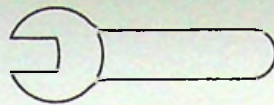




1



XM
100-000/2

1



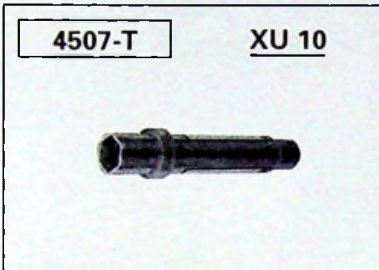
79-257



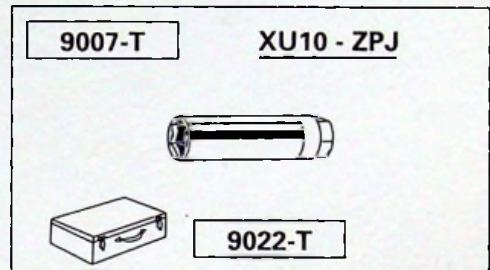
76-924



78-325



86-878



MR 630-12/53



90-809



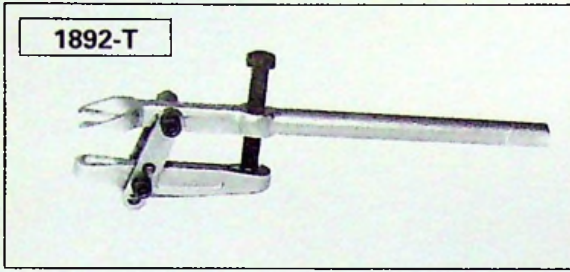
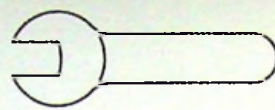
90-808



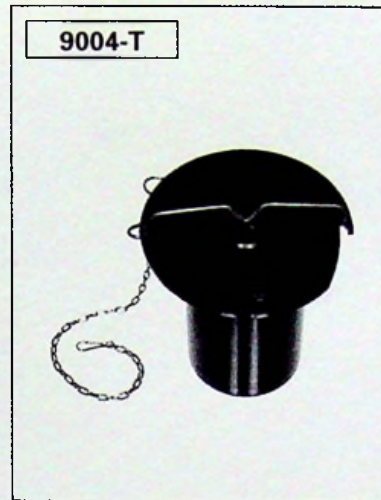
89-228



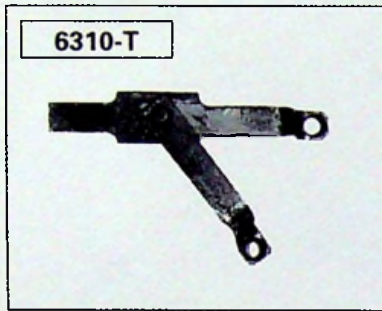
90-245



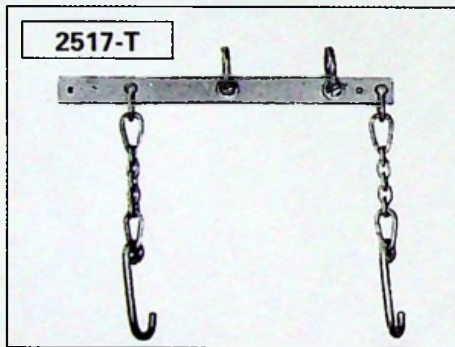
13-549



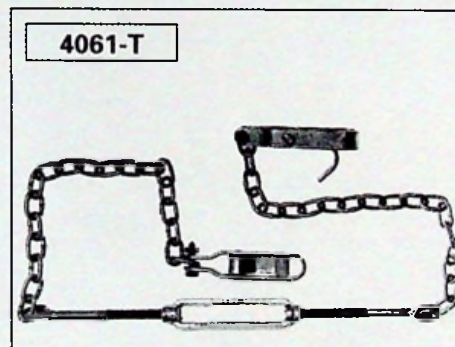
89-708



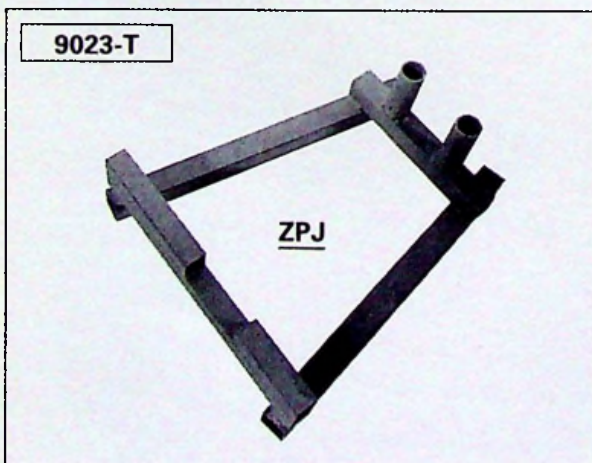
13-723



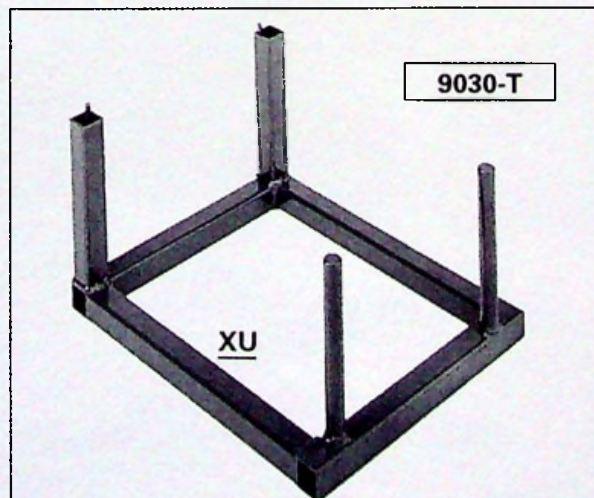
13-555



85-497



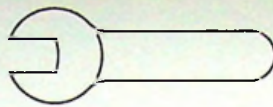
89-1412



90-1109

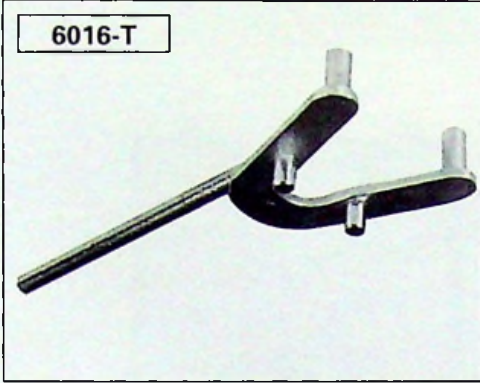


1

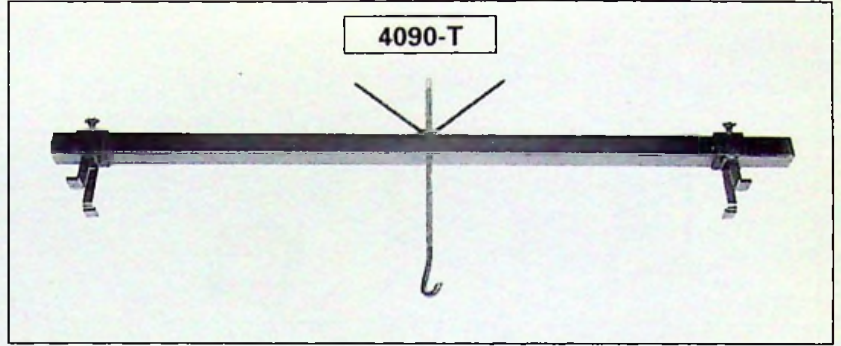


XM
100-000/2

3



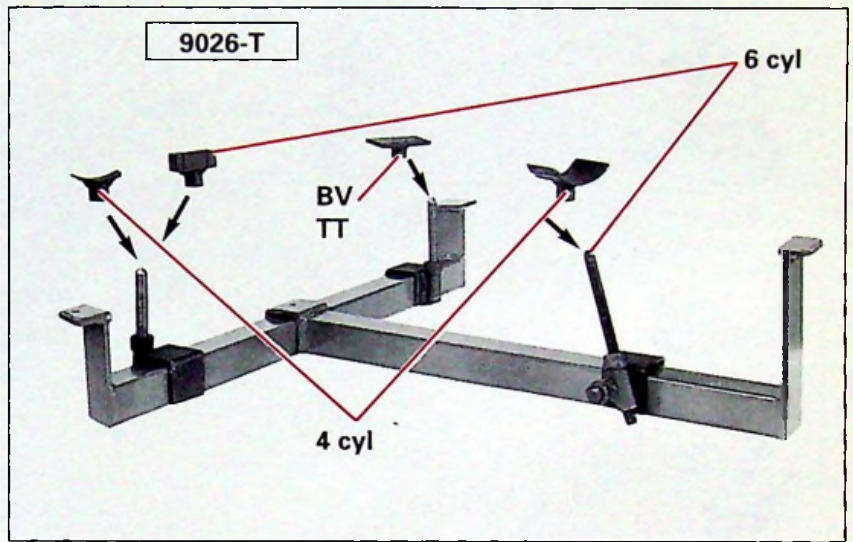
79-256



86-925



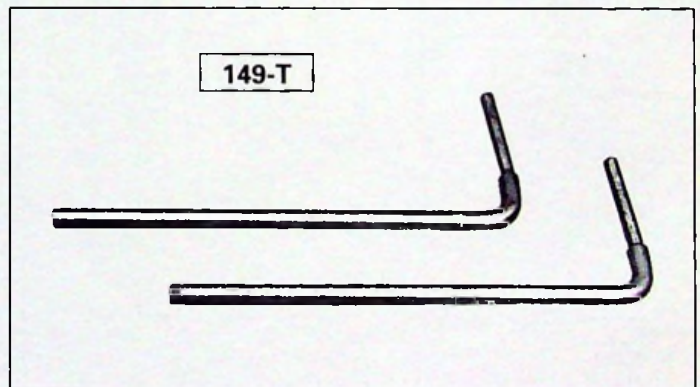
79-252



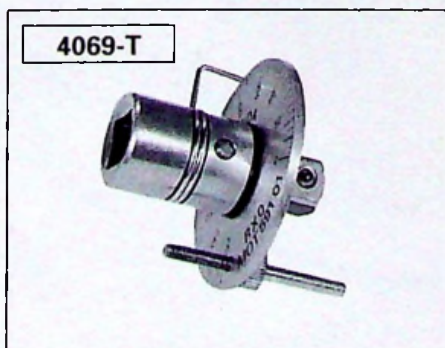
90-50



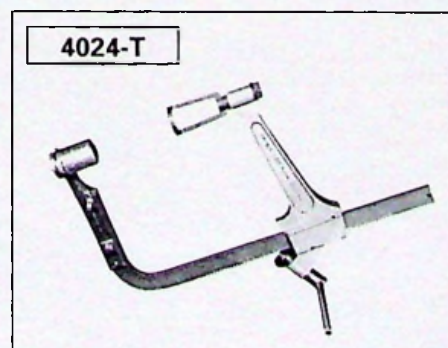
12-827



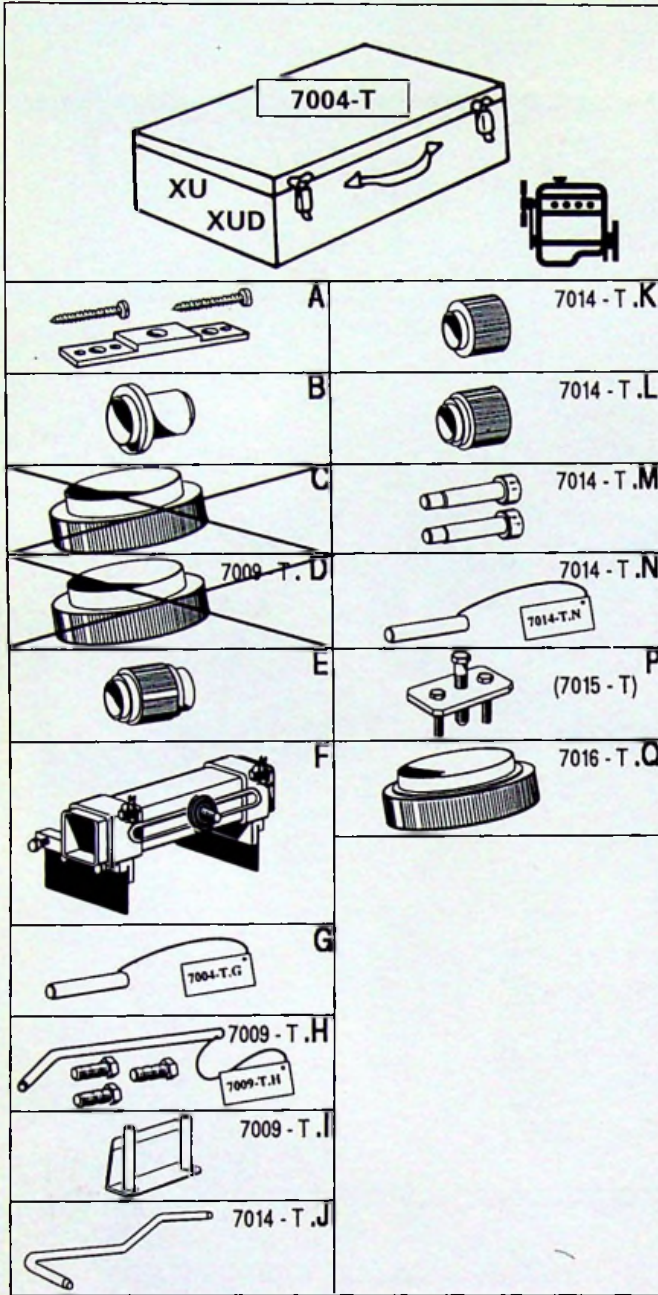
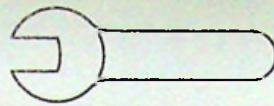
81-980



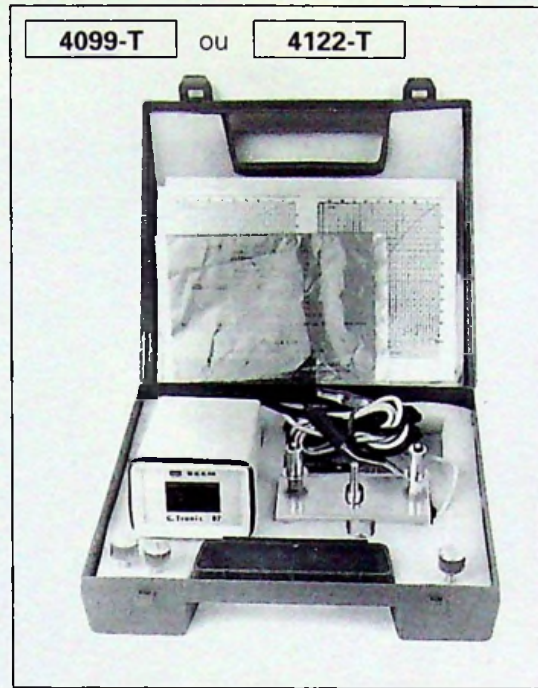
82-1983



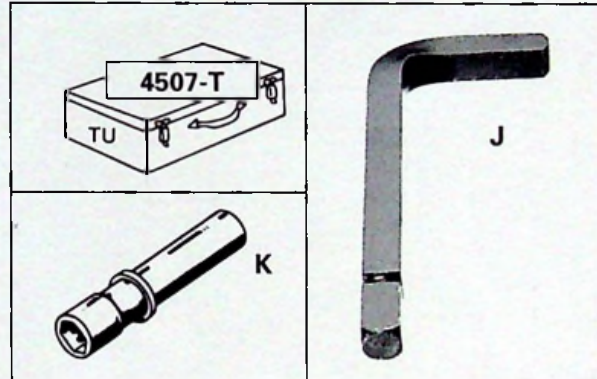
14-029



MR 630-34/63

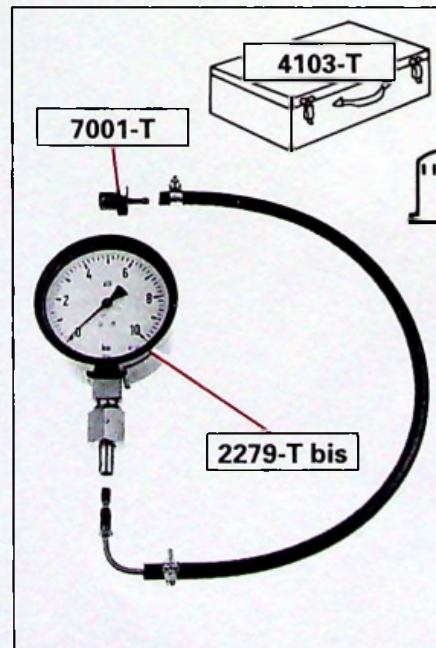


87-642



MR 630-69/24

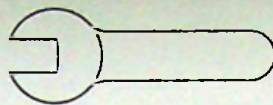
88-347-4



87-752



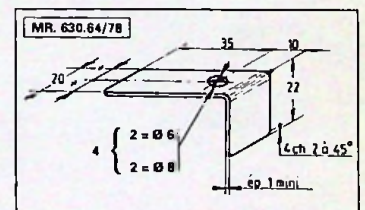
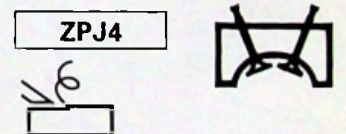
1



XM
100-000/2

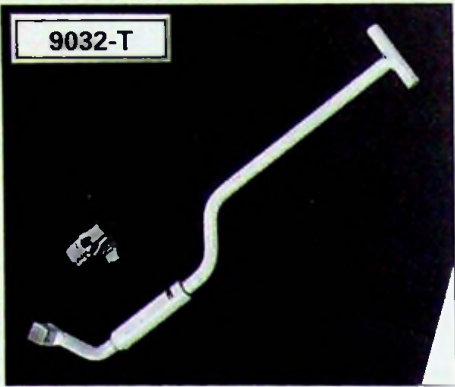
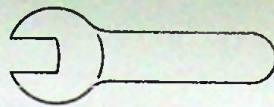
5

A1	H	S
A2	J	T
B	K	U
C	L	V
D	M (6012-T)	W
E	N (9007-T)	X
F	P	
G1	R	
G2		
G3		

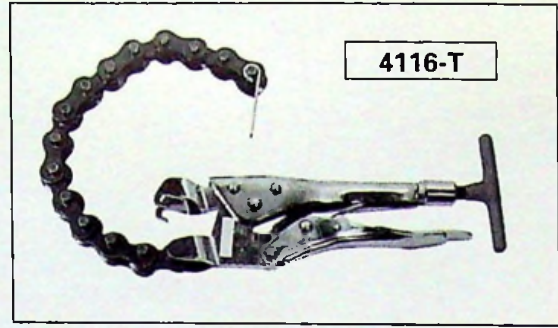


MR 630-69/29
ou 90-765

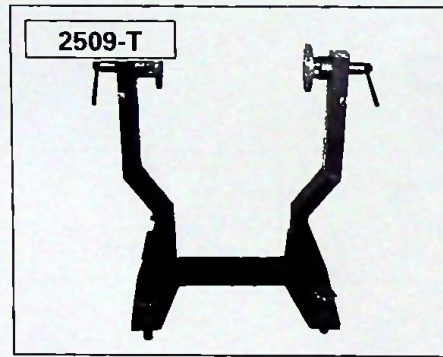




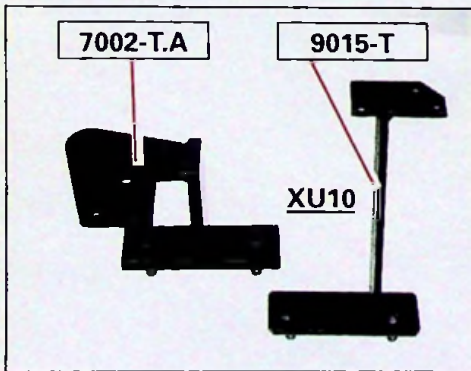
91-213



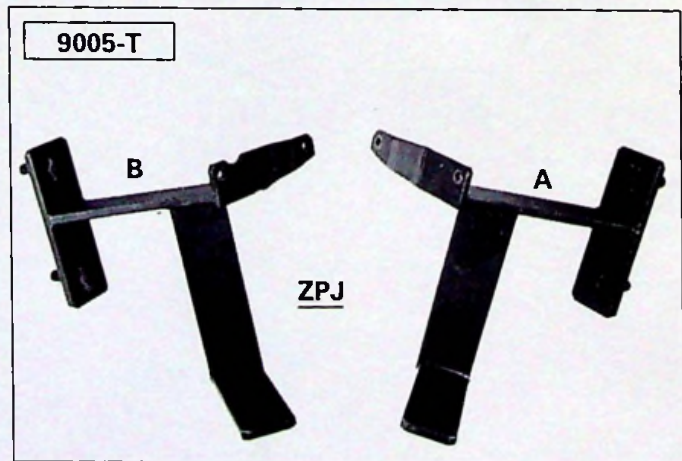
89-1624



12-612



89-707



89-1351