

ECLAIRAGE / SIGNALISATION
LIGHTING

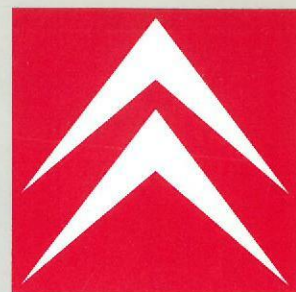
ILUMINACION / SEÑALIEACION

ILUMINAÇÃO / SINALIZAÇÃO

BELEUCHTUNG / FAHRTRICHTUNGSANZEIGE

ILLUMINAZIONE / SEGNALAZIONE

VERLICHTING / SIGNALISERING

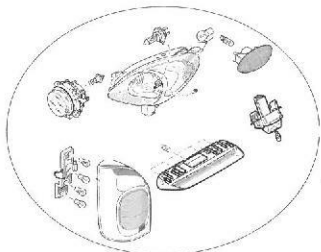


CAT. 14.780



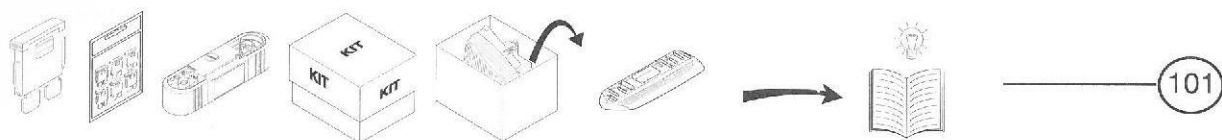
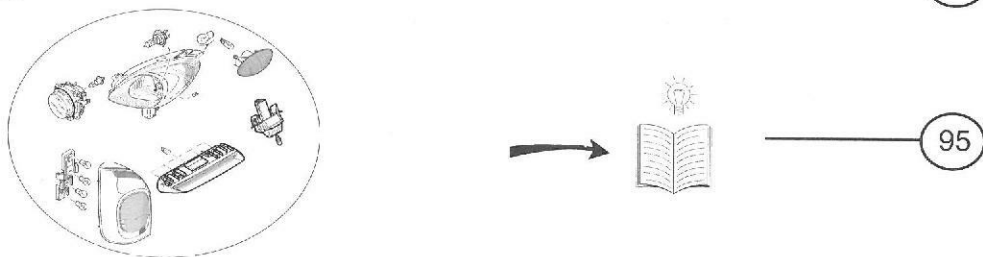
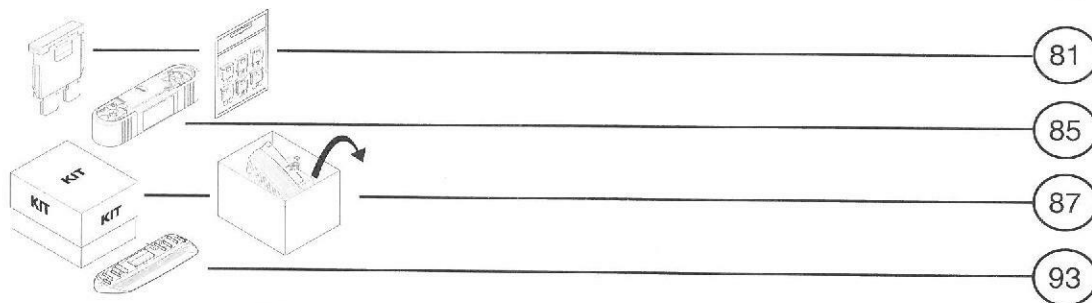
CITROËN

09/2003




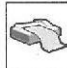



9

CITROËN AX	10
CITROËN SAXO	12
CITROËN C2	14
CITROËN C3	16
CITROËN C3 PLURIEL	18
CITROËN ZX	20
CITROËN XSARA → 27/08/2000	22
CITROËN XSARA 08/08/2000 →	24
CITROËN XSARA PICASSO	26
CITROËN BX	28
CITROËN XANTIA → 12/97	30
CITROËN XANTIA 12/97 →	32
CITROËN C5	34
CITROËN XM → 07/94	36
CITROËN XM 07/94 →	38
CITROËN C8	40
CITROËN EVASION	42
CITROËN C15	44
CITROËN BERLINGO (VP-VU)	46
CITROËN BERLINGO II (VP-VU)	48
CITROËN JUMPY	50
CITROËN JUMPER → 02/2002	52
CITROËN JUMPER 02/2002 →	54
CITROËN C25	56
2CV	58
AZU - AKS	60
DYANE	62
ACADIANE	64
MEHARI	66
LN - LNA	68
VISA	70
AXEL	72
GS - GSA	74
CX	76
C35	78

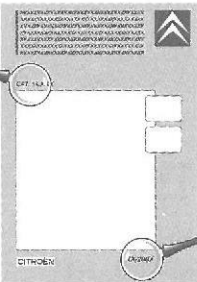




**FICHE QUALITE DES EDITIONS CATALOGUE PIECES AUTO
 AMENDMENT REQUEST QUALITY FORM PARTS CATALOGUE
 FICHA CALIDAD DE LAS EDICIONES CATALOGOS PIEZAS AUTO
 FICHA QUALIDADE EDIÇÕES CATÁLOGOS PEÇAS AUTO
 QUALITÄTS-DATENBLATT KATALOGAUSGABEN KFZ-TEILE
 SCHEDA QUALITÀ DELLE EDIZIONI CATALOGHI PEZZI AUTO
 KWALITEITSFICHE ONDERDELENCATALOGUS**


EXPEDITEUR / SENDER	DESTINATAIRE / RECIPIENT
SOCIETE / COMPANY :	CITROËN / DSPC / MKSP
NOM / NAME :	NOM / NAME : Didier PAPILLAUD
 _____	 01.58.79.73.95
 _____	 didier.papillaud@mpsa.com
 _____	

N° CAT 14.




. . . / 200 .

ANOMALIE / CORRECTION / ANOMALIA / ANOMALIA / ANOMALIEN / ANOMALIA / FOUNT



SUGGESTION / SUGGESTION / SUGERENCIA / SUGESTÃO / VORSCHLÄGE / SUGGERIMENTO / SUGGESTIE





VOCABULAIRE

GOLOSSARY - VOCABULARIO - VOCABULÁRIO

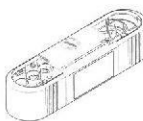
FACHBEGRIFFE - GLOSSARIO - WOORDENLÿST



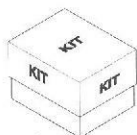
FUSIBLE
 FUSES
 FUSIBLE
 FUSÍVEL
 SICHERUNG
 FUSIBILE
 ZEKERING



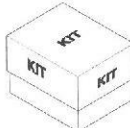
CARTE DE FUSIBLES
 FUSE CARD
 TARJETA DE FUSIBLE
 PLACA DE FUSÍVEL
 SICHERUNGSKARTE
 SCHEDE DI FUSIBILE
 ZEKERINGKAART



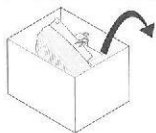
COFFRET DE LAMPES
 BULB KIT
 ESTUCHE DE LAMPARAS
 GLÜHLAMPENSET
 SCATOLA LAMPADIE
 KOFFERT JE MET
 RESERVELAMPEN



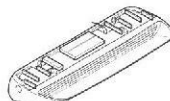
"ACCESSOIRIE" ANTI-BROUILLARD
 "ACCESSORY" FOG LAMPS
 "ACCESORIO" ANTINEBLA
 "ACESORIO" ANTI-NEVOEIRO
 "ZUBEHÖR" NEBELLEUCHTE
 "ACCESSORIO" ANTINEBBIA
 "ACCESSOIRIE" BREEDSTRALER



"ACCESSOIRIE" LONGUE PORTEE
 "ACCESSORY" DRIVING LAMPS
 "ACCESORIO" LARGO DISTANCIA
 "ACESORIO" LONGO ALCANCE
 "ZUBEHÖR" FERNSCHEINWERFER
 "ACCESSORIO" LUNGA PORTATA
 "ACCESSOIRIE" VERSTRALER



DETAILS DE KIT ANTIBROUILLARD OU LONGUE POTTEE
 DRIVING LAMP FITTING KIT
 DESPIECES DE KIT ANTINEBLA O LANGA DISTONCIA
 DETALHES DO KIT FARIOS NEVOEIRO OU LONGO ALCANCE
 EINZELTILE AUS NEBELLEUCHTEN ODER FERNSCHEINWERFERSATZ
 DETTAGLIO DEL KIT ANTINEBBIA O LUNGA PORTAT
 LOSSE DELEN VOOR BREEDSTRALERSSET OF VERSTRALER




FEU DE STOP CENTRAL "ACCESSOIRIE"
 HIGH MOUNT STOP LAMP "ACCESSORY"
 LUZ DE FRENO CENTRAL "ACCESORIO"
 LUZ DE TRAVAGEN CENTRAL "ACESORIO"
 BREMSLEUCHTE - MITTENLEUCHTE "ZUBEHÖR"
 FANALE TERZA LUCE STOP "ACCESSORIO"
 DERDE REMLICHT MONTAGE "ACCESSOIRIE"

VOCABULAIRE

GOLOSSARY - VOCABULARIO - VOCABULÁRIO

FACHBEGRIFFE - GLOSSARIO - WOORDENLYST

(F)	(GB)	(E)	(P)	(D)	(I)	(NL)
AMBRE	AMBER	AMBAR	ÃMBAR	BERNSTEINFARBEN	AMBRA	AMBER
A AMPERE	AMPERE	AMPERIOS	AMPERE	AMPERE	AMPERE	AMPERE
BL BERLINE	SALOON	BERLINA	BERLINE	LIMOUSINE	BERLINA	BERLINE
BLOC OPTIQUE	LIGHT UNIT	BLOQUE OPTICO	OPTICA	LEUCHTEINHEIT	BLOCCO OTTICO	KOPLAMP
BLOC OPTIQUE SANS LAMPE	LIGHT UNIT WITHOUT BULB	BLOQUE OPTICO SIN LAMPARA	OPTICA SEM LAMPADA	LEUCHTEINHEIT OHNEGLÜHLAMPE	BLOCCO OTTICO SENZA LAMPADA	KOPLAMP ZONDER LAMP
BOITIER D	RH HOUSING	CAJA DERECHO	CAIXA D	GEHÄUSE RECHTS	SCATOLA DESTRA	HUIS R.
BOITIER G	LH HOUSING	CAJA IZQUIERDO	CAIXA G	GEHÄUSE LINKS	SCATOLA SINISTRA	HUIS L.
BK BREAK	ESTATE	BREAK	BREAK	KOMBI	BREAK	BREAK
CAD CONDUITE A DROITE	RIGHT HAND DRIVE	CONDUCCION A DERECHAS	CONDUÇÃO À DIREITA	RECHTSLENKUNG	GUIDA A DESTRA	RECHTSE BESTURING
CAG CONDUITE A GAUCHE	LEFT HAND DRIVE	CONDUCCION A IZQUIERDAS	CONDUÇÃO À ESQUERDA	LINKSLENKUNG	GUIDA A SINISTRA	LINKSE BESTURING
D DROIT	RIGHT	DERECHO	DIREITO	RECHTS	DESTRO	RECHTS
ECLAIRAGE BLANC	WHITE LIGHTING	LUZ BLANCA	ILUMINAÇÃO BRANCA	BELEUCHTUNG WEISS	LUCE BIANCA	VERLICHTING WIT
ECLAIRAGE JAUNE	YELLOW LIGHTING	LUZ AMARILLA	ILUMINAÇÃO AMARELA	BELEUCHTUNG GELB	LUCE GIALLA	VERLICHTING GEEL
 ELECTRIQUE	ELECTRIC	ELECTRICO	ELECTRICO	ELEKTRISCH	ELETTRICO	ELECTRISCH
FAISCEAU INTERRUPTEUR A RELAIS	SWITCH TO RELAY HARNES	CABLERIA DE INTERRUPTOR A RELE	INSTALAÇÃO INTERRUPTOR E RELAIS	VERBINDUNGSKABEL SCHALTER ZUM RELAI	FASCIO INTERRUPTORE A RELE	KABELBUNDEL VAN SCHAKELAAR NAAR RELAIS
G GAUCHE	LEFT	IZQUIERDO	ESQUERDO	LINKS	SINISTRO	LINKS
INTERRUPTEUR	SWITCH	INTERRUPTOR	INTERRUPTOR	SCHALTER	INTERRUPTORE	SCHAKELAAR
KIT COMPLET	COMPLETE KIT	KIT COMPLETO	KIT COMPLETO	SATZ KOMPLETT	INSIEME COMPLETO	SET KOMPLEET
LAMPE	BULB	LAMPARA	LAMPADA	GLÜHLAMPE	LAMPADA	LAMP
LOT D'OBTURATEUR	SET OF BLANKING PLUGS	LOTE DE OBTURADORES	LOTE DE OBTURADORES	SATZ ABDECKUNGEN	SERIE OTTURATORI	SET STOPPEN

VOCABULAIRE

GOLOSSARY - VOCABULARIO - VOCABULÁRIO

FACHBEGRIFFE - GLOSSARIO - WOORDENLYST

(F)	(GB)	(E)	(P)	(D)	(I)	(NL)
NECESSAIRE COMPLET	COMPLETE FITTING KIT	NECESER COMPLETO	NECESSARIO COMPLETO	NECESSAIRE KOMPLETT	NECESSARIO COMPLETO	BEVESTIGNSSET
OBTURATEUR VERSION X	BLANKING PLUG LEVEL X	OBTURADOR VERSION X	OBTURADOR VERSÃO X	STOPFEN VERSION X	OTTURATORE VERSIONE X	STOP NIVEAU X
PROJECTEUR D	RH LAMP	FARO DERECHO	PROJECTOR D	SCHEINWERFER LINKS	PROIETTORE DESTRO	KOPLAMP R.
PROJECTEUR G	LH LAMP	FARO IZQUIERDO	PROJECTOR G	SCHEINWERFER RECHTS	PROIETTORE SINISTRO	KOPLAMP L.
RELAIS	ELECTRIC	RELE	RELAIS	SCHALTRELAIS	RELE	ELEKTRISCH
ELECTIRQUE FINITION X	RELAY LEVEL X	ELECTRICO TERMINACION X	ELECTRICO ACABAMENTO X	AUSSTATTUNG X	ELETTRICO FINITURA X	RELAIS AFWERKING X
SAUF	EXCEPT	SALVO	SALVO	AUSSER	SALVO	BEHALVE
SAUF AVEC	EXCEPT WITH	SALVO CON	SALVO COM	AUSSER	SALVO CON	BEHALVE
VITRE AR DE CONFORT	COMFORT WINDOW	LUNA SEPARACION TRASERA DE CONFORT	VIDRO TRASEIRO AQUECIDO	TRENNSCHEIBE HINTEN	DOPPIO VETRO POSTERORE	TOCHTRUIT
S'INTEGRE DANS LE BECQUET INFERIEUR	INTERGRATED INTO SPOILER	SE INTEGRA EN EL DEFLECTOR INFERIOR	A INTEGRAR NO AILERON INFERIOR	INTEGRIET IM UNTEREN SPOILER	SI INTEGRA NELLO SPOILER INFERIORE	GEINTEGREERD IN KOFFERSPOILER
SUPPORT INTERRUPTEUR VERSION X	SWITCH SUPPORT LEVEL X	SOPORTE INTERRUPTOR VERSION X	SUPORTE INTERRUPTOR ACABAMENTO X	SCHALTERTRÄGER VERSION X	SUPPORTO INTERRUPTORE VERSIONE X	SCHAKELAARS -TEUN X

R2 Visio	R2	H1 Spot	H2	H3	H4	H7	D1S	D2R	H21W	P21W	PY21W	P21/4W
CE	CE	(55W)	(55W)	(55W)	(60/55W)	(55W)	"Xénon"	"Xénon"	(21W)	(21W)	(21W)	P21/5W
6371 45 "Visio" 9485 02 NFP "Haloroad"	6216 41 * 6216 42 ** NFP	6216 47	6216 39	6216 33	6216 30 * 6216 43 ** NFP 9485 03 NFP "Allseason"	6216 56	6216 66	6216 58	6372 35	6216 27	6216 31 (ambre) 6216 59 "DIADEM"	6216 52 (4W) 6216 28 (5W)

R5W	R10W	W5W	WY5W	T2W	T4W	T5W	T10/2W	T10/3W	T10 Xénon	Diode	C3W/C4W	C5W/C7W	W1,2
(5W)	(10W)	(5W)	(5W)	(2W)	(4W)	(5W)	T10/2W	T10/3W	(6W)	(21W)	C3W/C4W	C5W/C7W	(1,2W)
6216 26	6216 40	6216 32	6371 49	6216 38	6216 25	6216 44	6216 35 (2W) 6216 34 (3W)	6216 34 (3W)	6216 50	6216 40	6216 45 (3W) 6216 36 (4W) 6216 29 (5W) 6216 37 (7W)	6216 48	6216 48

* BLANC - WHITE - BLANCA - BRANCA - WEISS - BIANCO - WIT

** JAUNE - YELLOW - AMARILLA - AMARELA - GELB - GIALLO - GEEL

AMBRE - AMBER - AMBAR - ÁMBAR - BERNSTEINFARBEN - AMBRA - AMBER



FEUX DE CROISEMENT
DIPPED BEAMS
LUCES DE CRUCE
FAROS DE MEDIOS
ABBLENDLICHT
ANABBAGLIANTE
GEDIMD GROOTLICHT



INDICATEUR DE DIRECTION GAUCHE
LEFT INDICATOR
INDICADOR DE DIRECCION IZQUIERDO
INDICADOR DE DIREC"O EZQUERDA
BLINKER LINKS
INDICATORE DIREZIONE SINISTRO
KNIPPERLICHT LINKS



FEU DE STOP
BRAKE LIGHTS
LUCES DE STOP
FAROS DE STOP
STOPLEUCHTE
FANALE STOP
REMLICHT



ECLAIRAGE PLAQUE DE POLICE
NUMBER PLATE LIGHTING
LUZ PLACA MATRICULA
LUZ DA CHAPA DE MATRICULA
KENNZEICHENLEUCHTE
ILLUMINAZIONE TARGA
KENTEKENPLAATVERLICHTING



FEUX DE ROUTE
MAIN BEAM(S)
LUCES DE CARRETERA
FAROS DE LONGO ALCANCE
FERNLICHT
PROIETTORE
GROOTLICHT



INDICATEUR DE DIRECTION DROIT
RIGHT INDICATOR
INDICADOR DE DIRECCION DERECHO
INDICADOR DE DIREC"O DIREITO
BLINKER RECHTS
INDICATORE DIREZIONE DESTRO
KNIPPERLICHT RECHTS



FEUX ANTIBROUILLARD AVANT
FRONT FOG LIGHTS
LUCES ANTINEBLA DELANTERAS
FAROS DE NEVOEIRO DA FRENTE
NEBELLEUCHTE VORN
FARO ANTINEBBIA ANTERIORE
BREEDESTRALERS VOOR



FEUX DE POSITION
SIDE LIGHTS
LUCES DE POSICION
FAROS MINIMOS
STANDLICHT
LUCE DI POSIZIONE
PARKEERLICHT



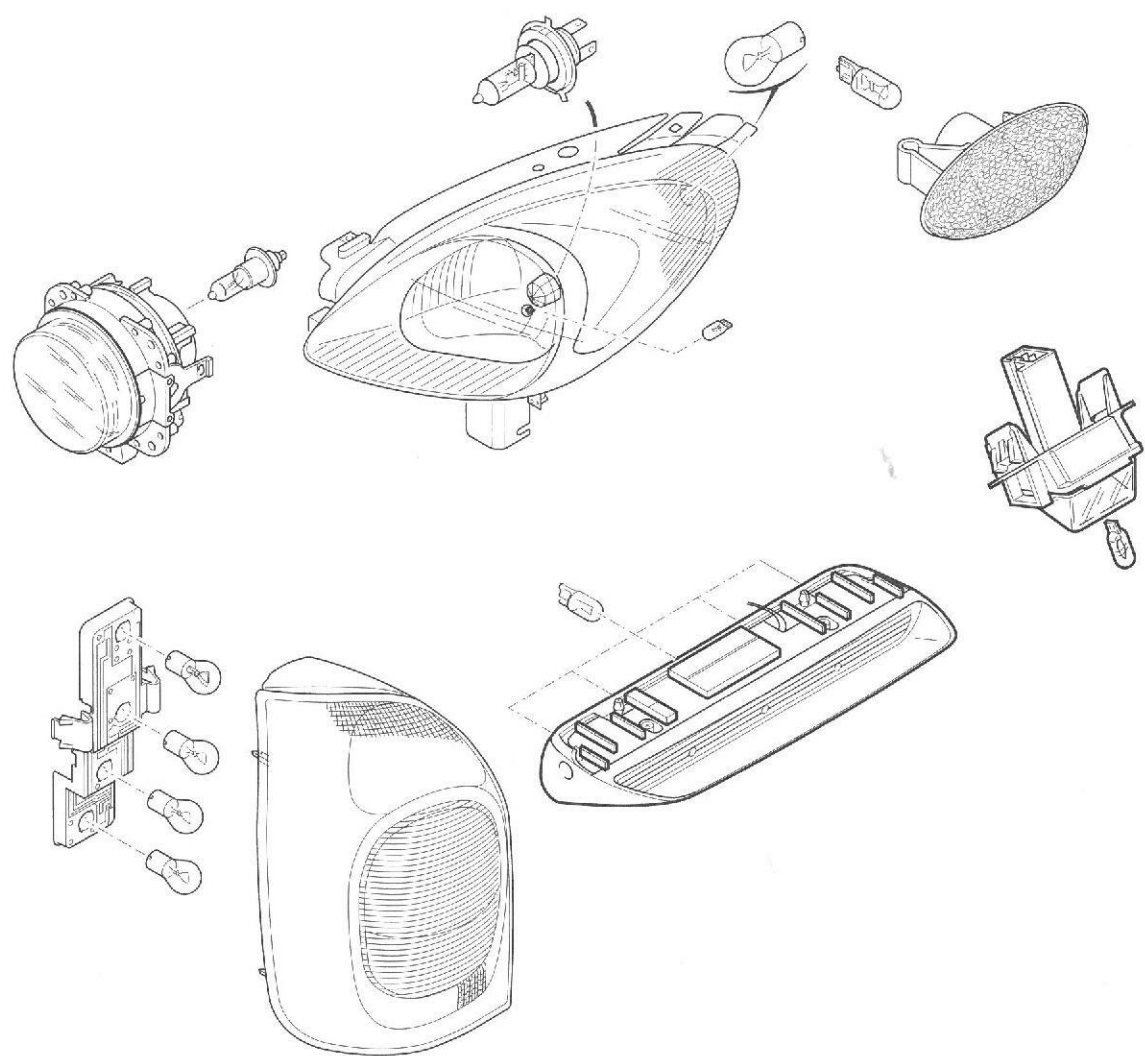
FEUX ARRIERE DE BROUILLARD
REAR FOG LIGHTS
LUCES TRASERAS DE NIEBLA
FAROS TRASEIROS DE NEVOEIRO
NEBELR"CKLEUCHTE
FANALE NEBBIA POSTERIORE
MISTLAMPEN ACHTER



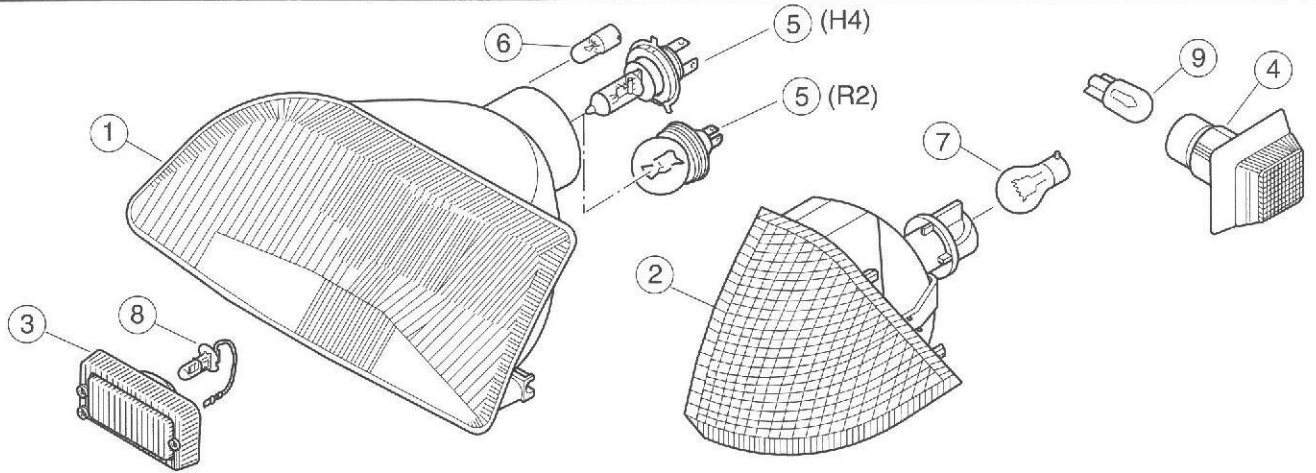
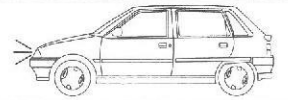
FEUX DE RECUL
REVERSING LIGHTS
LUCES DE MARCHA ATRAS
FAROS DE MARCHA-ATRAS
R"CKFAHRLEUCHTE
FANALE RETROMARCIA
ACHTERUITRIJLAMPEN



FEUX DE STOP SUPPLEMENTAIRE
ADDITIONAL BRAKING LIGHT
LUCES DE STOP SUPPLEMENTARIAS
FAROL STOP SUPPLEMENTAR
ZUSATZSTOPLEUCHTE
FANALE STOP SUPPLEMENTARE
DERDE REMLICHT



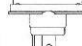


CITROËN AX




D	1
95 625 003 (a) (CAG)	
95 618 748 (b) (CAG)	
95 618 746 (CAD)	

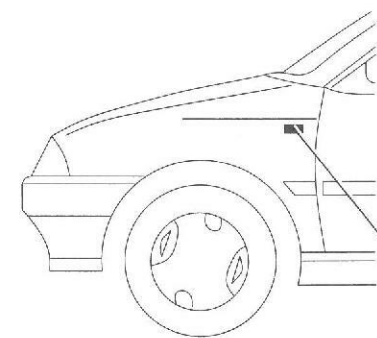
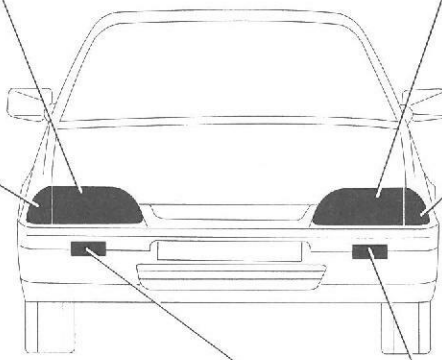
G	1
95 625 002 (a) (CAG)	
95 618 749 (b) (CAG)	
95 618 747 (CAD)	

G/D	5	G/D	6
 R2 6216 42 ** NFP 6216 41 *		 W5W 6216 32	
 H4 6216 43 ** NFP 6216 30 *			

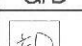
D	2
95 619 021 (a) → 04/91	
95 643 742 (b) → 04/91	
95 659 628 (c) 04/91 →	
95 659 636 (d) 04/91 →	

G	2
95 619 020 (a) → 04/91	
95 643 741 (b) → 04/91	
95 659 627 (c) 04/91 →	
95 659 635 (d) 04/91 →	


G/D	7
 P21W 6216 27 → 04/91 PY21W 6216 31 04/91 →	



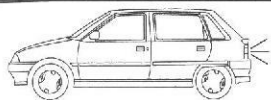
G/D	3
95 619 508 ** SPORT - GT → 04/91	
95 619 509 * SPORT - GT → 04/91	
95 624 928 ** GT GTI 04/91 →	
95 624 929 * GT GTI 04/91 →	

G/D	8
 H3 6216 33	

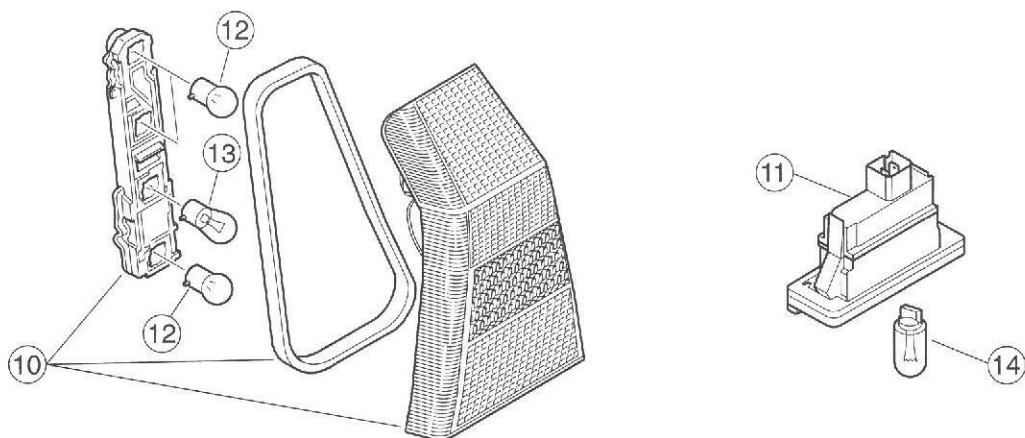
G/D	4
6325 59	

G/D	9
 W5W 6216 32	

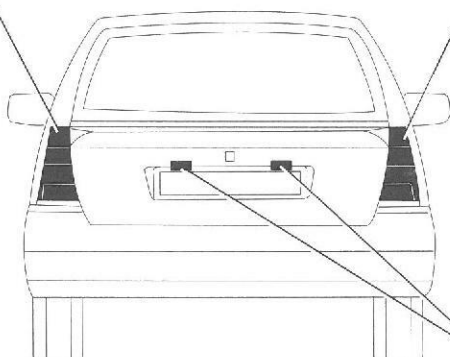
*BLANCHE - WHITE - BLANCA - BRANCA - WEISS - BIANCO - WIT
 **JAUNE - YELLOW - AMARILLA - AMARELA - GELB - GIALLO - GEEL
 (a) SEIMA
 (b) CIBIE
 (c) VALEO (SIGNALIS)
 (d) MARTOS







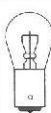
CITROËN AX



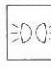
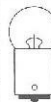
G	10
	95 659 631 (CAG)
	95 659 633 (CAD)


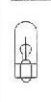


D	10
	95 659 632 (CAG)
	95 659 634 (CAD)

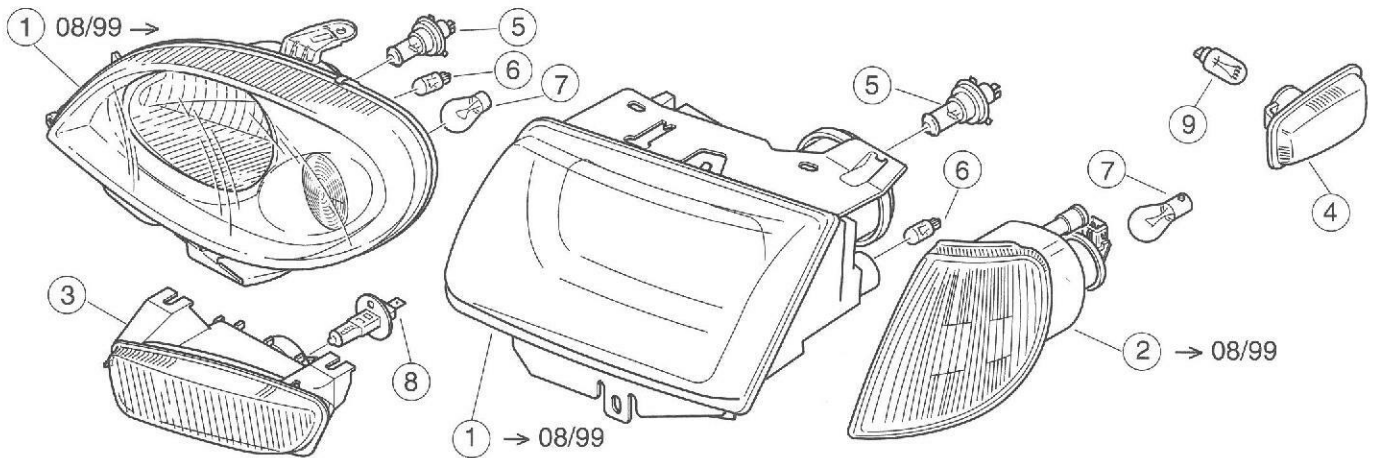
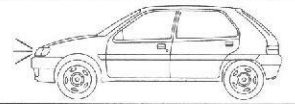
G/D	12
	  
	
	P21W 6216 27 → 04/91 PY21W 6216 31 04/91 →

G/D	11
	6340 98 → 04/91
	6340 87 04/91 →

G/D	13
	R5W 6216 26
	

G/D	14
	T4W 6216 25
	

CITROËN SAXO



D	1
6205 N5	
(CAG) → 08/99	
6205 W2	
(CAG) 08/99 →	
6205 N9	
(CAD) → 08/99	
6205 W3	
(CAD) 08/99 →	

G	1
6204 N5	
(CAG) → 08/99	
6204 W2	
(CAG) 08/99 →	
6204 N9	
(CAD) → 08/99	
6204 W3	
(CAD) 08/99 →	

G/D	5	G/D	6
H4		W5W	
6216 30		6216 32	

D	2
6303 60	
→ 08/99	

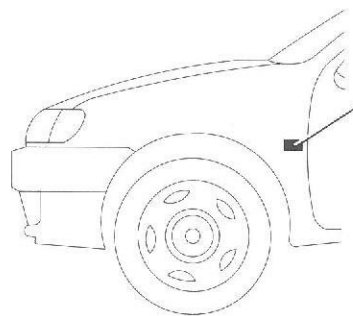
G	2
6303 59	
→ 08/99	

G/D	7
PY21W	
6216 31	

D	3
6205 N6	

G	3
6204 N6	

G/D	8
H1	
6216 47	

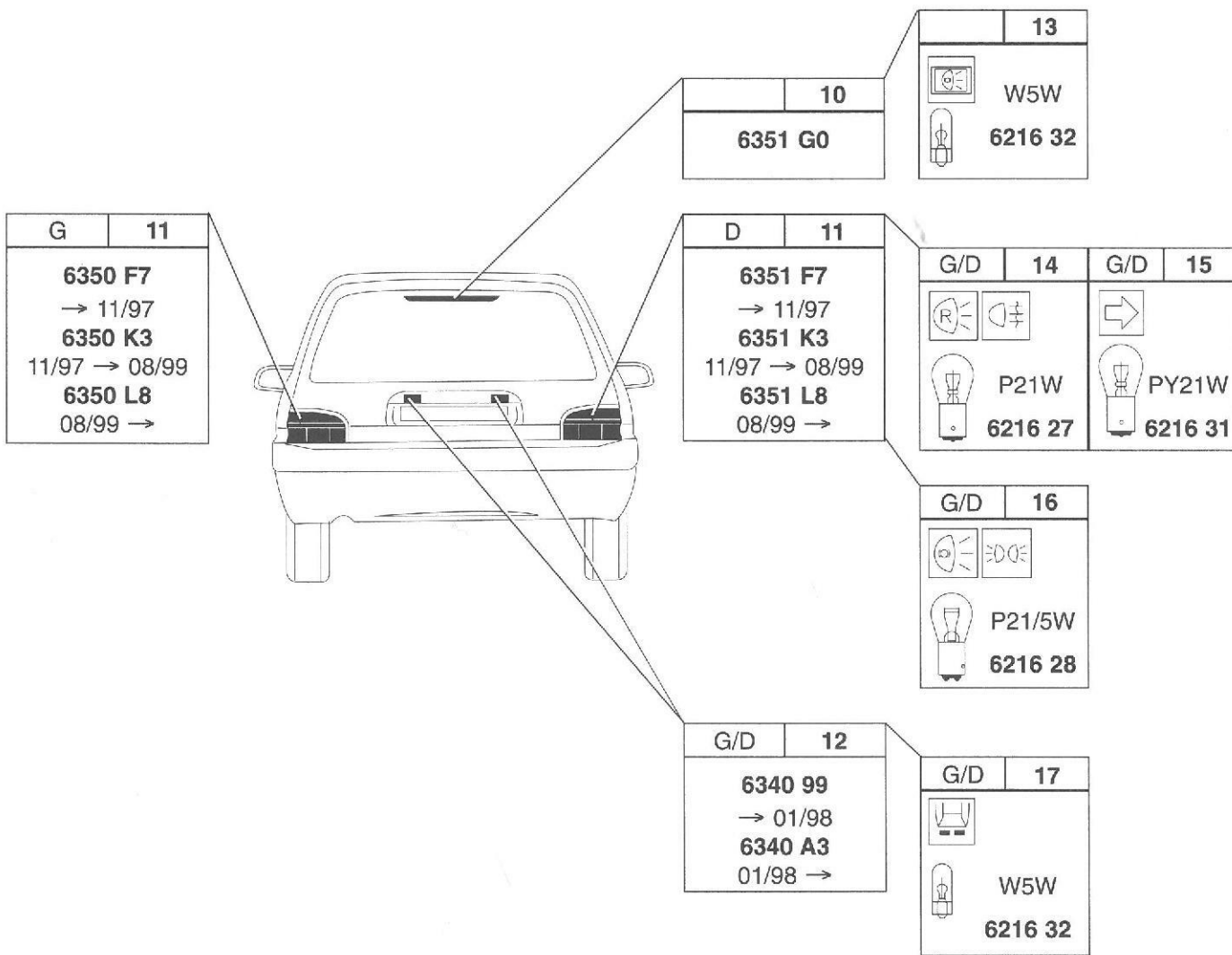
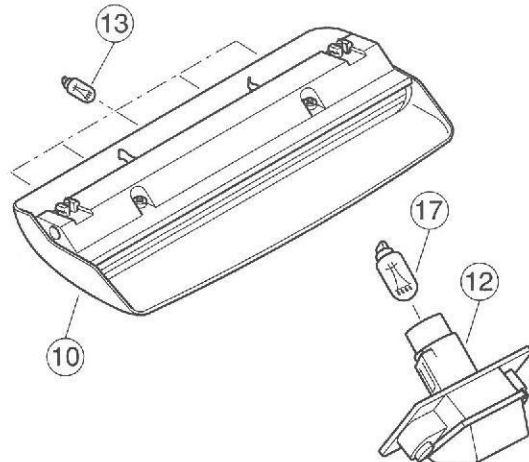
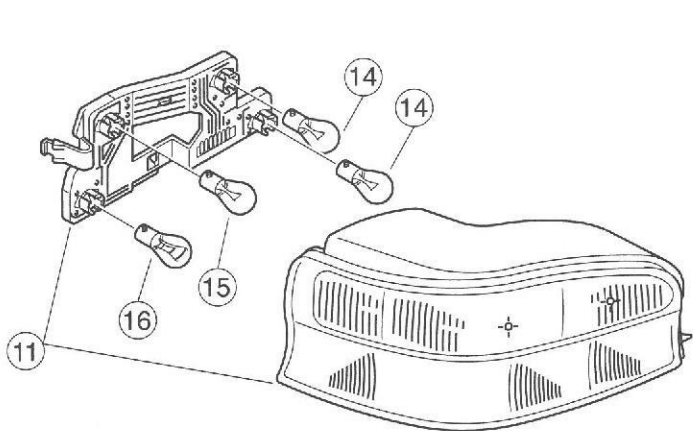


G/D	4
6325 45	
→ 05/98	
6325 62	
05/98 → 11/98	
6325 67	
11/98 →	

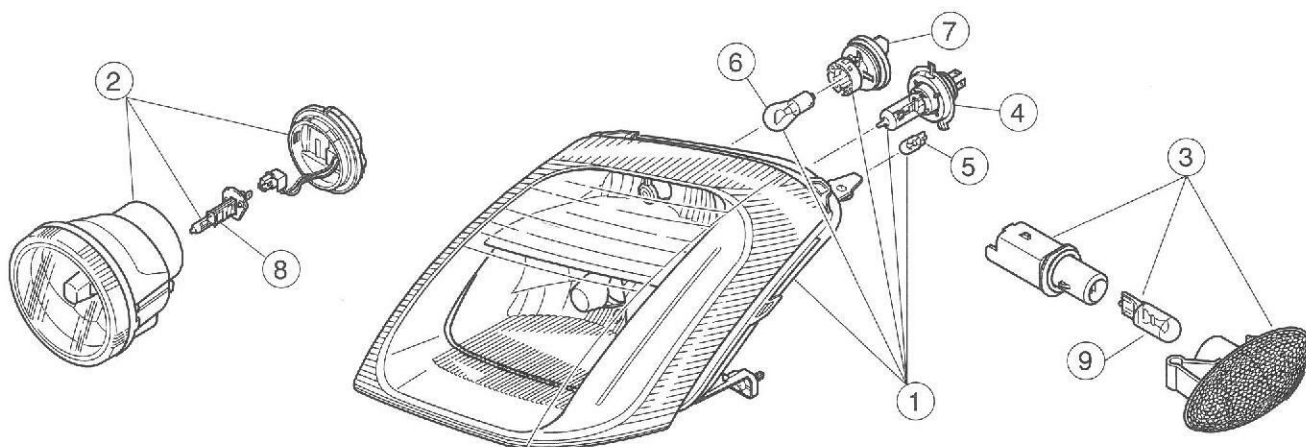
G/D	9
W5W	
6216 32	
→ 05/98	
WY5W	
6371 49	
05/98 →	



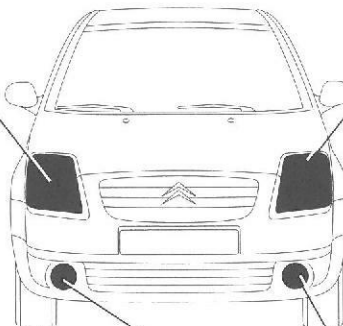
CITROËN SAXO



CITROËN C2



D	1
6205 ZW (CAG) 6205 ZX (CAD)	
	7
6215 55	



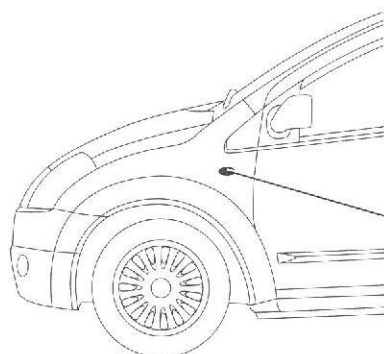
G	1
6204 ZW (CAG) 6204 ZX (CAD)	
	7
6215 55	

G/D	4	G/D	5
H4		W5W	
6216 30		6216 32	

G/D	6
PY21W	
6216 31	

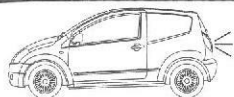
G/D	2
6204 Q0	

G/D	8
H1	
6216 47	

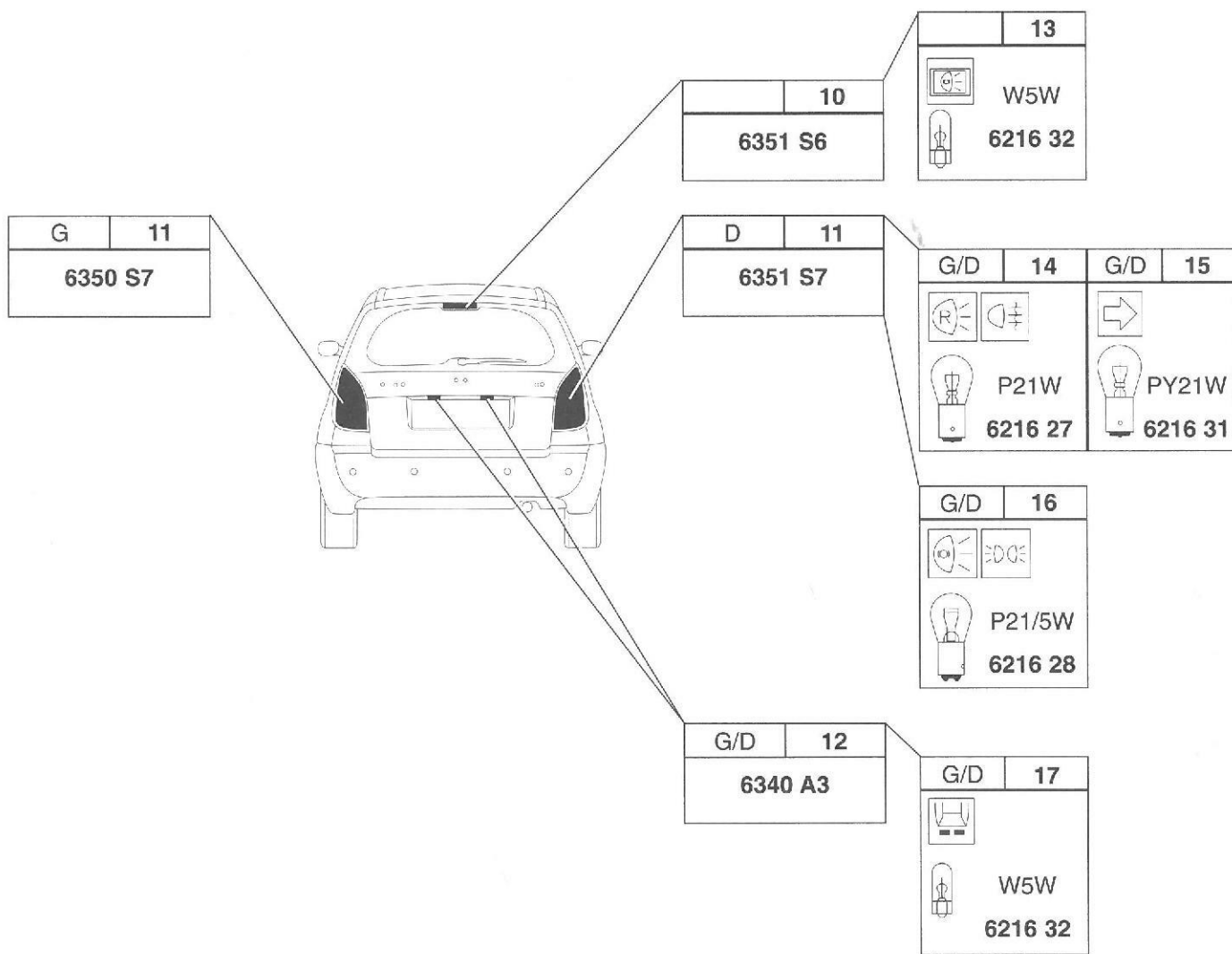
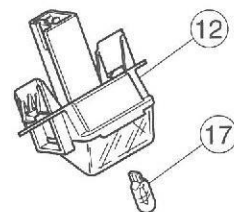
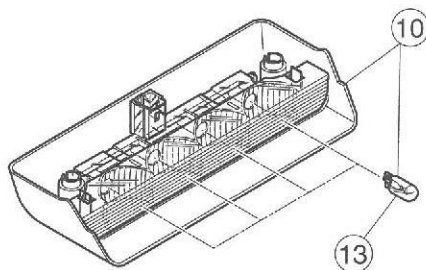
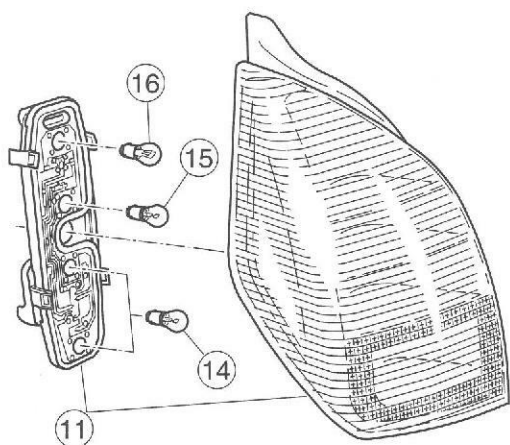


G/D	3
6325 74	

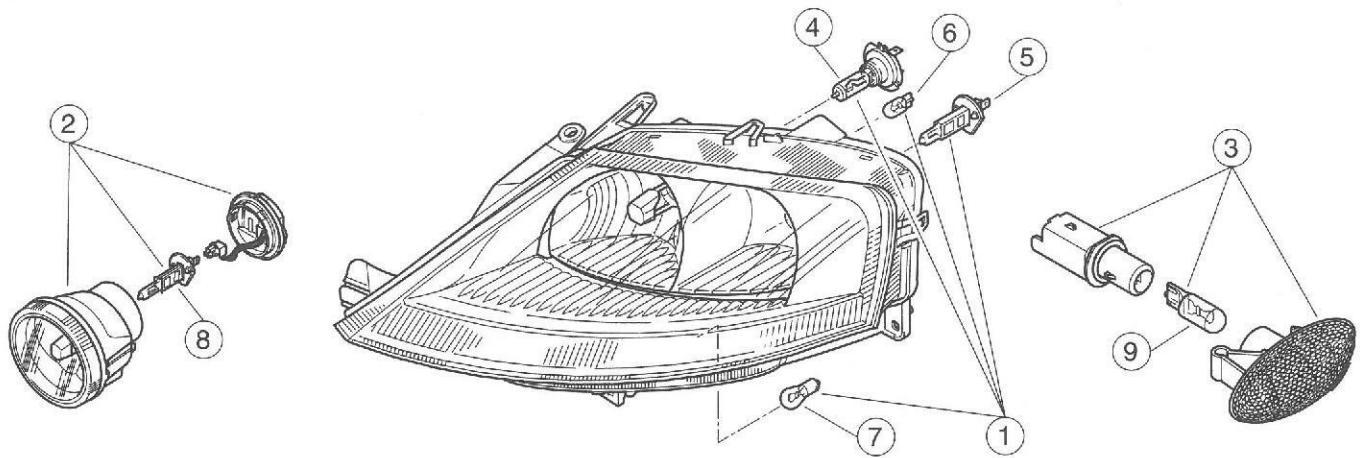
G/D	9
WY5W	
6371 49	



CITROËN C2



CITROËN C3

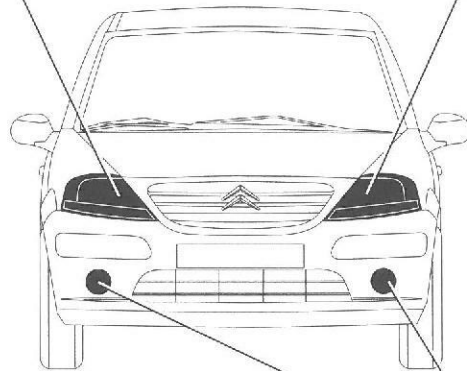


D	1
6205 Z6 (CAG)	
6205 Z7 (CAD)	

G	1
6204 Z6 (CAG)	
6204 Z7 (CAD)	

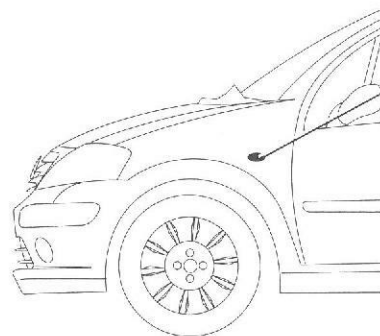
G/D	4	G/D	5
H7		H1	
6216 56		6216 47	

G/D	6	G/D	7
W5W		P21W	
6216 32		6216 27	



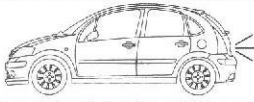
G/D	2
6204 Q0	

G/D	8
H1	
6216 47	

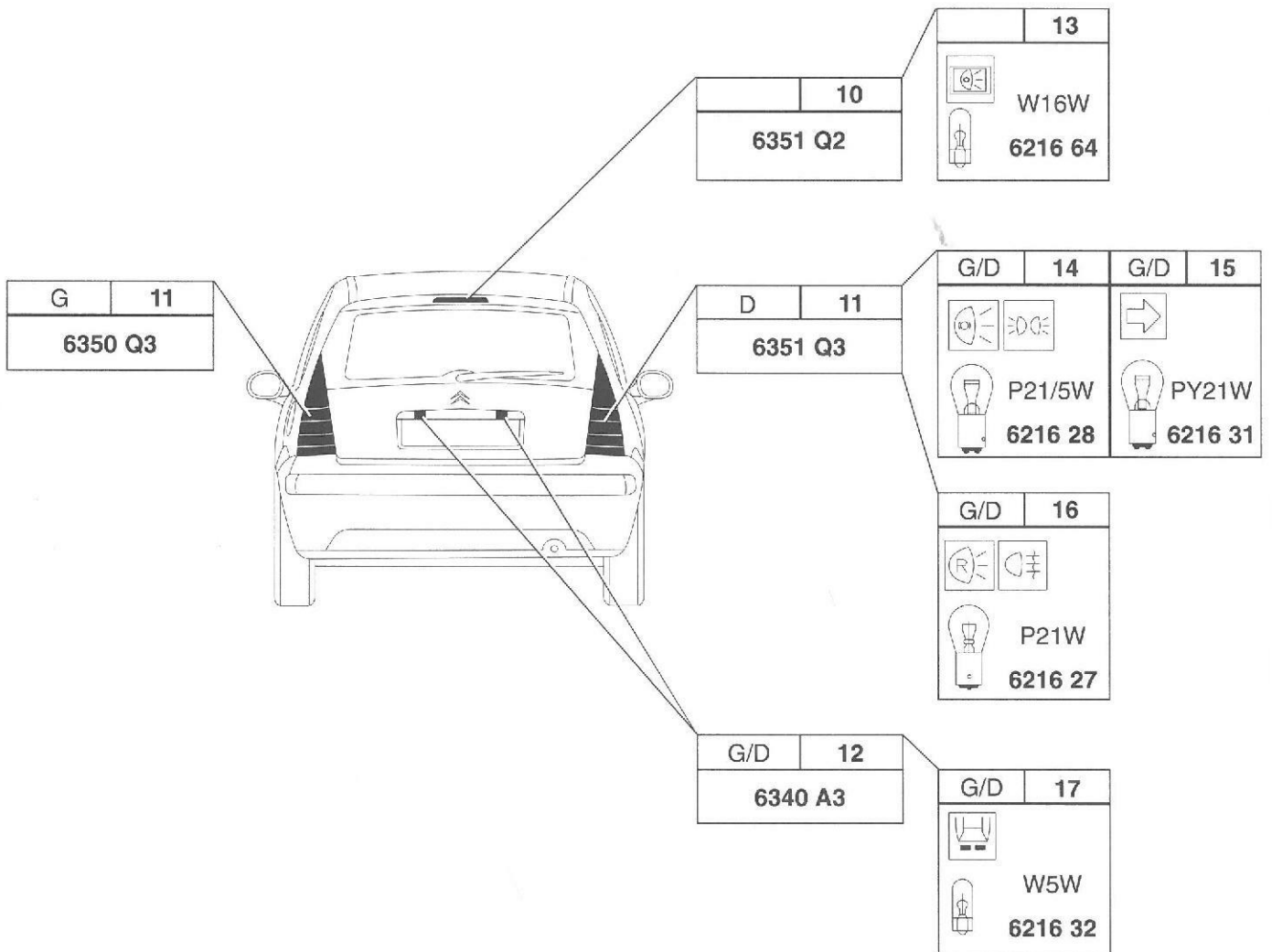
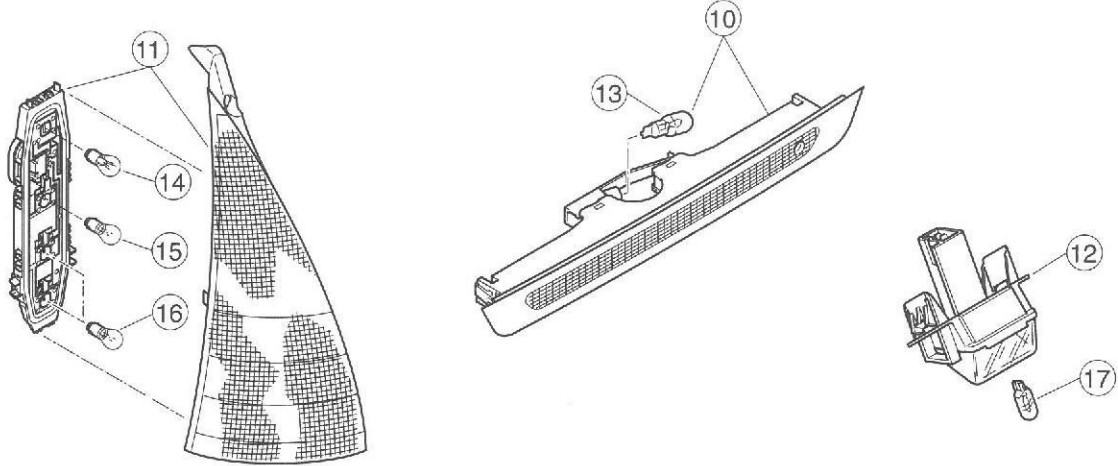


G/D	3
6325 74	

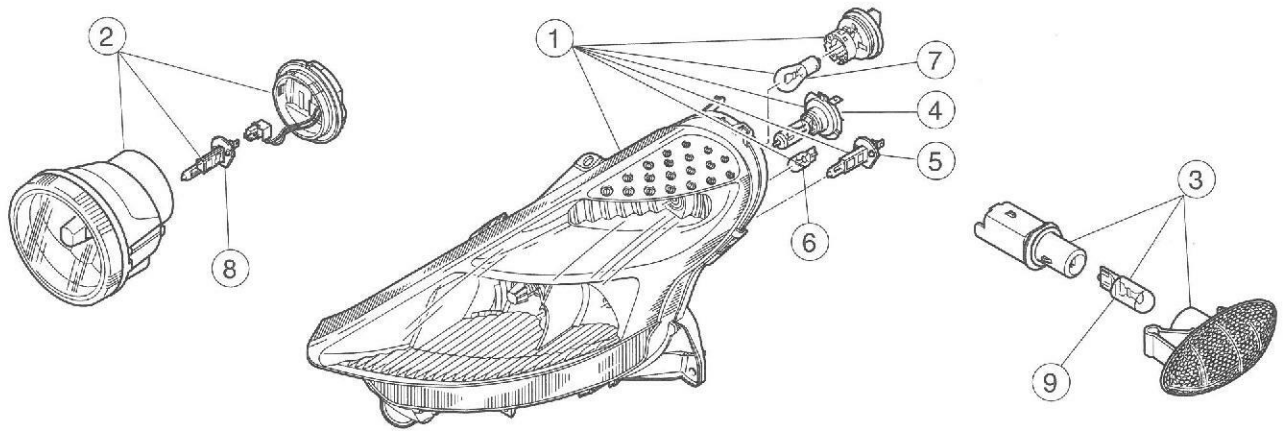
G/D	9
WY5W	
6371 49	



CITROËN C3

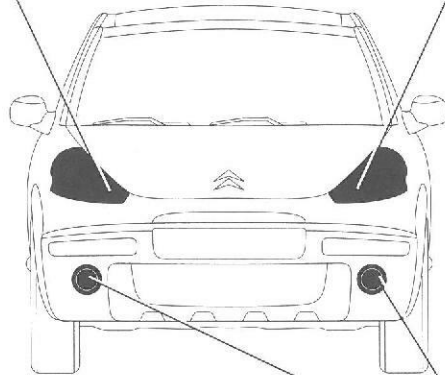


CITROËN C3 PLURIEL



D	1
6205 ZL (CAG)	
6205 ZN (CAD)	

G	1
6204 ZL (CAG)	
6204 ZN (CAD)	

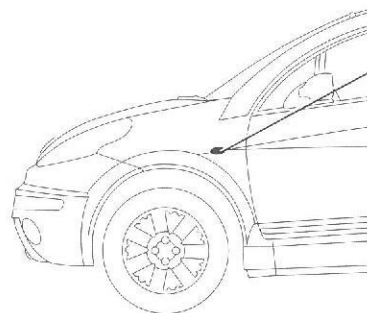


G/D	4	G/D	5
	H7 6216 56		H1 6216 47

G/D	6	G/D	7
	W5W 6216 32		PY21W 6216 31

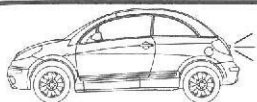
G/D	2
6204 Q0	

G/D	8
	H1 6216 47

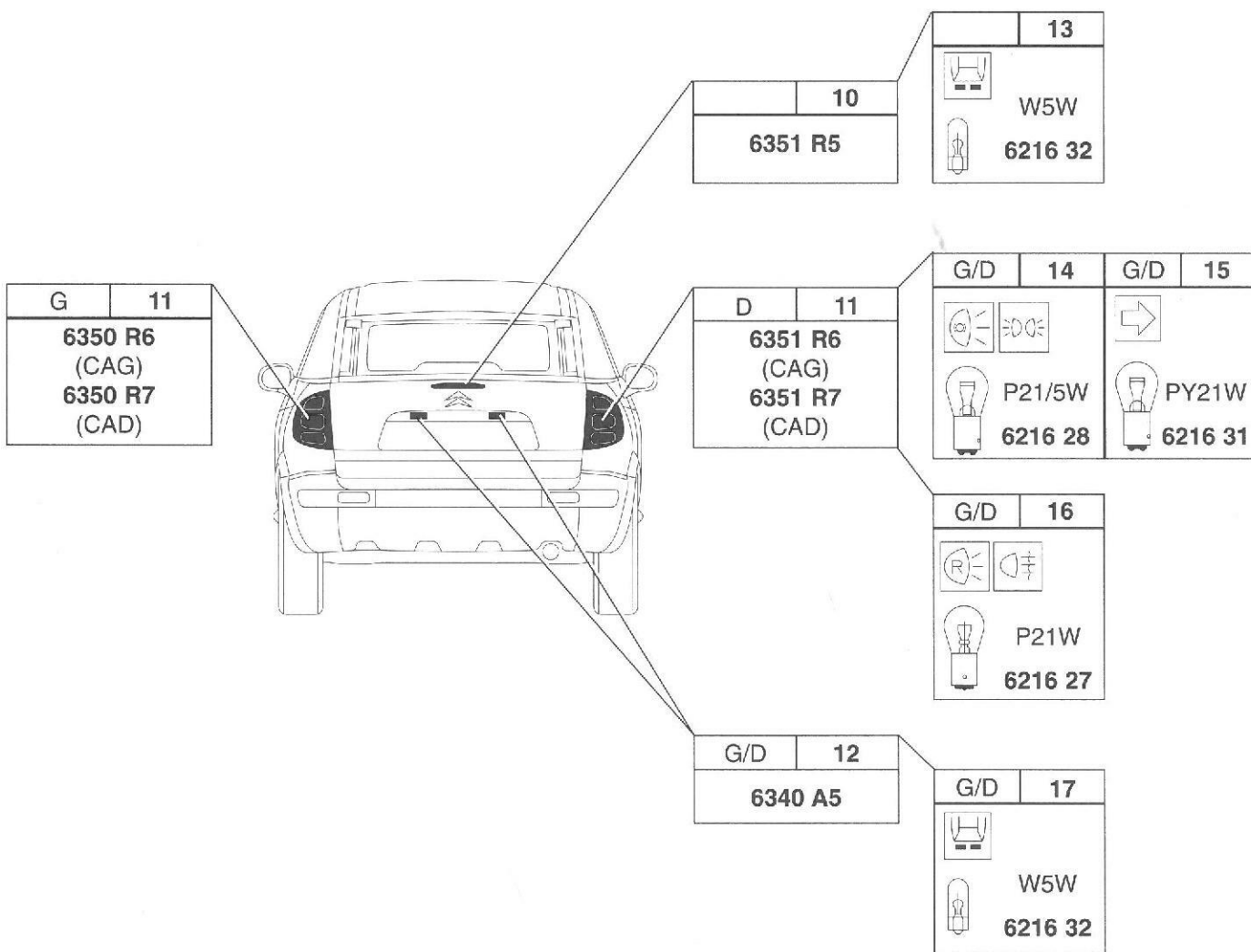
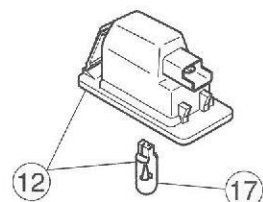
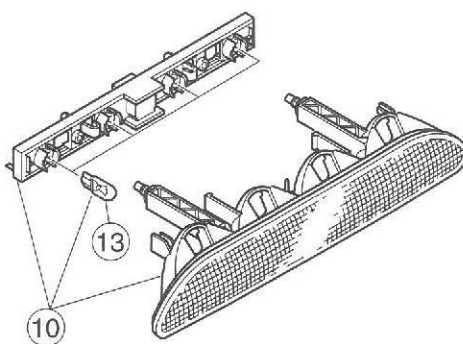
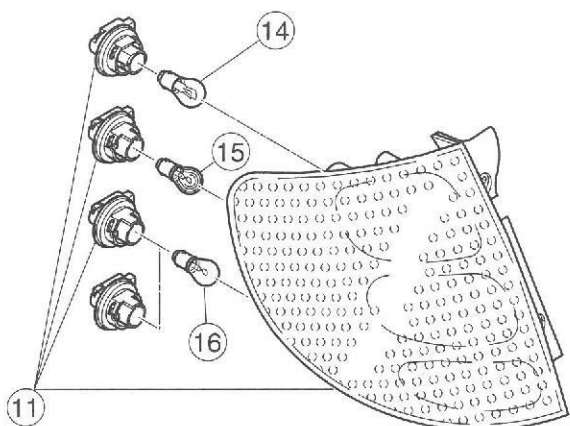


G/D	3
6325 74	

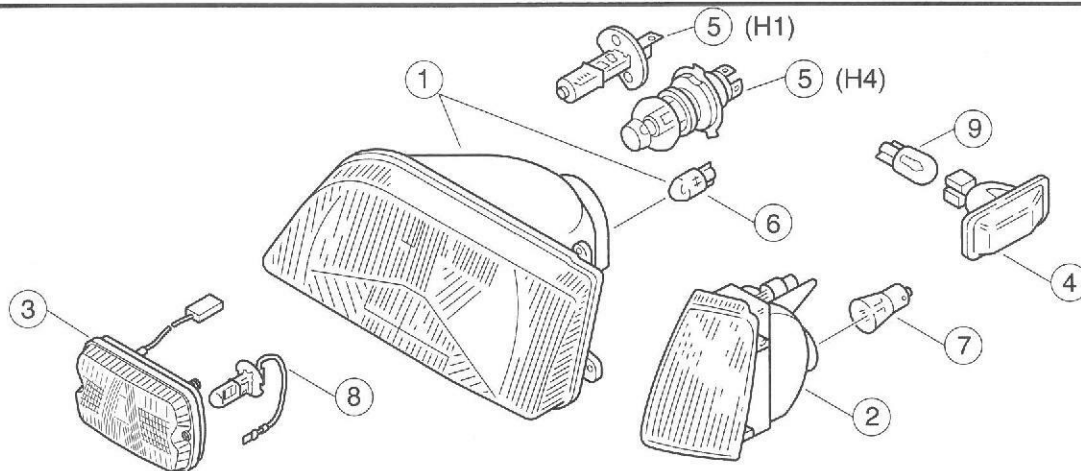
G/D	9
	WY5W 6371 49



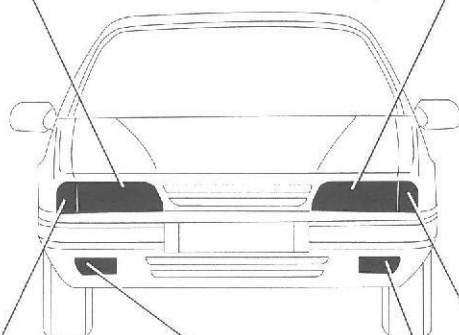
CITROËN C3 PLURIEL



CITROËN ZX



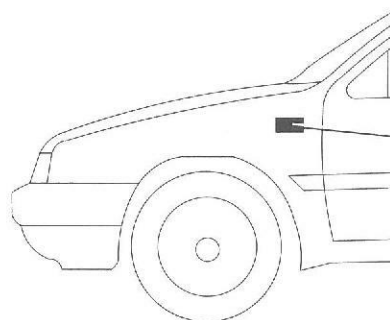
D	1
95 656 542 (c) **	H4 (CAG)
95 656 544 (h) **	H4 (CAG)
95 656 540 (c) **	NFP H1 (CAG)
→ 12/92	
95 659 432 (c) *	H1 (CAG)
01/93 →	
95 661 886 *	H1 (CAD)



G	1
95 656 541 (c) **	H4 (CAG)
95 656 543 (h) **	H4 (CAG)
95 656 539 (c) **	NFP H1 (CAG)
→ 12/92	
95 659 431 (c) *	H1 (CAG)
01/93 →	
95 661 885 *	H1 (CAD)

G/D	5	G/D	6
	H4		W5W
	6216 43 **		6216 32
→ 12/92			
	NFP		
	6216 30 *		
12/92 →			
	H1		
	6216 47		

D	2
95 656 546 (c)	
95 656 548 (g)	



G	2
95 656 545 (c)	
95 656 547 (g)	

G/D	7
	P21W
	6216 27

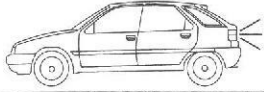
G/D	3
95 659 511 **	
95 659 512 *	

G/D	8
	H3
	6216 33

G/D	4
6325 35	
→ 0/94	
6325 45	
10/94 →	

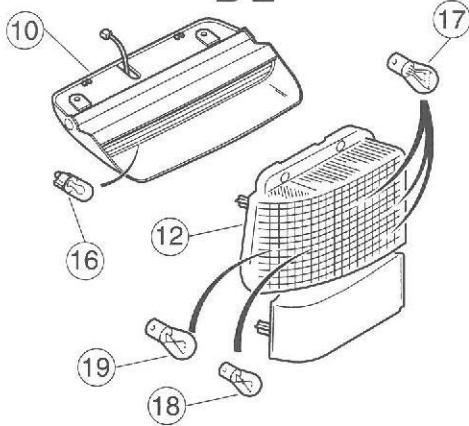
G/D	9
	W5W
	6216 32

* BLANCHE - WHITE - BLANCA - BRANCA - WEISS - BIANCO - WIT
 ** JAUNE - YELLOW - AMARILLA - AMARELA - GELB - GIALLO - GEEL
 (c) VALEO
 (g) AXO
 (h) CARELLO

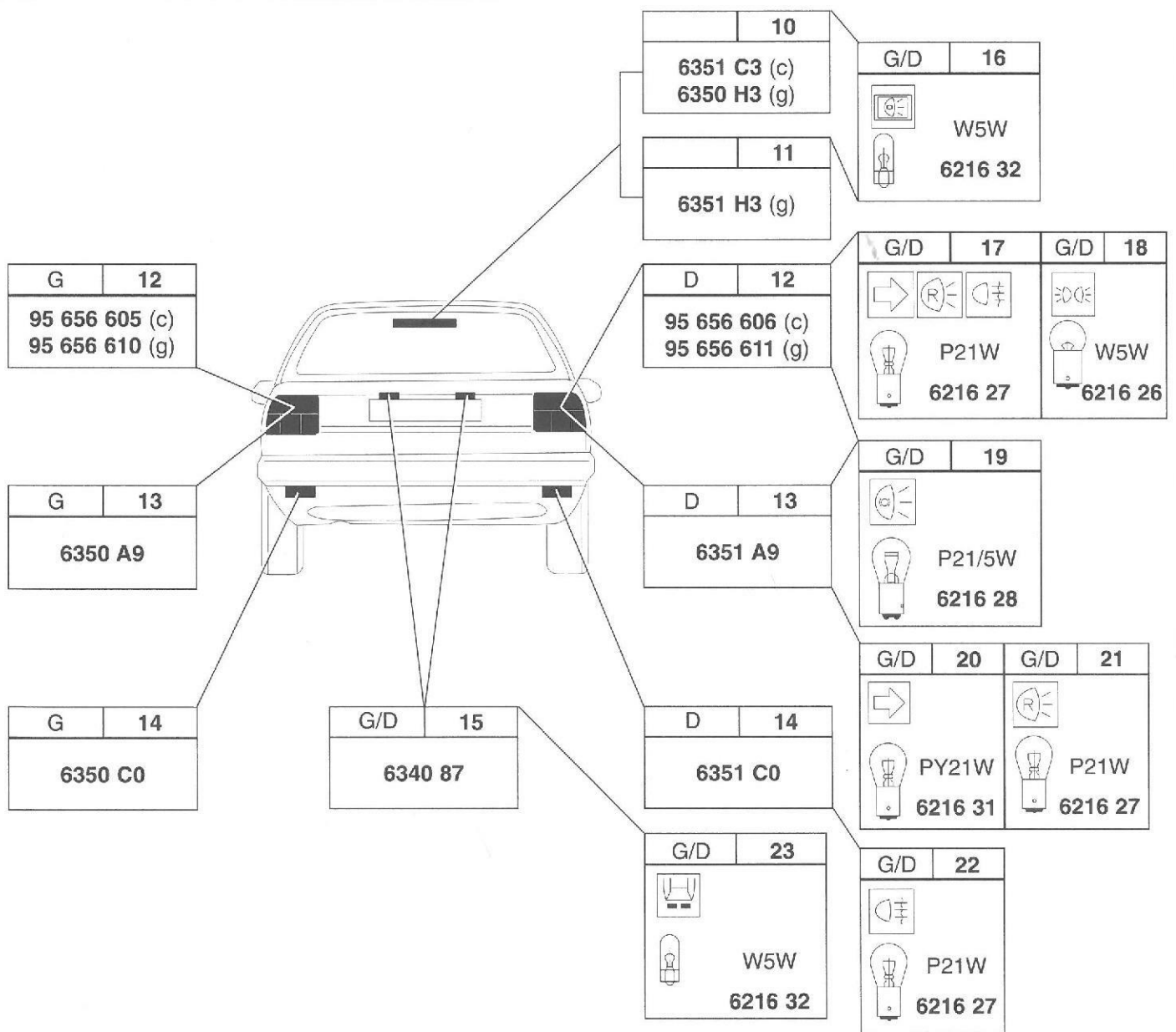


CITROËN ZX

BL

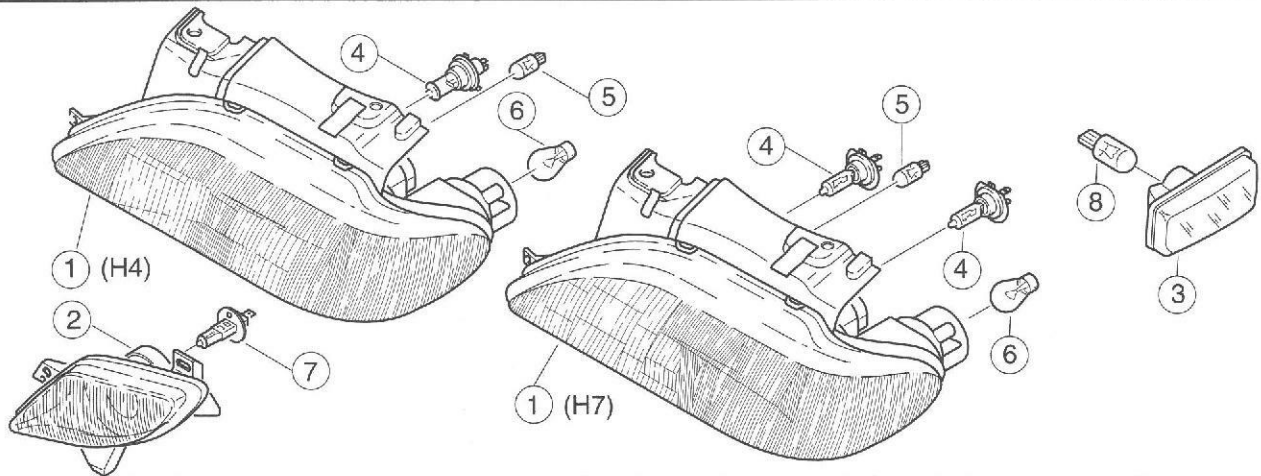
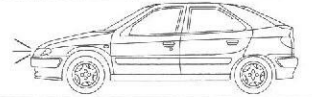


BK



(c) VALED
(g) AXO

CITROËN XSARA → 27/08/2000



D	1
6205 R5 (m)	H4 (CAG)
6205 R7 (m)	H4 (CAD)
6205 R6 (n)	H7 (CAG)
6205 R8 (n)	H7 (CAD)

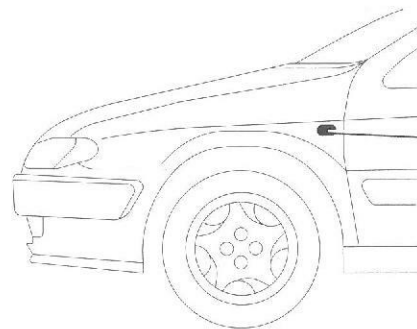
G	1
6204 R5 (m)	H4 (CAG)
6204 R7 (m)	H4 (CAD)
6204 R6 (n)	H7 (CAG)
6204 R8 (n)	H7 (CAD)

G/D	4	G/D	5
	H4		W5W
	6216 30		6216 32
	6216 56		

D	2
6205 R4	

G	2
6204 R4	

G/D	6
	PY21W
	6216 31

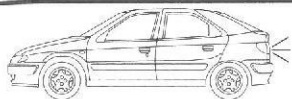


G/D	7
	H1
	6216 47

G/D	3
6325 45	→11/98
6325 67	11/98→

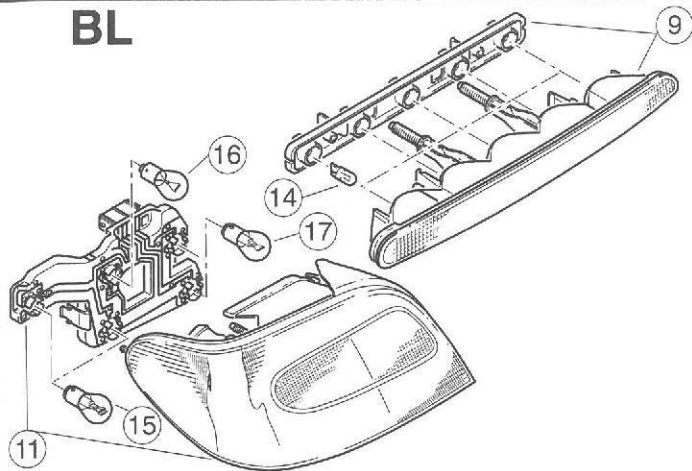
G/D	8
	W5W
	6216 32
	→11/98
	WY5W
	6371 49
	11/98→

(m) PROJECTEUR SIMPLE PARABOLE - SINGLE OPTIC HEADLAMP - FARO SIMPLE PARABOLA - PROJECTOR SIMPLIS - EINFACHPARABOLSCHWEINWERFER - PROIETTORE A PARABOLA SEMPLICE - KOPLAMP ENKELE PARABOOL
 (n) PROJECTEUR DOUBLE PARABOLE - DOUBLE OPTIC HEADLAMP - FARO DOBLE PARABOLA - PROJECTOR DUPLO - DOPPELPARABOLSCHWEINWERFER - PROIETTORE A PARABOLA DOPPIA - KOPLAMP DUBBELE PARABOOL

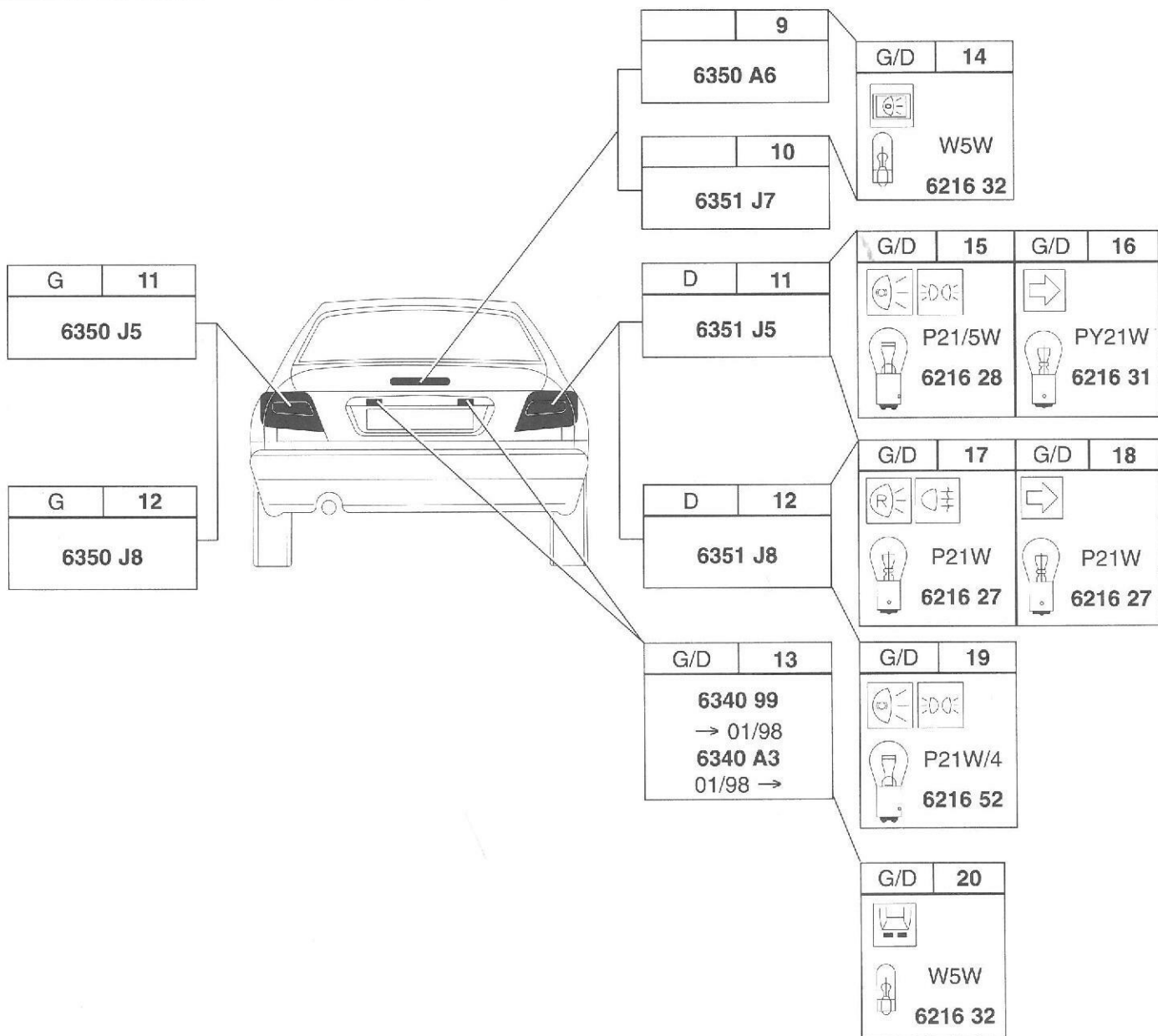
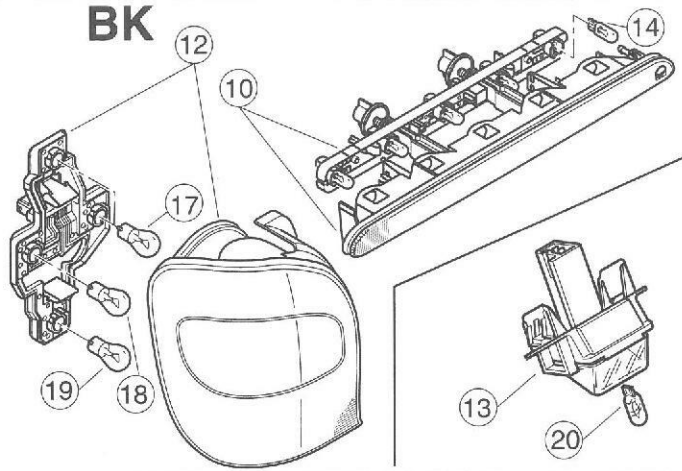


CITROËN XSARA → 27/08/2000

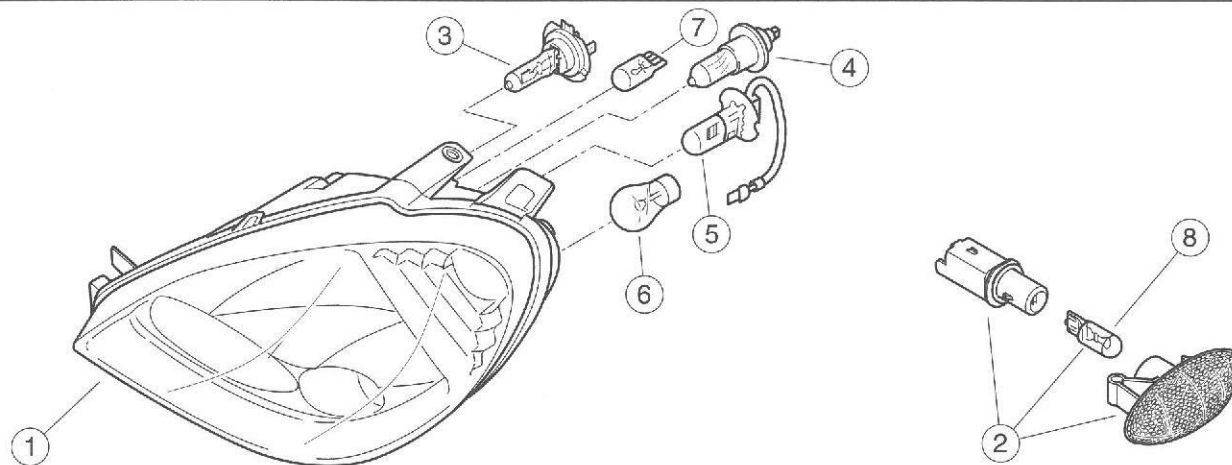
BL



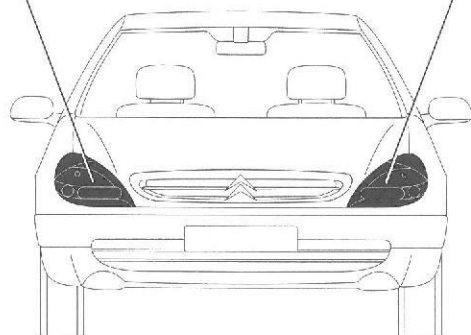
BK



CITROËN XSARA 28/08/2000 →



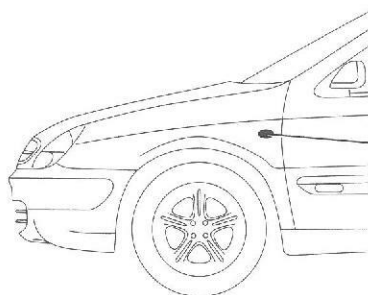
D	1
6205 X6 (CAG)	
6205 X7 (CAD)	



G	1
6204 X6 (CAG)	
6204 X7 (CAD)	

G/D	3	G/D	4	G/D	5
	H7		H1		H3
	6216 56		6216 47		6216 33

G/D	6	G/D	7
	PY21W 6216 31		
	PY21W "DIADEM" 6216 59		W5W 6216 32



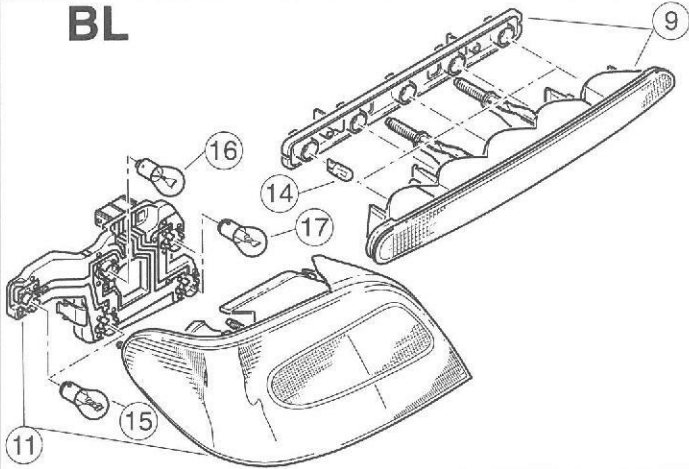
G/D	2
6325 61	
RP 6325 74	

G/D	8
	WY5W 6371 49

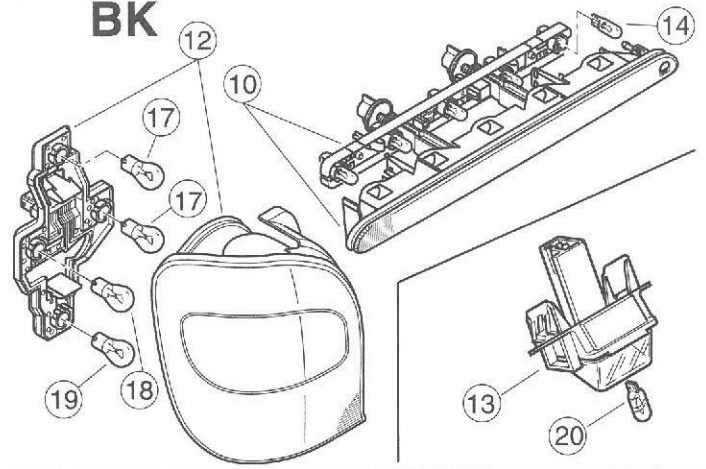


CITROËN XSARA 28/08/2000 →

BL

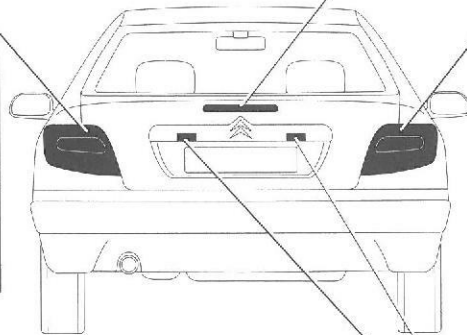


BK



G	11
6350 P0	

G	12
6350 J8	



	9
6350 A6	

	10
6351 J7	

G/D	14
 W5W 6216 32	

D	11
6351 P0	

G/D	15	G/D	16
 P21/5W 6216 28		 PY21W 6216 31	

D	12
6351 J8	

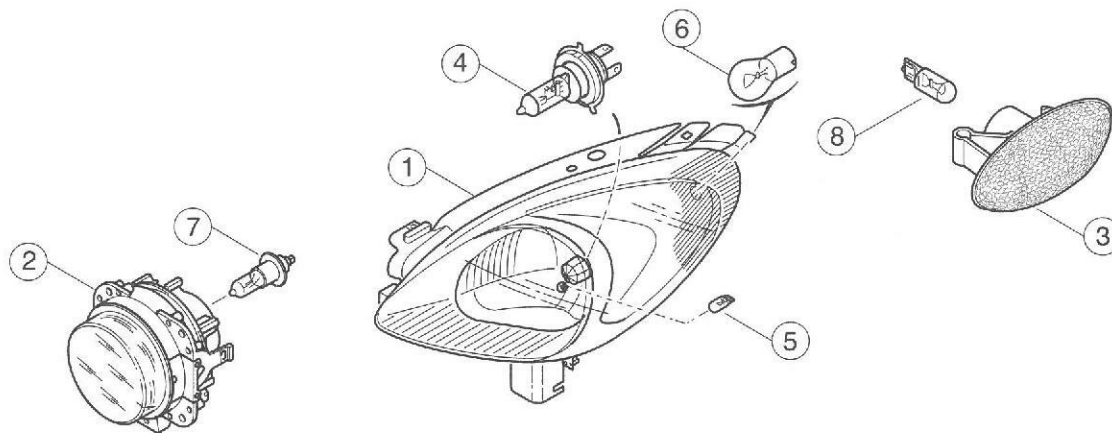
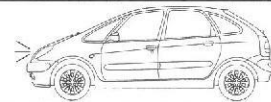
G/D	17	G/D	18
 P21W 6216 27		 P21W 6216 27	

G/D	13
6340 A3	

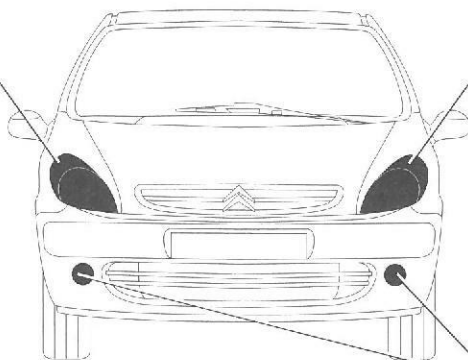
G/D	19
 P21/4W 6216 52	

G/D	20
 W5W 6216 32	

CITROËN XSARA PICASSO



D	1
6205 W0 (CAG)	
6205 W1 (CAD)	

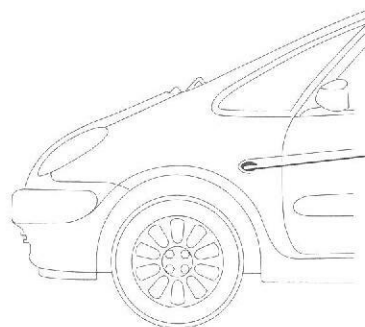


G	1
6204 W0 (CAG)	
6204 W1 (CAD)	

G/D	4	G/D	5
H4		W5W	
6216 30		6216 32	

G/D	2
6205 W4	

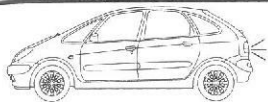
G/D	6
PY21W	
6216 31	



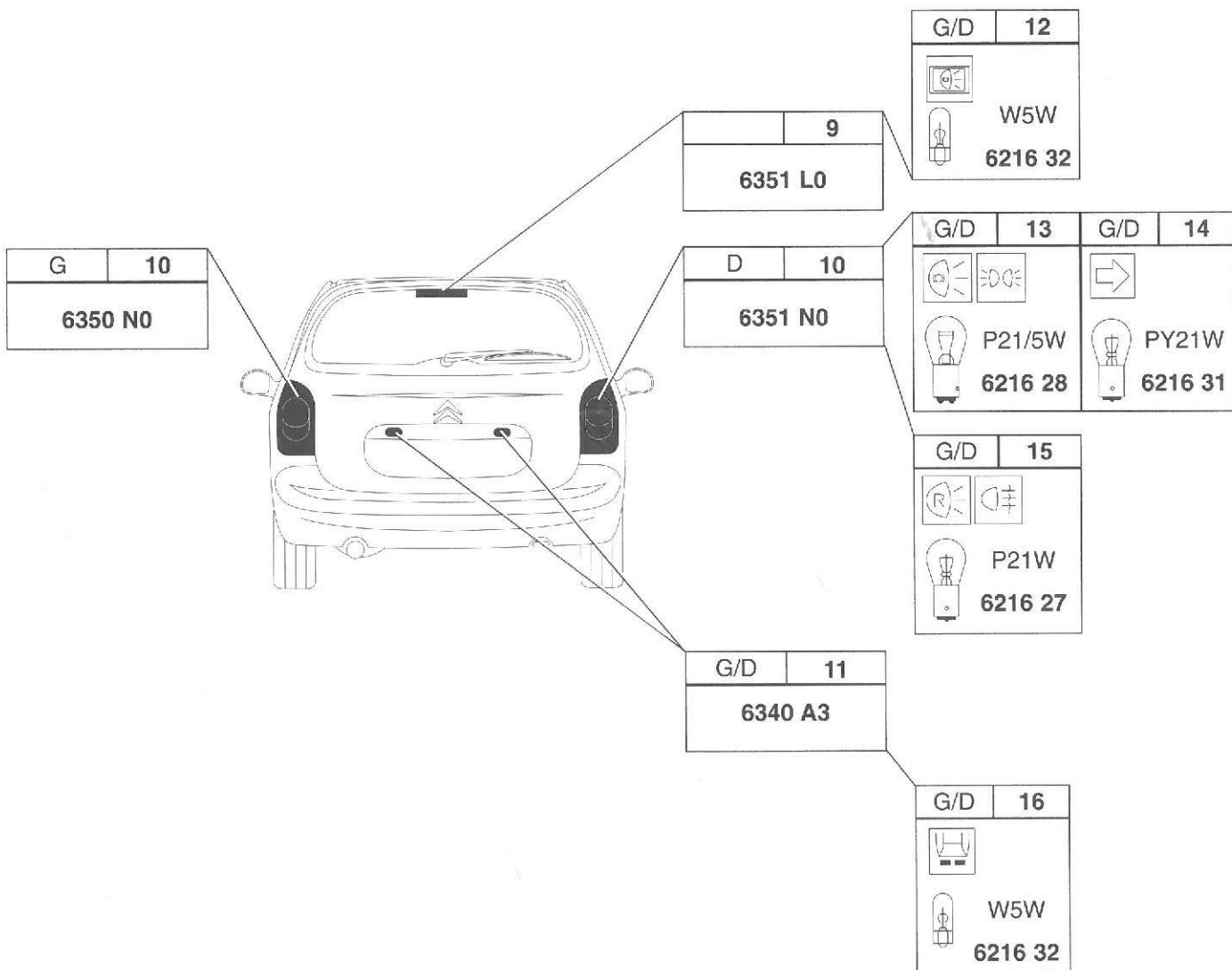
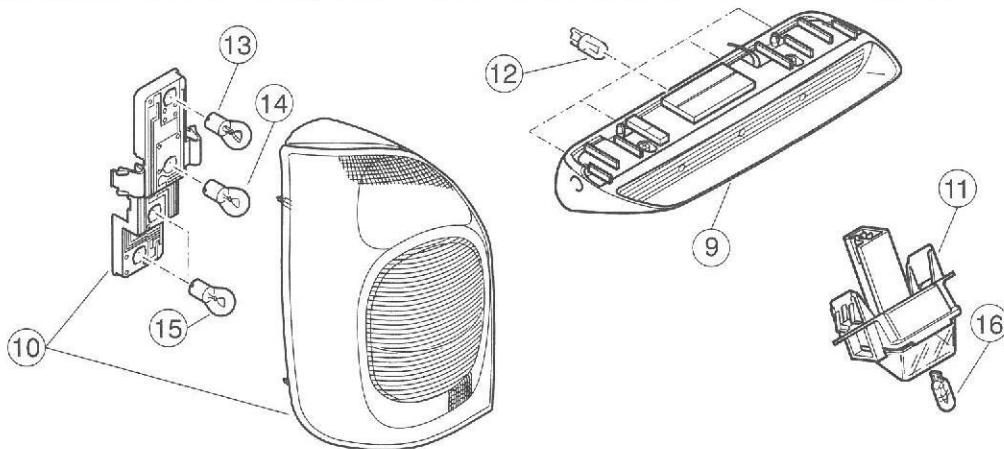
G/D	3
6325 61	
RP 6325 74	

G/D	7
H1	
6216 47	

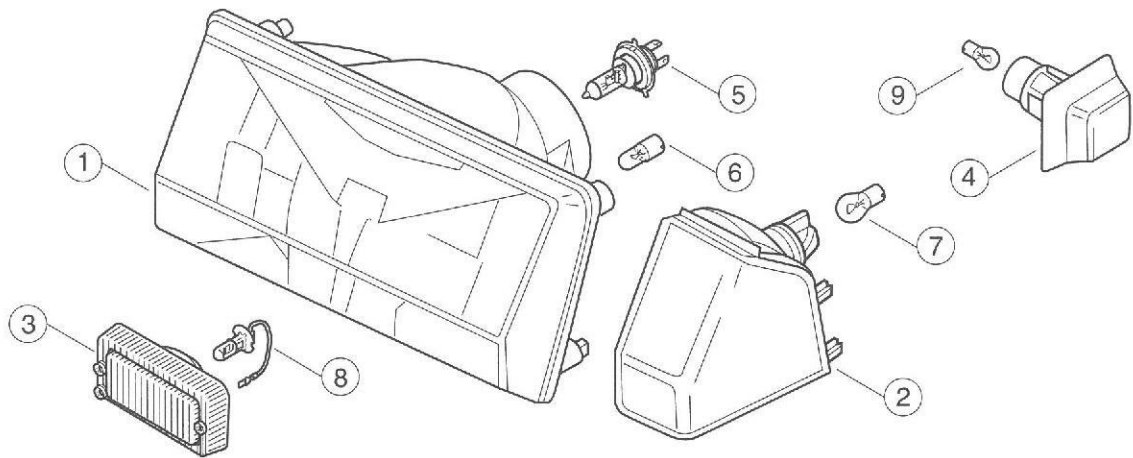
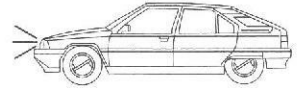
G/D	8
WY5W	
6371 49	



CITROËN XSARA PICASSO



CITROËN BX



D	1
95 587 065 (CAG)	
95 587 063 (CAD)	

G	1
95 587 066 (CAG)	
95 587 064 (CAD)	

G/D	5	G/D	6
H4 6216 43 NFP		T4W 6216 25	

D	2
95 619 035 (a)	
95 619 657 (b)	

G	2
95 619 034 (a)	
95 619 656 (b)	

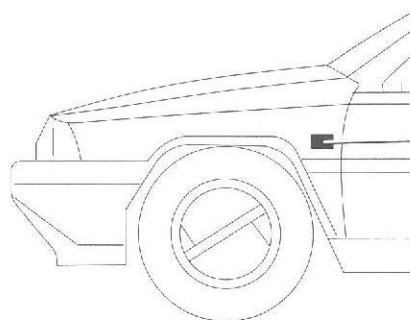
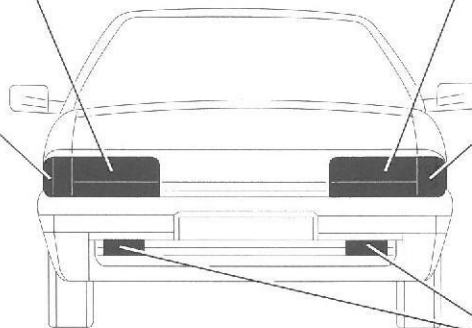
G/D	7
P21W 6216 27	

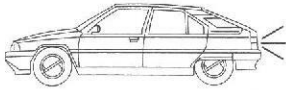
G/D	8
H3 6216 33	

G/D	3
95 624 928 **	
95 624 929 *	

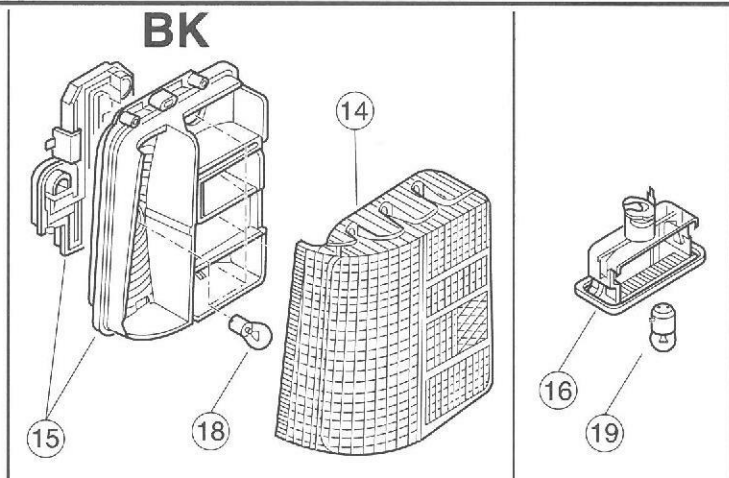
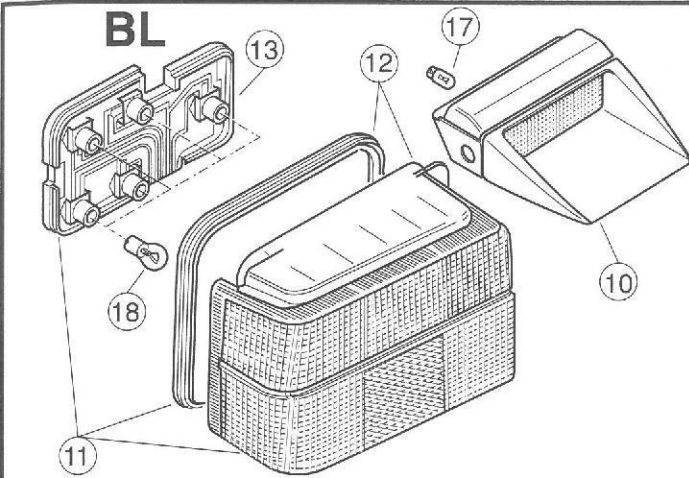
G/D	4
6325 59	

G/D	9
W5W 6216 32	





CITROËN BX



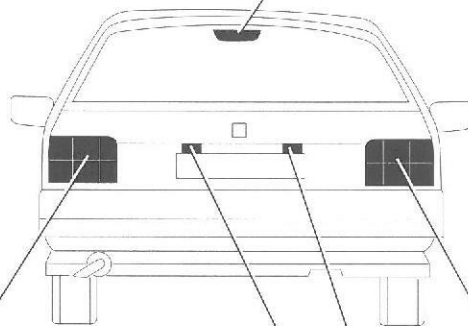
G	11
95 656 447	
→ 08/89	
GTI 16S → 06/89	

G	12
95 653 961	
09/89 →	
GTI 16S 06/89 →	

G	13
95 619 036 (a)	
→ 08/89	
95 619 037 (i)	
→ 08/89	
95 653 963	
09/89 →	
GTI 16S 06/89 →	

G	14
95 616 751	

G	15
95 616 753	



	10
96 050 127	

D	11
95 656 446	
→ 08/89	
GTI 16S → 06/89	

D	12
95 653 962	
09/89 →	
GTI 16S 06/89 →	

D	13
95 587 053 (a)	
→ 08/89	
95 587 060 (i)	
NFP → 08/89	
95 653 964	
09/89 →	
GTI 16S 06/89 →	

D	14
95 616 752	

D	15
95 616 754	

G/D	16
95 494 778 BL	
6340 98 BK	

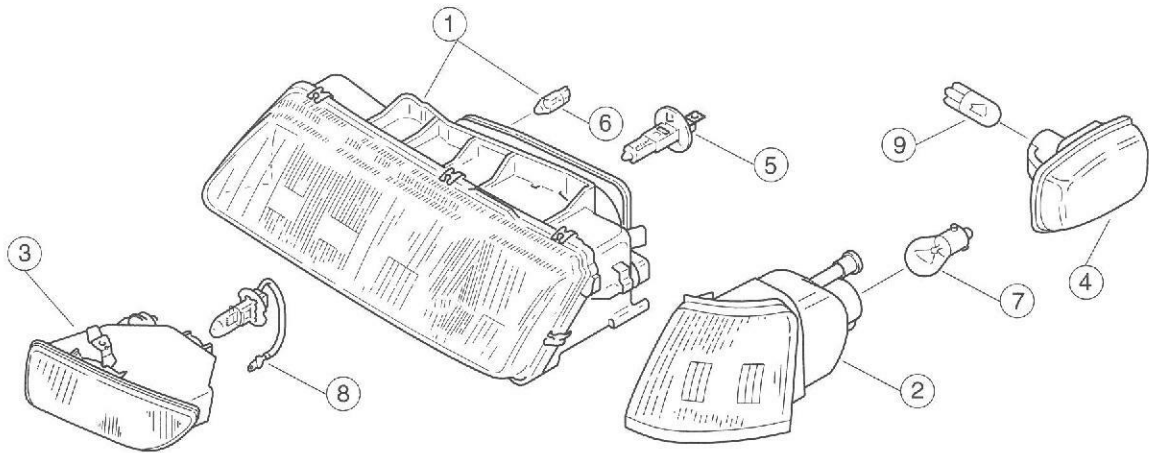
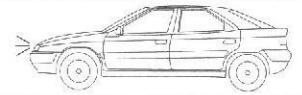
G/D	17
W5W	
6216 32	

G/D	18
P21/5W	
6216 28	

G/D	19
R5W	
6216 26	

(a) SEIMA
(i) FRANKANI

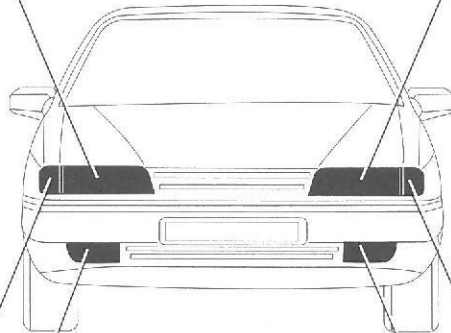
CITROËN XANTIA →12/97



D	1
95 667 948 (CAG)	
95 667 950 Sauf (GB)	
(CAD) → 06/94	
6205 L5 (CAD)	
(GB) 06/94 →	

G	1
95 667 947 (CAG)	
95 667 949 Sauf (GB)	
(CAD) → 06/94	
6204 L5 (CAD)	
(GB) 06/94 →	

G/D	5	REP	6
H1		W5W	
6216 47		6216 32	



D	2
95 667 957	

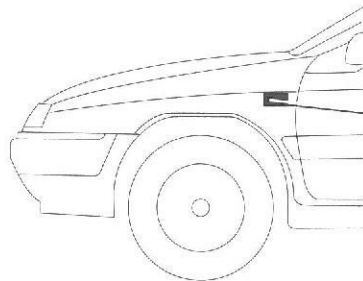
G	2
95 667 956	

G/D	7
P21W	
6216 27	

D	3
95 668 024	

G	3
95 668 023	

G/D	8
H3	
6216 33	



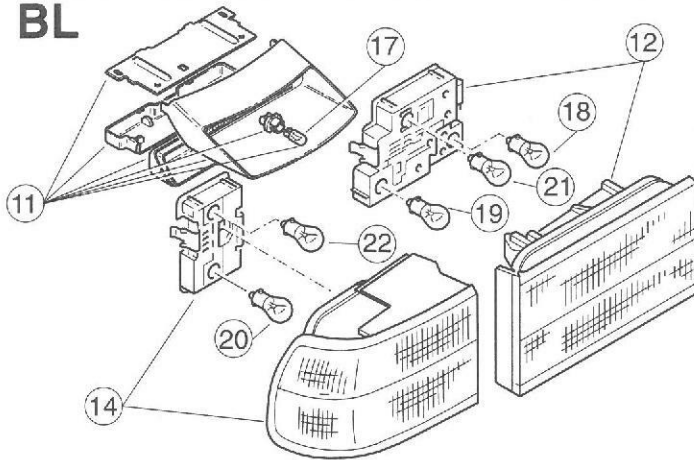
G/D	4
6325 45	

G/D	9
W5W	
6216 32	

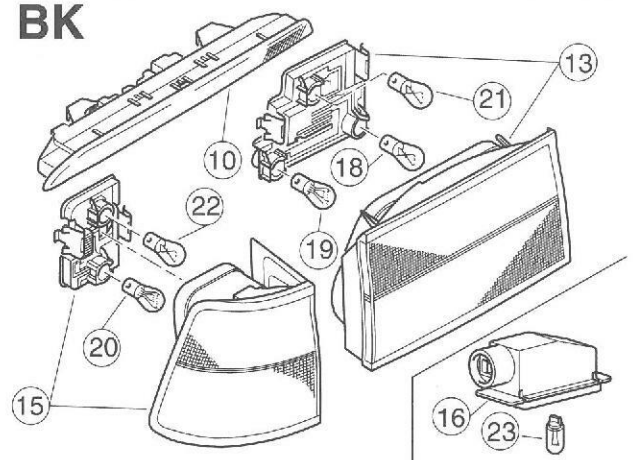


CITROËN XANTIA → 12/97

BL



BK



G	12
95 668 017 (c) 95 668 021 (g)	

G	13
6350 F0	

G	14
95 668 015 (c) 95 668 019 (g)	

G	15
6350 E9	

	10
6350 C4	

	11
6351 A8 → 09/96 6350 A8 09/96 →	

D	12
95 668 018 (c) 95 668 022 (g)	

D	13
6351 F0	

D	14
95 668 016 (c) 95 668 020 (g)	

D	15
6351 E9	

G/D	16
6340 87	

G/D	17
W5W 6216 32	

G/D	18
P21W 6216 27	

G/D	19
P21/5W 6216 28	

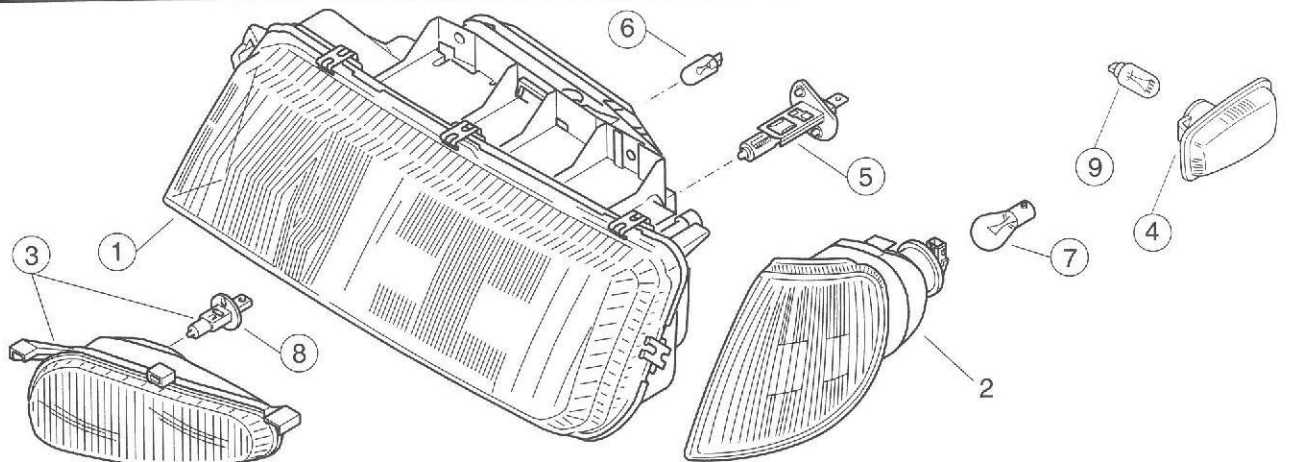
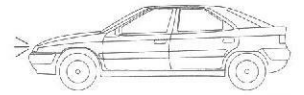
G/D	20
P21/5W 6216 28	

G/D	21
P21W 6216 27	

G/D	22
PY21W 6216 31	

G/D	23
W5W 6216 32	

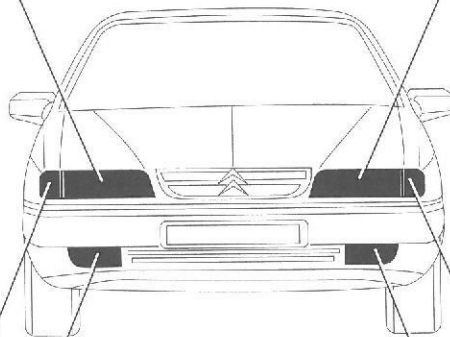
CITROËN XANTIA 12/97 →



D	1
6205 R9 (CAG)	
6205 S0 (CAD)	

G	1
6204 R9 (CAG)	
6204 S0 (CAD)	

G/D	5	G/D	6
H1		W5W	
6216 47		6216 32	



D	2
6303 70	

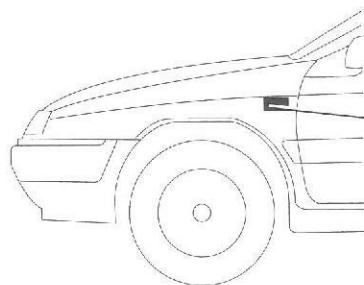
G	2
6303 69	

G/D	7
PY21W	
6216 31	

D	3
6205 S1	

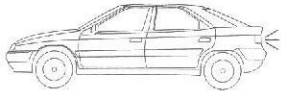
G	3
6204 S1	

G/D	8
H1	
6216 47	



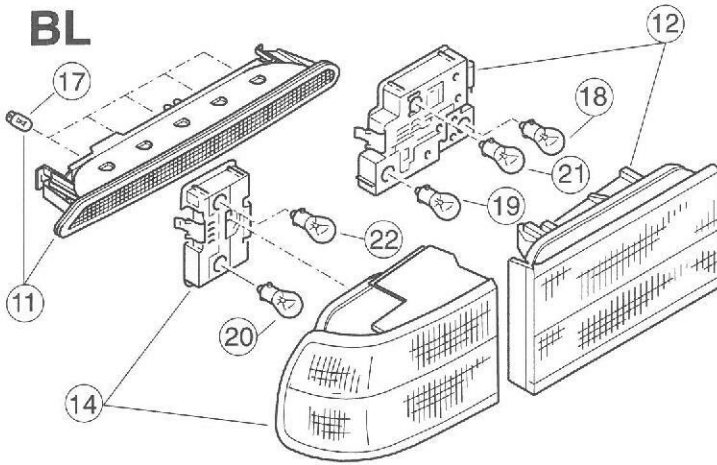
G/D	4
6325 45 → 08/98	
6325 63 09/98 →	

G/D	9
W5W	
6216 32	
→ 08/98	
WY5W	
6371 49	
09/98 →	

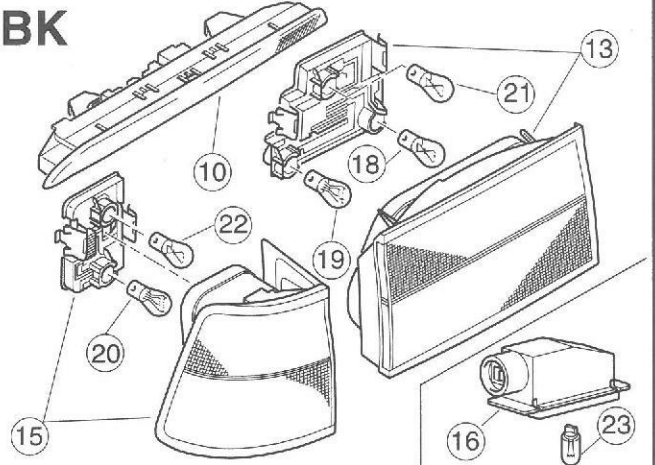


CITROËN XANTIA 12/97 →

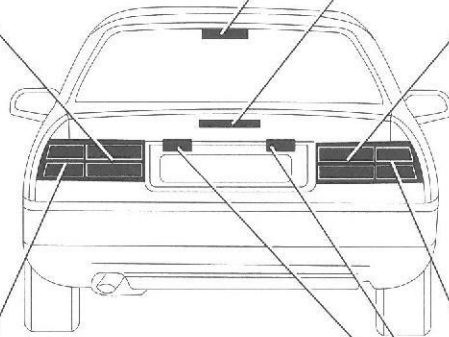
BL



BK



G	12
6350 J9	
G	13
6350 K1	
G	14
6350 K0	
G	15
6350 K2	



	10
6350 C4	
	11
6350 A8	

	17
	W5W
	6216 32

D	12
6351 J9	
D	13
6351 K1	

G/D	18	G/D	19
	P21W		P21/5W
	6216 27		6216 28

D	14
6351 K0	

G/D	20	G/D	21
	P21/5W		P21W
	6216 28		6216 27

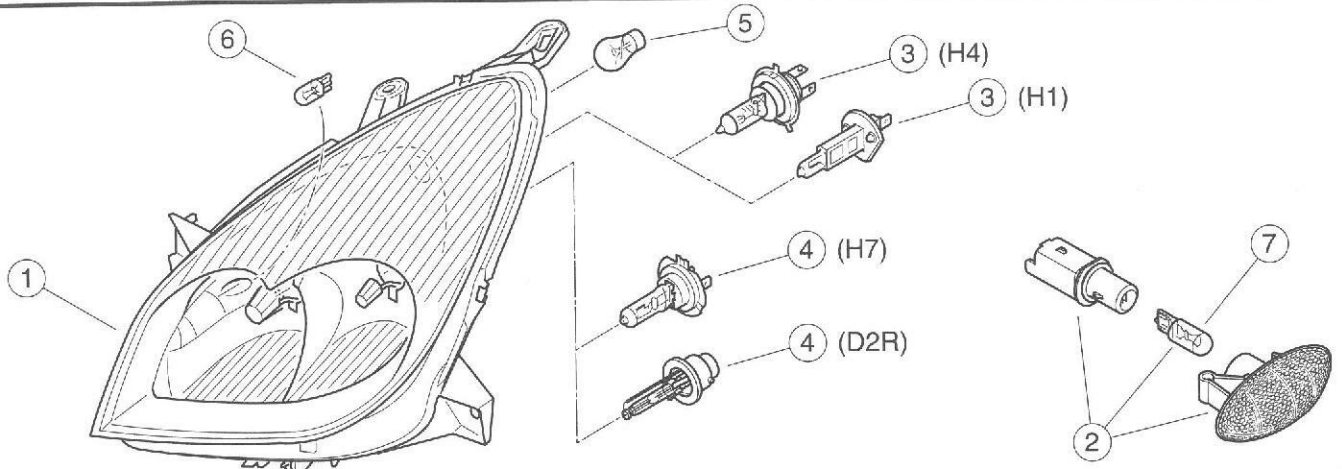
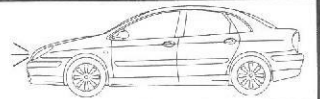
D	15
6351 K2	

G/D	22
	PY21W
	6216 31

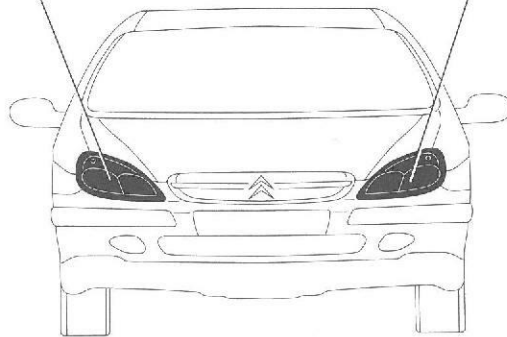
G/D	16
6340 87	

G/D	23
	W5W
	6216 32

CITROËN C5

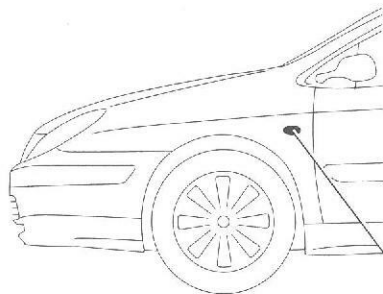


D	1
6205 X2 (H7)	(CAG)
6205 X4	(D2R) "XENON"
	(CAG)
6205 X3 (H7)	(CAD)
6205 X5	(D2R) "XENON"
	(CAD)



G	1
6204 X2 (H7)	(CAG)
6204 X4	(D2R) "XENON"
	(CAG)
6204 X3 (H7)	(CAD)
6204 X5	(D2R) "XENON"
	(CAD)

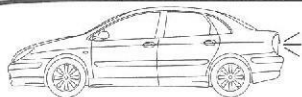
G/D	3	G/D	4
	H4		H7
	6216 30		6216 56
	H1		D2R "XENON"
	6216 47		6216 58



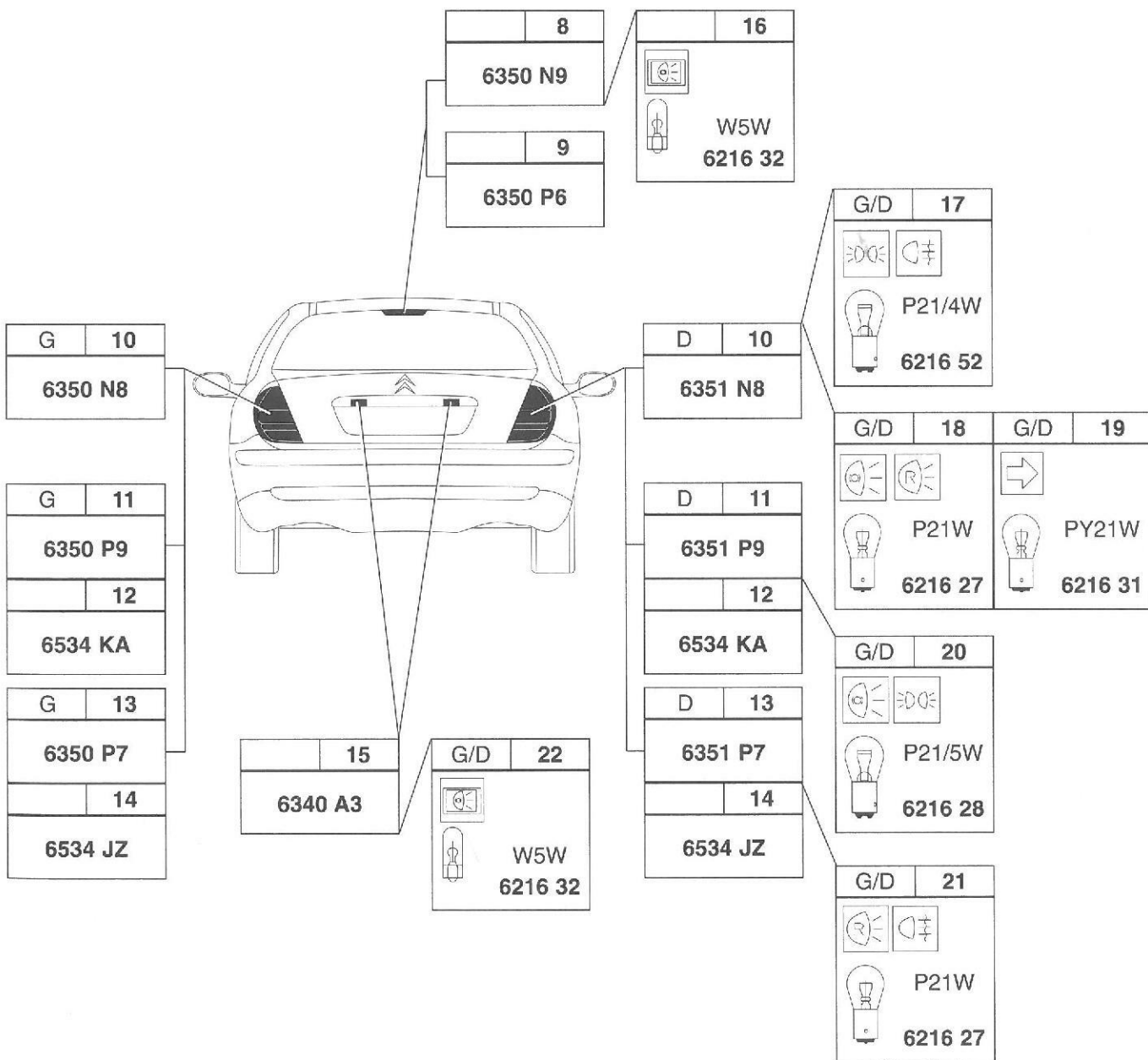
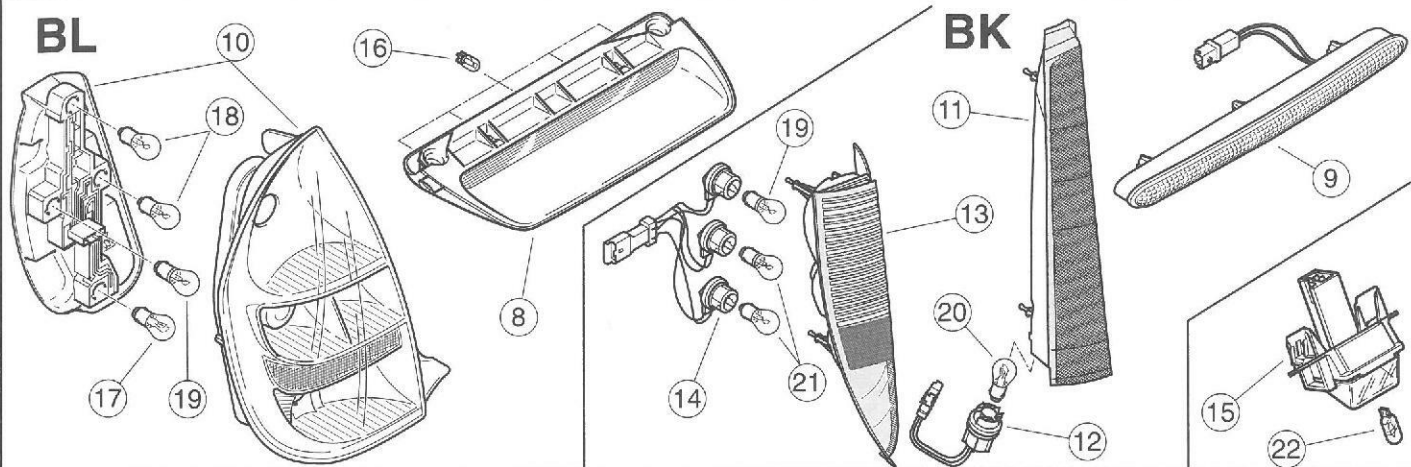
G/D	5	G/D	6
	PY21W		W5W
	6216 31		6216 32

G/D	2
6325 61	
RP 6325 74	

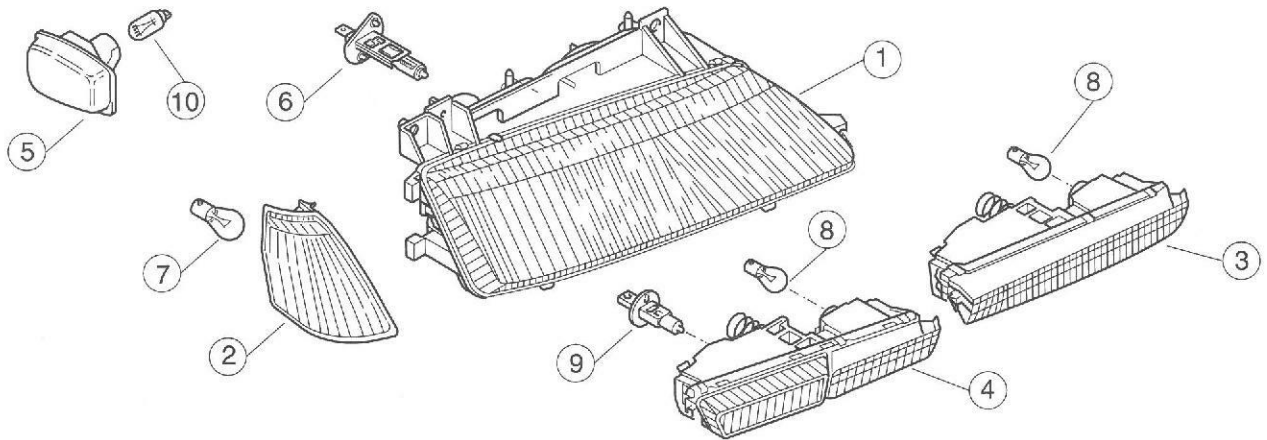
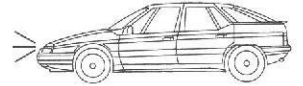
G/D	7
	WY5W
	6371 49



CITROËN C5



CITROËN XM → 07/94

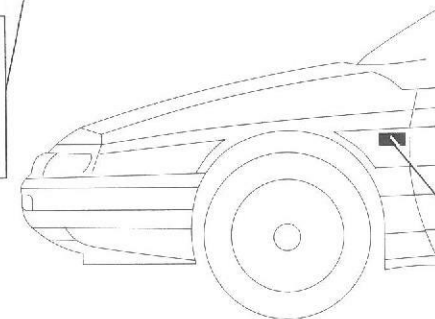
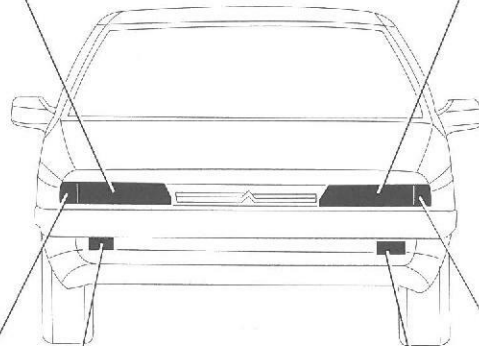


D	1
	6205 H7 **
	→12/92 (CAG)
	6205 J0 *
	(CAD) → 01/93
	6205 H6
	→12/92 (CAD)
	Sauf (J)
	6205 H9
	(CAD) 01/93 →
	Sauf (J)
	6205 H8
	(J)

D	2
	95 637 414
	→12/92
	96 168 248
	12/92 →

D	3
	95 650 970

D	4
	95 650 972 **
	95 650 974 *



G	1
	6204 H7 **
	→12/92 (CAG)
	6204 J0 *
	(CAG) 01/93 →
	6204 H6
	→12/92 (CAD)
	Sauf (J)
	6204 H9
	(CAD) 01/93 →
	Sauf (J)
	6204 H8
	(J)

G	2
	95 637 415
	→12/92
	96 168 249
	12/92 →

G	3
	95 650 969

G	4
	95 650 971 **
	95 650 973 *

G/D	5
	6325 35

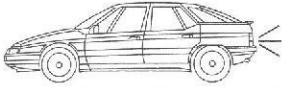
G/D	6
	H1
	6216 47

G/D	7
	W5W
	6216 32

G/D	8
	P21W
	6216 27

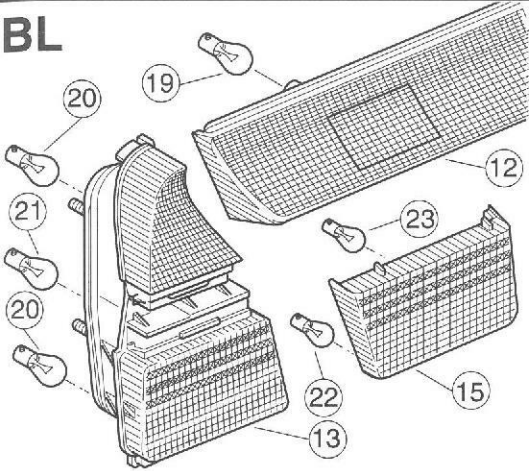
G/D	9
	H3
	6216 33

G/D	10
	W5W
	6216 32

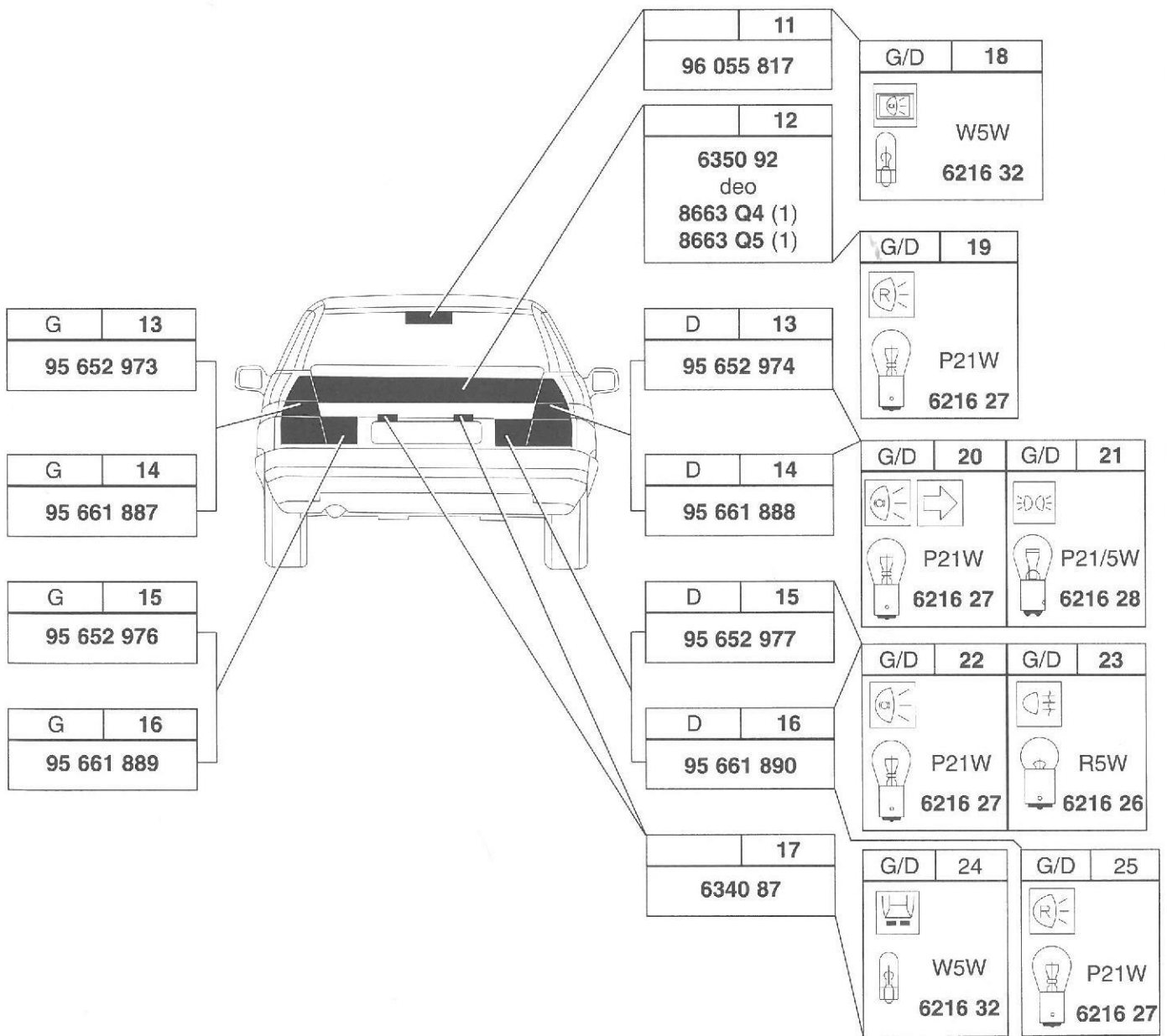
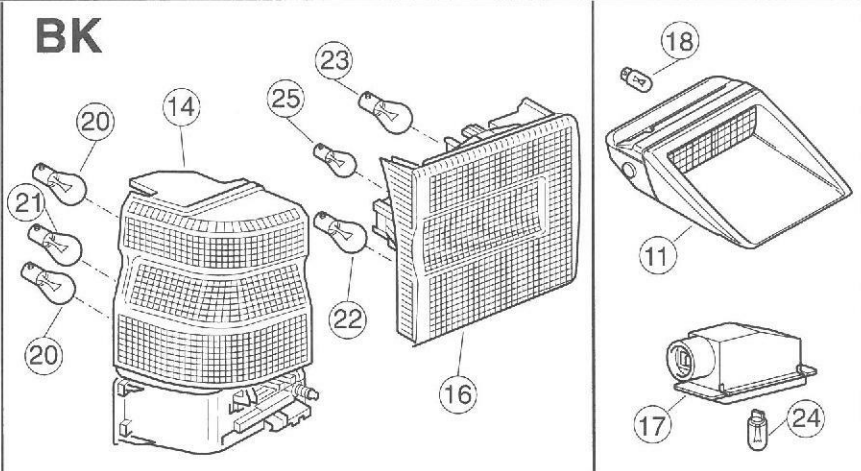


CITROËN XM → 07/94

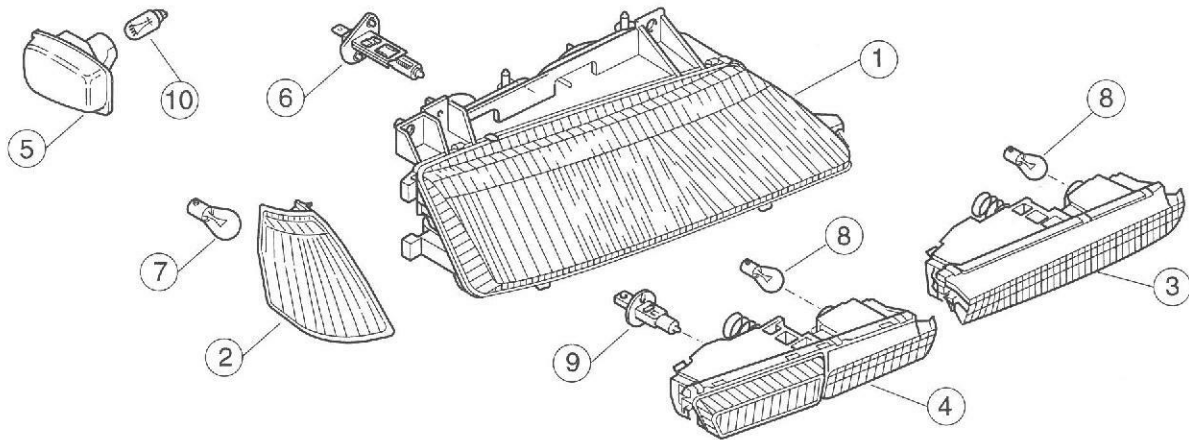
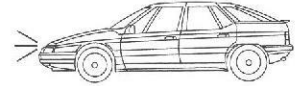
BL



BK



CITROËN XM 07/94 →

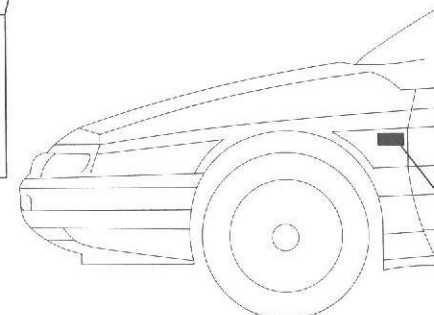
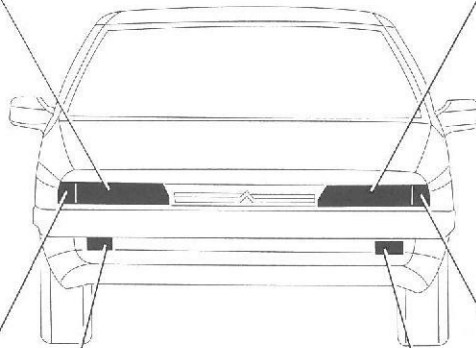


D	1
6205 J0 (CAG) 6205 H9 (CAD) Sauf (J) 6205 H8 (J)	

D	2
96 168 248	

D	3
6303 42	

D	4
6303 40	



G	1
6204 J0 (CAG) 6204 H9 (CAD) Sauf (J) 6204 H8 (J)	

G	2
96 168 249	

G	3
6303 41	

G	4
6303 39	

G/D	5
6325 45 → 09/98 6325 63 10/98 →	

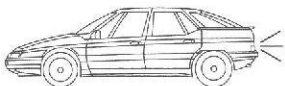
G/D	6
H1 6216 47	

G/D	7
W5W 6216 32 → 09/98 WY5W 6371 49 10/98 →	

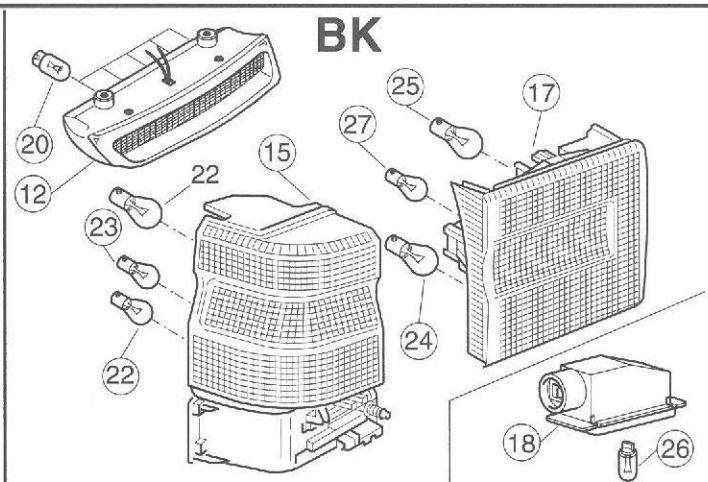
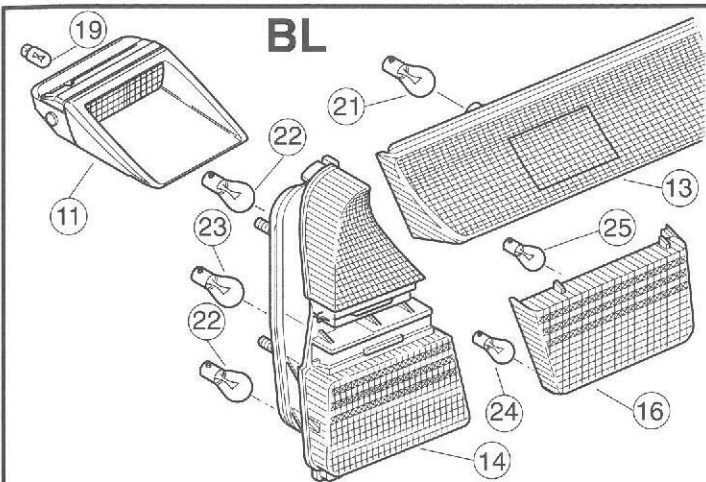
G/D	8
PY21W 6216 31	

G/D	9
H3 6216 33	

REP	10
W5W 6216 32 → 09/98 WY5W 6371 49 10/98 →	

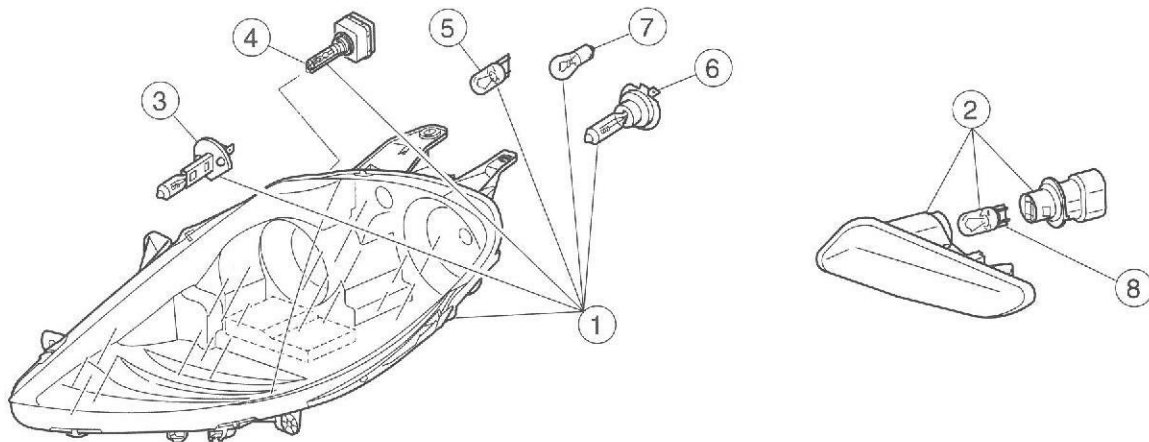


CITROËN XM 07/94 →

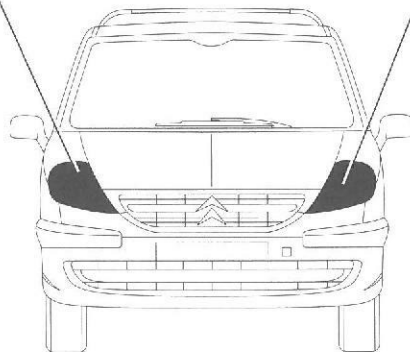


G		14	11		96 055 817 → 04/97 6350 J7 04/97 →		19		20	
95 652 973			12		6351 J6		P21W 6216 27 → 04/97 W5W 6216 32 04/97 →		W5W 6216 32	
G		15	13		6350 92		G/D		21	
95 661 887			14		D		P21W 6216 27			
G		16	15		95 652 974		G/D		22	
95 652 976			16		D		P21W 6216 27		G/D	
G		17	17		95 661 888		P21/5W 6216 28		23	
95 661 889			18		D		G/D		24	
			18		95 652 977		P21W 6216 27		G/D	
			18		D		R5W 6216 26		25	
			18		95 661 890		G/D		26	
			18		G/D		W5W 6216 32		G/D	
			18		6340 87		P21W 6216 27		27	

CITROËN C8



D	1
	6206 15 (CAG)
	6206 17 (CAD)
	6206 16 (D1S) "XENON" (CAG)
	6206 23 (CAD) (D1S) "XENON"

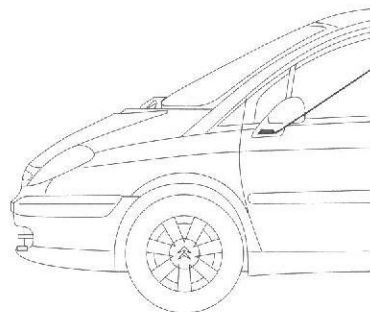


G	1
	6208 15 (CAG)
	6208 17 (CAD)
	6208 16 (D1S) "XENON" (CAG)
	6208 23 (CAD) (D1S) "XENON"

G/D	3	G/D	5
	H1 6216 47		W5W 6216 32

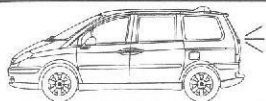
G/D	4	G/D	6
	D1S "Xénon" 6216 66		H7 6216 56

G/D	7
	PY21W 6216 31

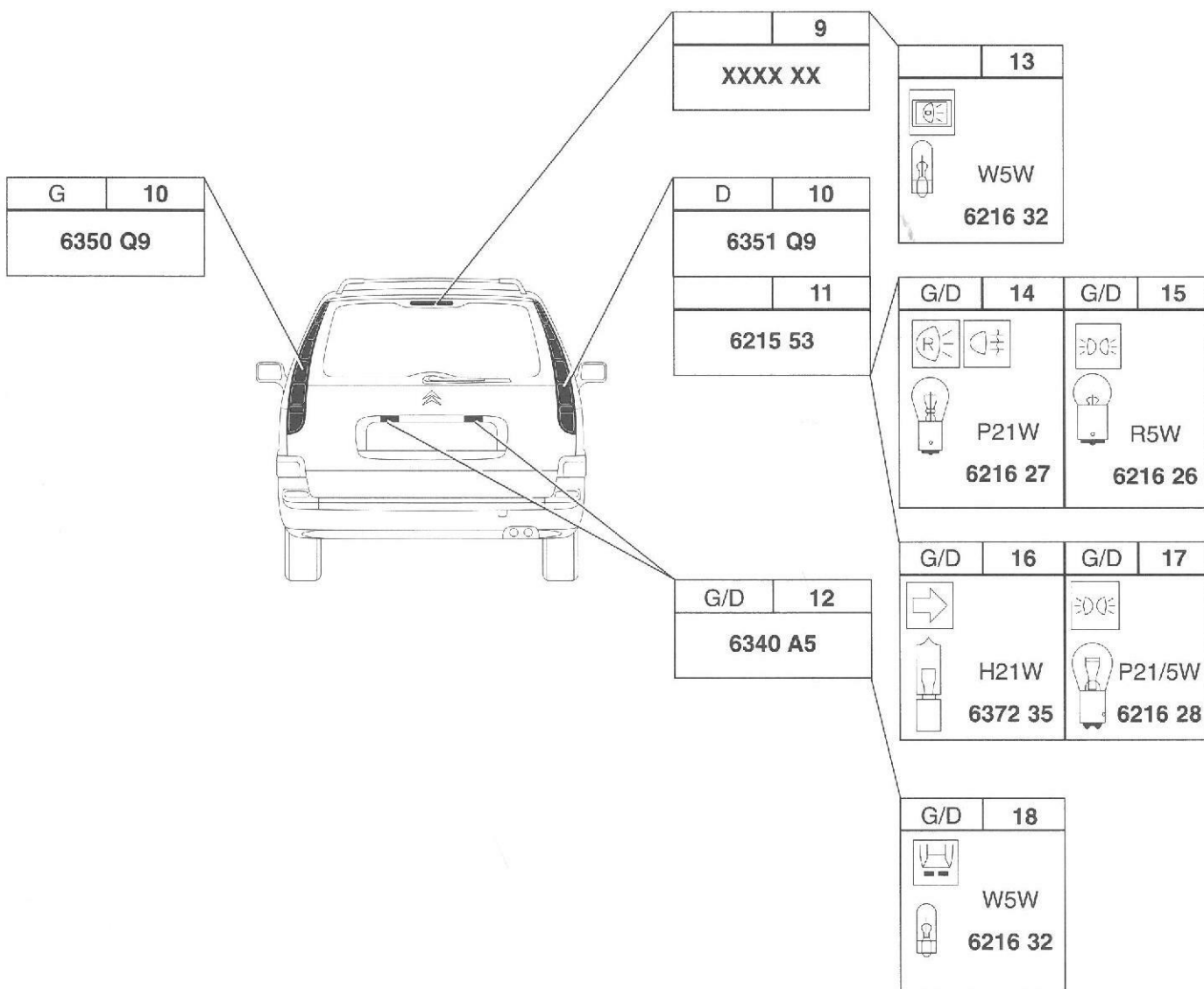
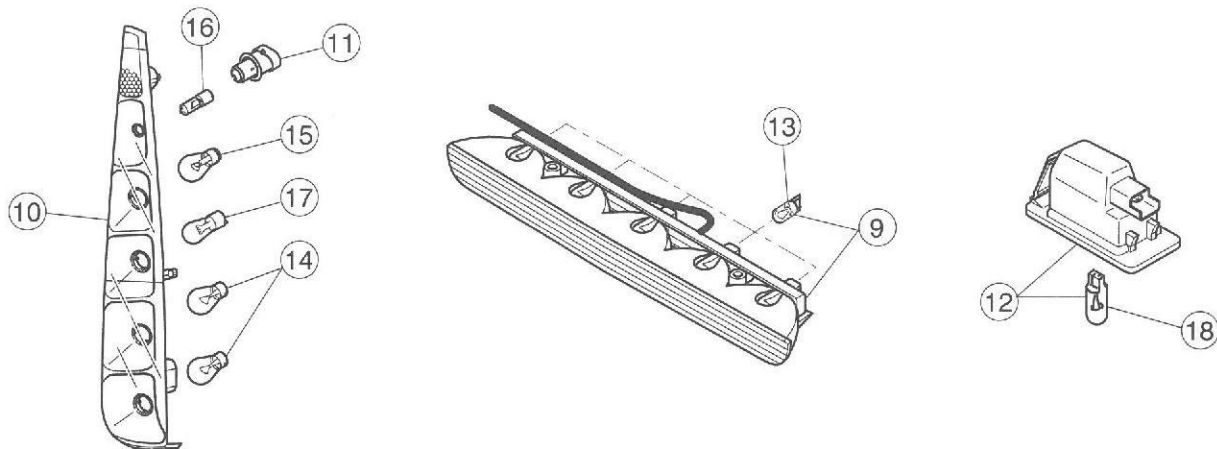


G	2
	6325 F1
D	2
	6325 F3

G/D	8
	WY5W 6371 49

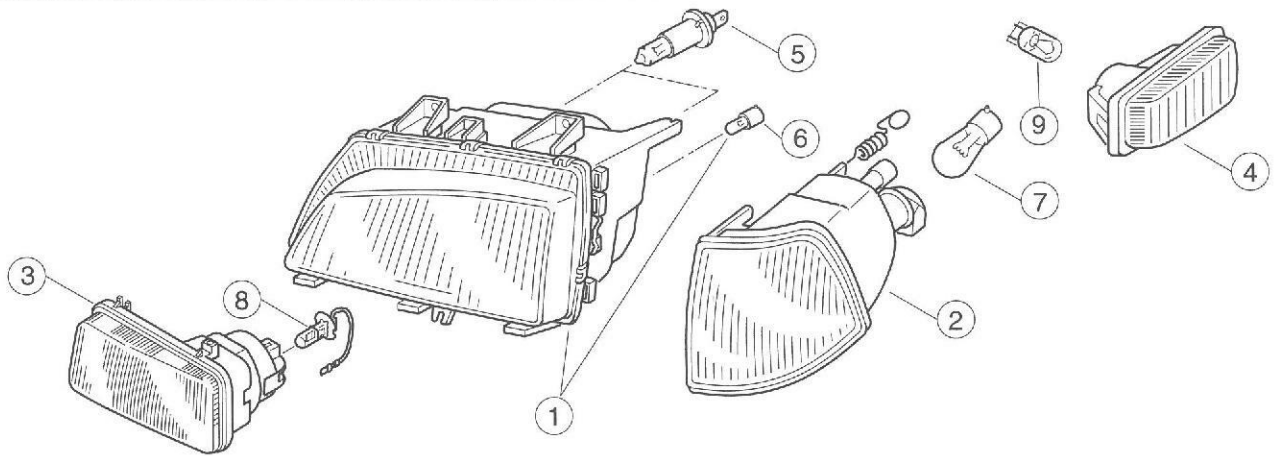


CITROËN C8



(p) FDR BEIGE SAVANE - FDR SAVANNA BEIGE - FDR BEIGE SAVANA - FDR BEGE SAVANA - FDR SAVANA BEIGE - FDR BEIGE SAVANA - FDR BEIGE SAVANE
 (q) FZH GRIS BRUME - FZH MIST GREY - FZH GRIS BRUMA - FZH CINZENTO BRUMA - FZH NEBEL GRAU - FZH GRIO BRUMA - FZH GRIS BRUME

CITROËN EVASION



D	1
6205 G9 (CAG) →10/98	
6205 T7 (CAG) 10/98 →	
6205 H1 (CAD) → 10/98	
6205 T8 (CAD) 10/98 →	

G	1
6204 G9 (CAG) →10/98	
6204 T7 (CAG) 10/98 →	
6204 H1 (CAD) →10/98	
6204 T8 (CAD) 10/98 →	

G/D	5	G/D	6
H1		W5W	
6216 47		6216 32	

D	2
6303 28 → 10/98	
6303 76 10/98 →	

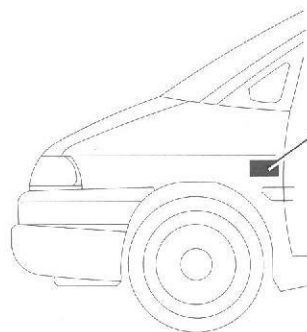
G	2
6303 27 →10/98	
6303 75 10/98 →	

G/D	7
PY21W	
6216 31	

D	3
6205 J4	

G	3
6204 J4	

G/D	8
H3	
6216 33	

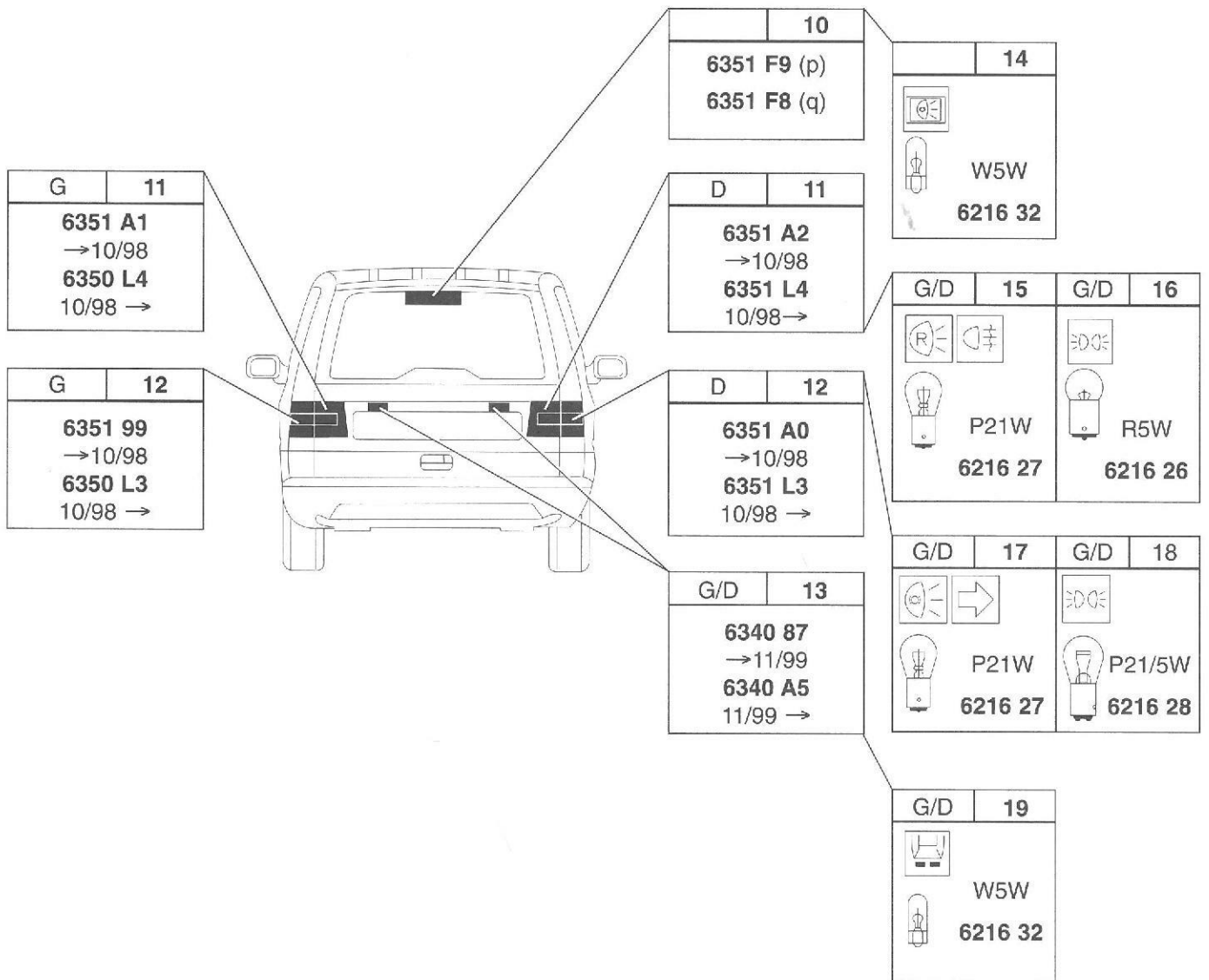
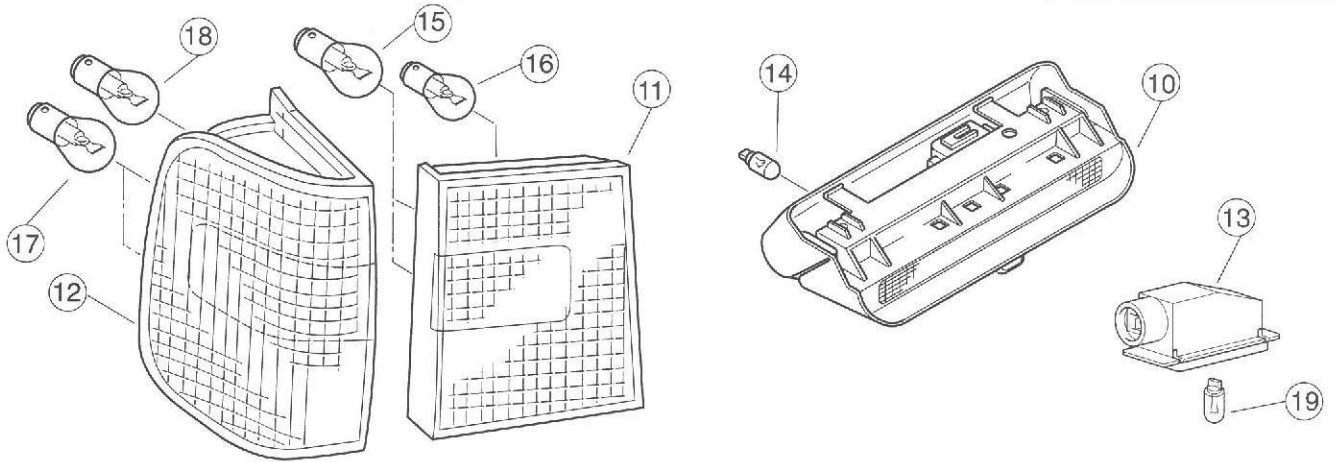


G/D	4
6325 45 →10/98	
6325 62 10/98 → 12/2000	
6325 67 12/2000 →	

G/D	9
W5W	
6216 32 →10/98	
WY5W	
6371 49 10/98 →	

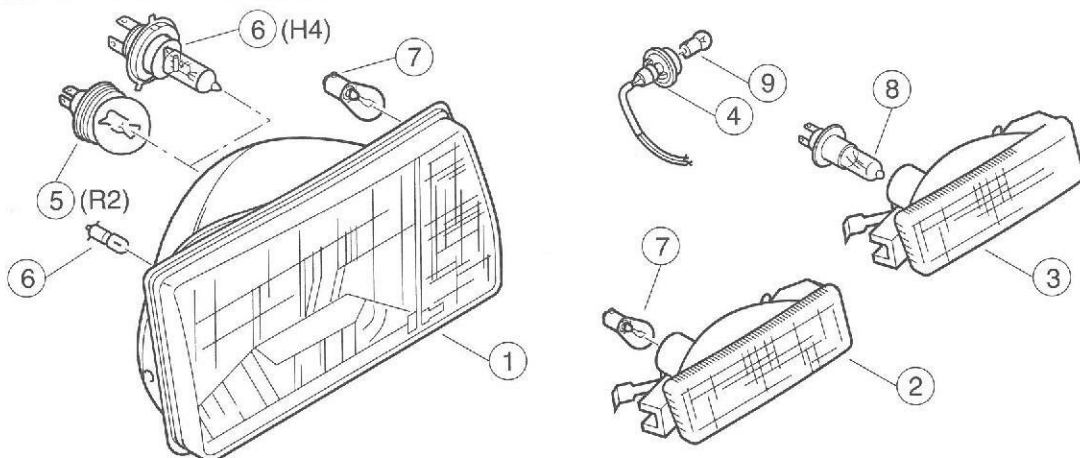


CITROËN EVASION

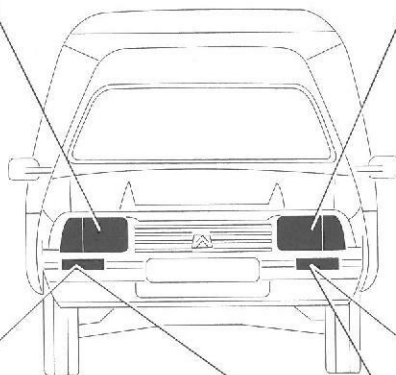


(p) FDR BEIGE SAVANA - FDR SAVANNA BEIGE - FDR BEIGE SAVANA - FDR BEIGE SAVANA - FDR SAVANA BEIGE - FDR BEIGE SAVANA - FDR BEIGE SAVANA
 (q) FZH GRIS BRUME - FZH MIST GREY - FZH GRIS BRUMA - FZH CINZENTO BRUMA - FZH NEBEL GRAU - FZH GRIO BRUMA - FZH GRIS BRUME

CITROËN C15



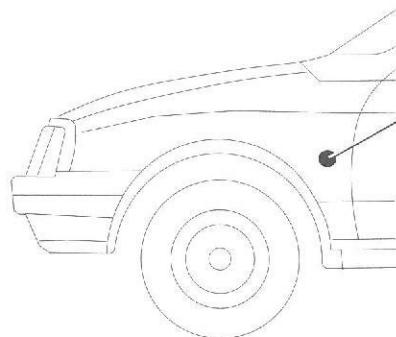
D	1
	95 535 309
	(CAG) → 01/89
	95 653 142 (R2)
	(CAG) 01/89 →
	Sauf RTT (B)
	95 654 070 (H4)
	(CAG) 01/89 →
	RTT (B)
	95 548 216
	NFP
	(CAD) → 01/89
	95 653 144
	(CAD) 01/89 →



G	1
	95 535 308
	(CAG) → 01/89
	95 653 141 (R2)
	(CAG) 01/89 →
	Sauf RTT (B)
	95 654 069 (H4)
	(CAG) 01/89 →
	RTT (B)
	95 548 215
	NFP
	(CAD) → 01/89
	95 653 143
	(CAD) 01/89 →

G/D	5	G/D	6
	R2		T4W
	6216 42		6216 25
	NFP		→ 06/87
	(CAG)		W5W
	6216 41		6216 32
	(CAD)		06/87 →
	H4		
	6216 43		
	NFP		
	(CAG)		
	6216 30		
	(CAD)		

D	2
	95 614 885
	01/89 →



G	2
	95 614 884
	01/89 →

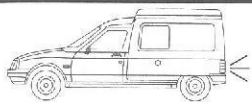
G/D	7
	P21W
	6216 27

G/D	3
	6204 W4
	NFP

G/D	8
	H1
	6216 47

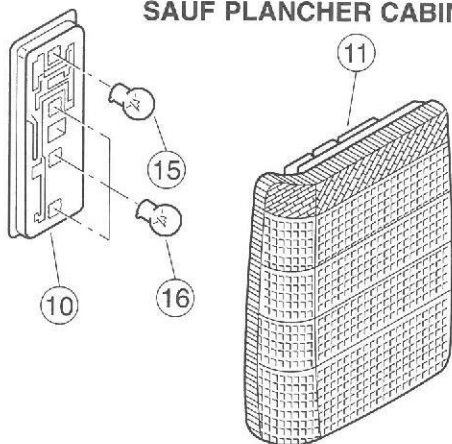
G/D	4
	5 503 138
	→ 04/94
	6325 53
	04/94 →

G/D	9
	R5W
	6216 26

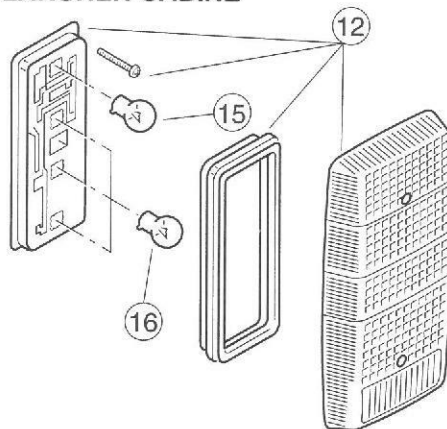


CITROËN C15

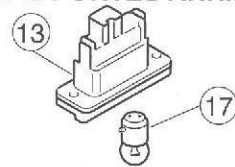
SAUF PLANCHER CABINE



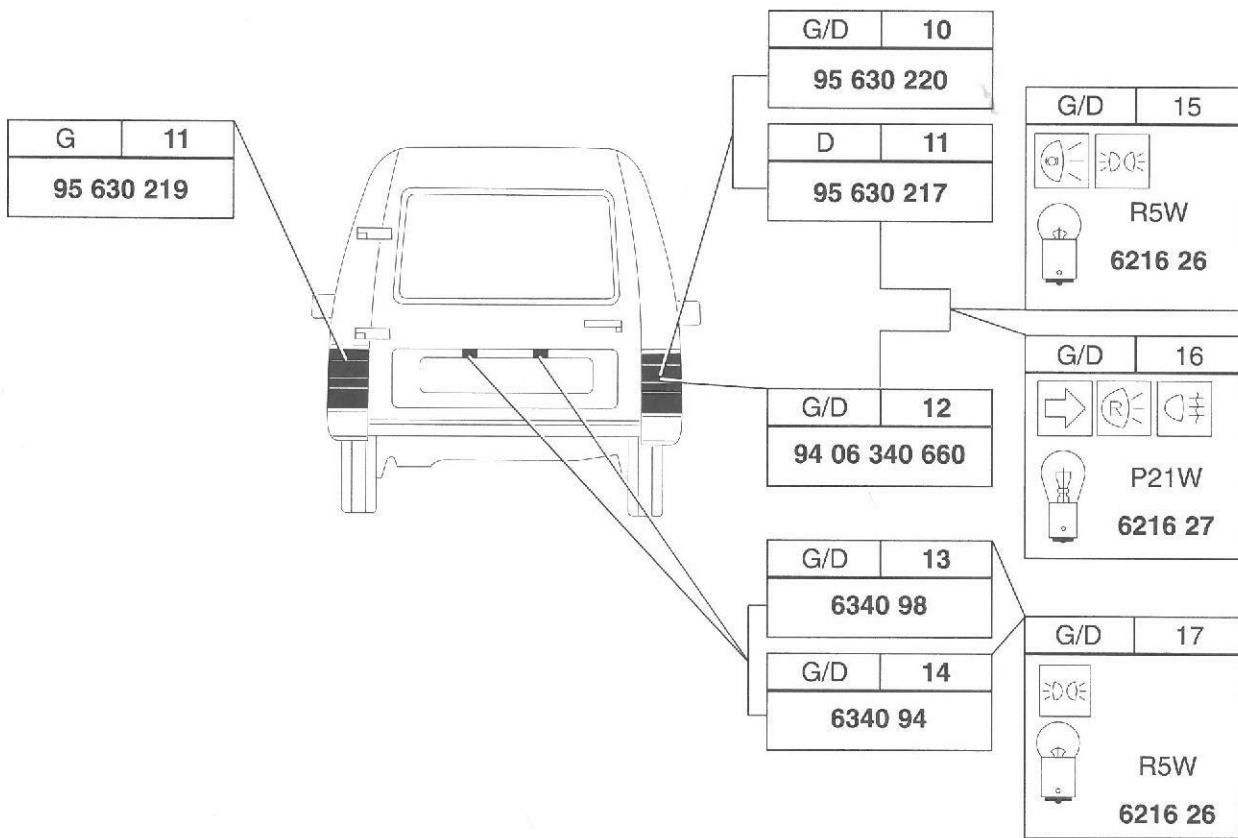
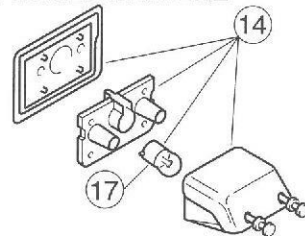
PLANCHER CABINE



SAUF 2 PORTES ARRIERE

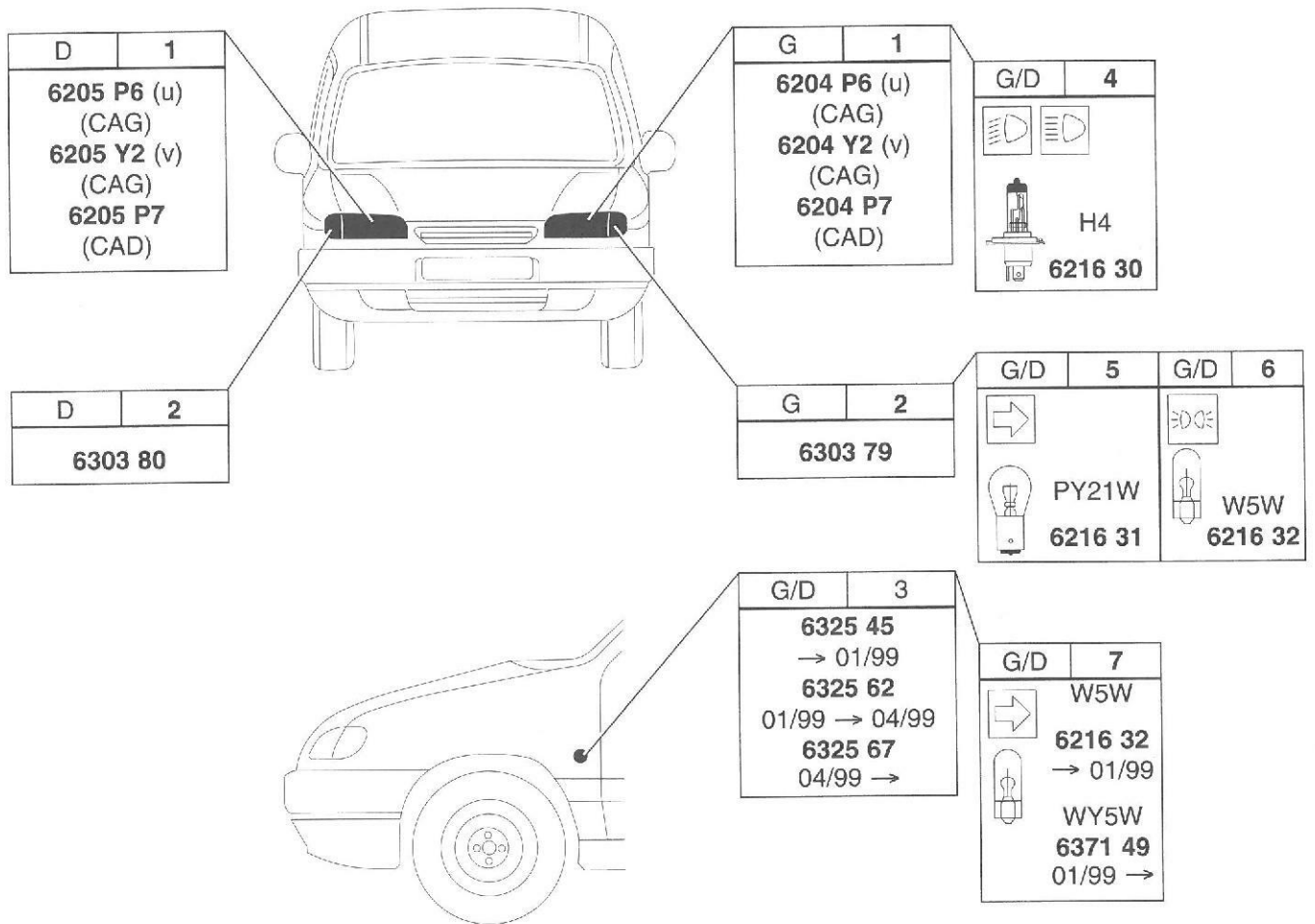
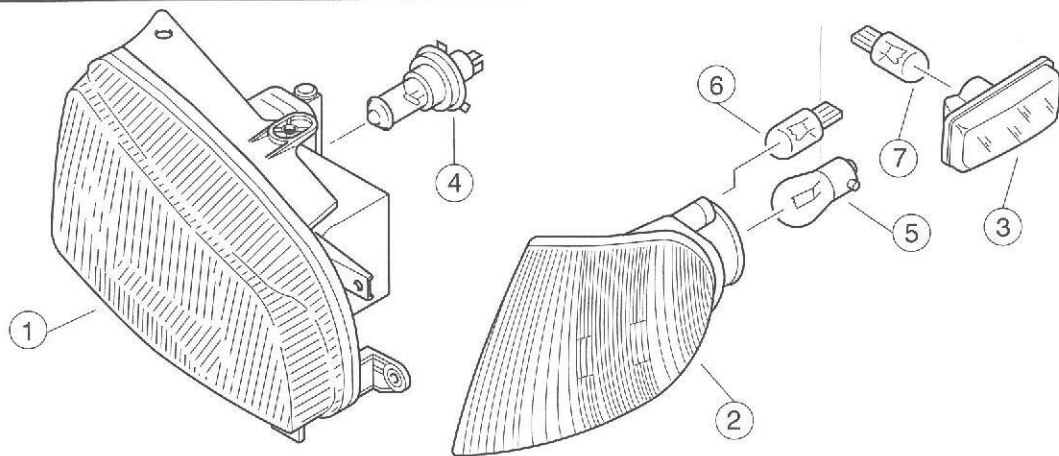
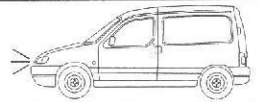


2 PORTES ARRIERE



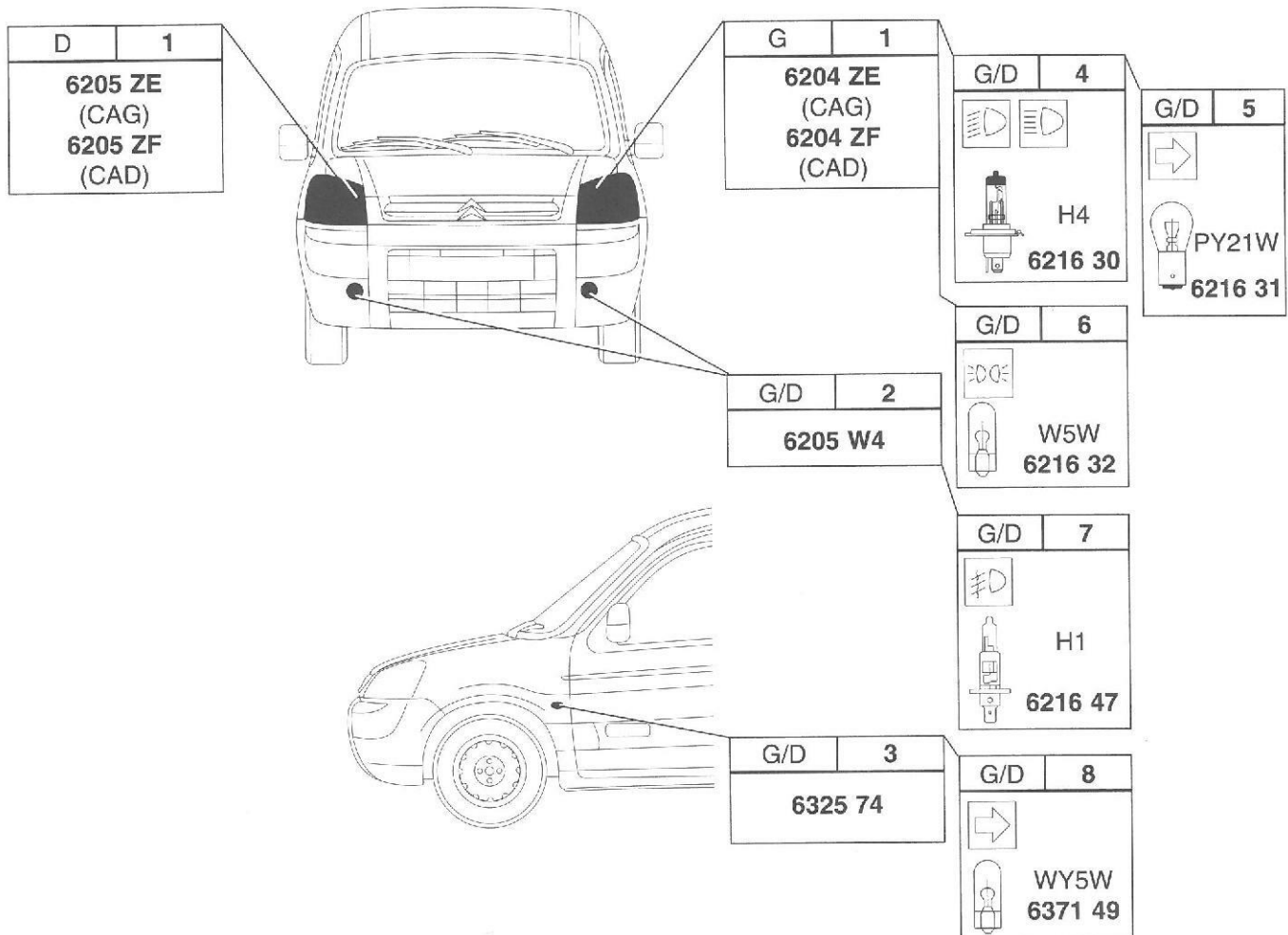
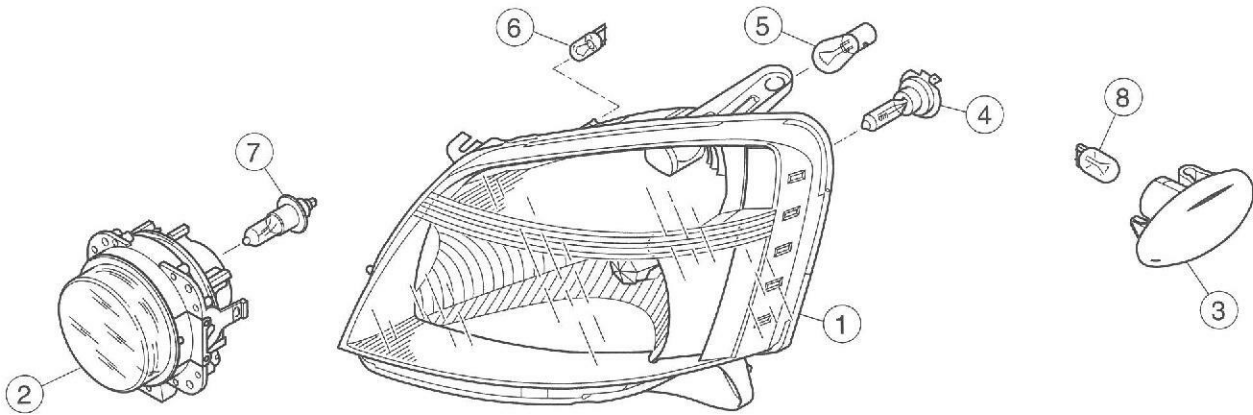
SAUF PLANCHER CABINE - EXCEPT FLOOR CAB - SALVO PISO CABINA - SALVO CHÃO CABINE - AUSSER PRITSCHENWAGEN MIT FAHRERHAUS - SALVO FONDO CABINA - BEHALVE PLANCHER CABINE
 PLANCHER CABINE - FLOOR CAB - PISO CABINA - CHÃO CABINE - PRITSCHENWAGEN MIT FAHRERHAUS - FONDO CABINA - PLANCHER CABINE
 SAUF 2 PORTES ARRIERE - EXCEPT 2 REAR DOORS - SALVO 2 PUERTAS TRASERAS - SALVO 2 PORTAS DE TRÁS - AUSSER 2 TÜREN HINTEN - SALVO 2 PORTIERE POSTERIORI - BEHALVE 2 ACHTERPORTIEREN
 2 PORTES ARRIERE - 2 REAR DOORS - 2 PUERTAS TRASERAS - 2 PORTAS DE TRÁS - 2 TÜREN HINTEN - 2 PORTIERE POSTERIORI - 2 ACHTERPORTIEREN

CITROËN BERLINGO

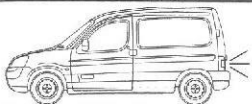


(u) SANS ESSUIE PROJECTEURS - WITHOUT HEADLAMP WIPER - SIN LIMPIA FARO - SEM LIMPIA FAROIS - OHNE SCHEINWERFERWISCHER - SENZA TERGIFARO - ZONDER KOPLAMPWISSER
 (v) ESSUIE PROJECTEURS - HEADLAMP WIPER - LIMPIA FARO - LIMPA FAROIS - SCHEINWERFERWISCHER - TERGIFARO - KOPLAMPWISSER

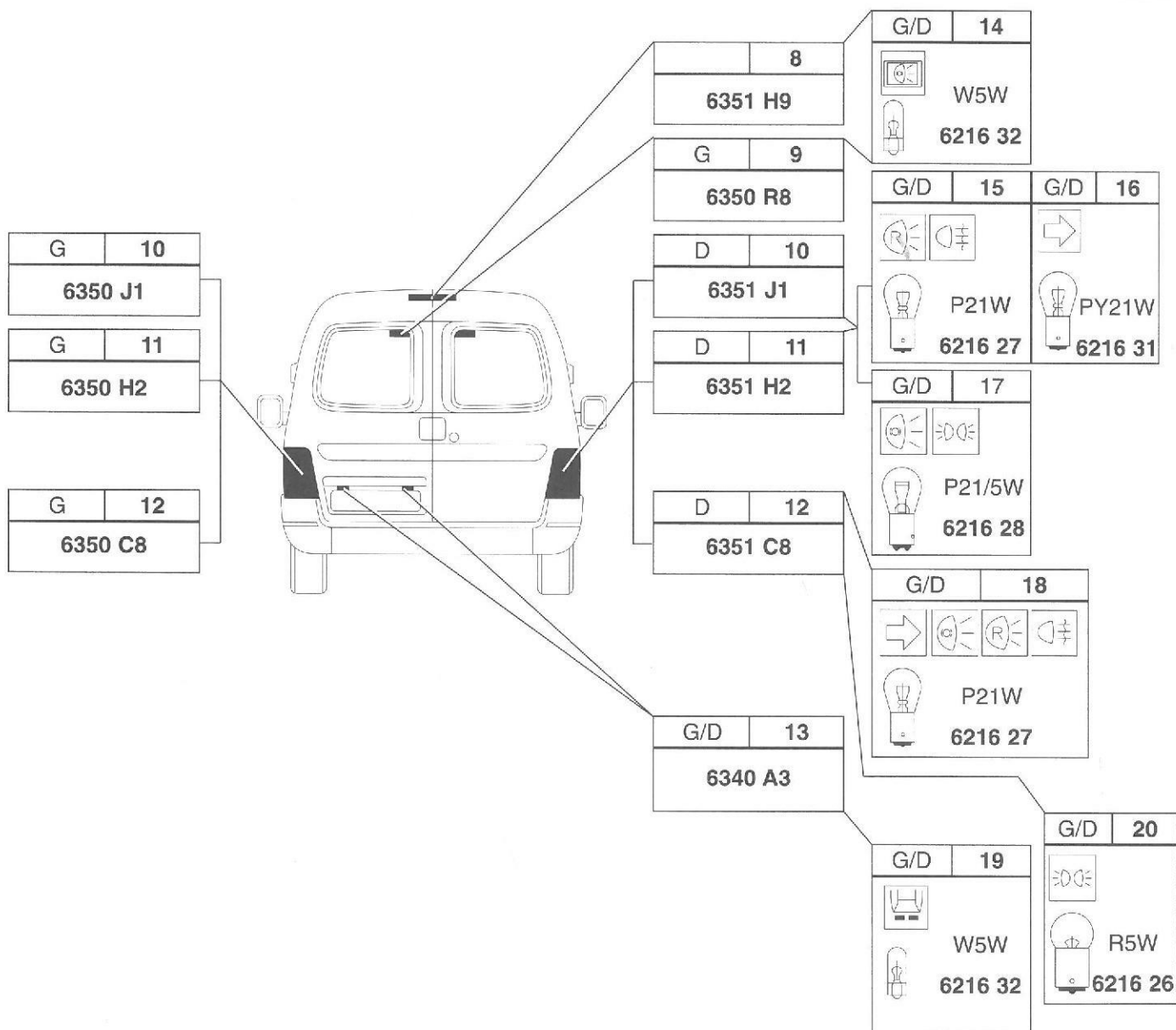
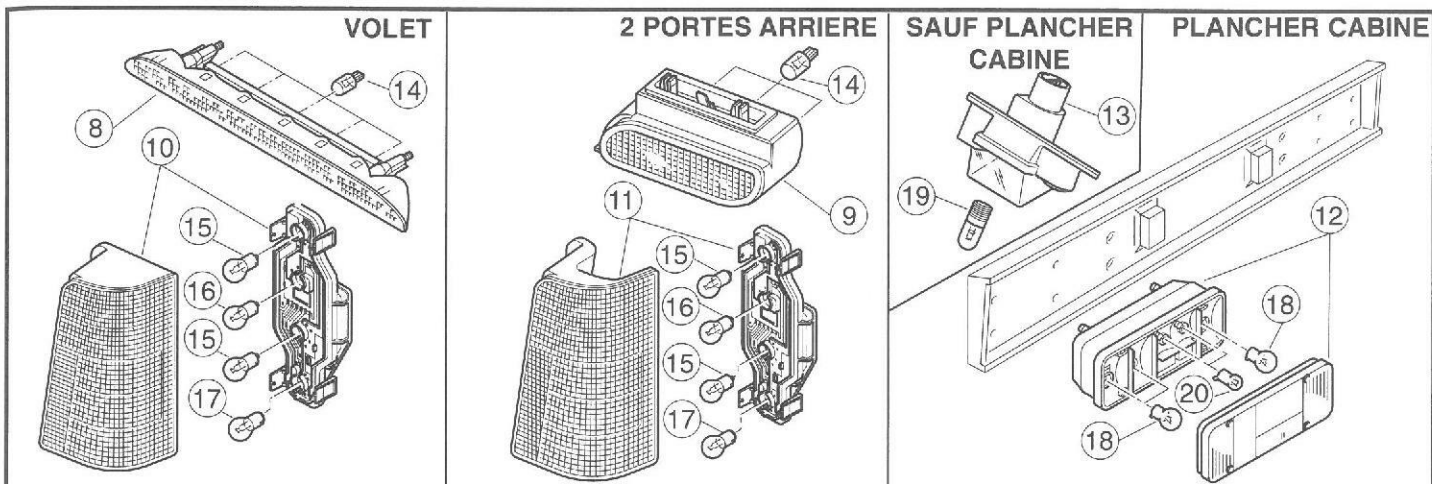
CITROËN BERLINGO II



(U) SANS ESSUIE PROJECTEURS - WITHOUT HEADLAMP WIPER - SIN LIMPIA FARO - SEM LIMPIA FAROIS - OHNE SCHEINWERFERWISCHER - SENZA TERGIFARO - ZONDER KOPLAMPWISSE
 (V) ESSUIE PROJECTEURS - HEADLAMP WIPER - LIMPIA FARO - LIMPIA FAROIS - SCHEINWERFERWISCHER - TERGIFARO - KOPLAMPWISSE

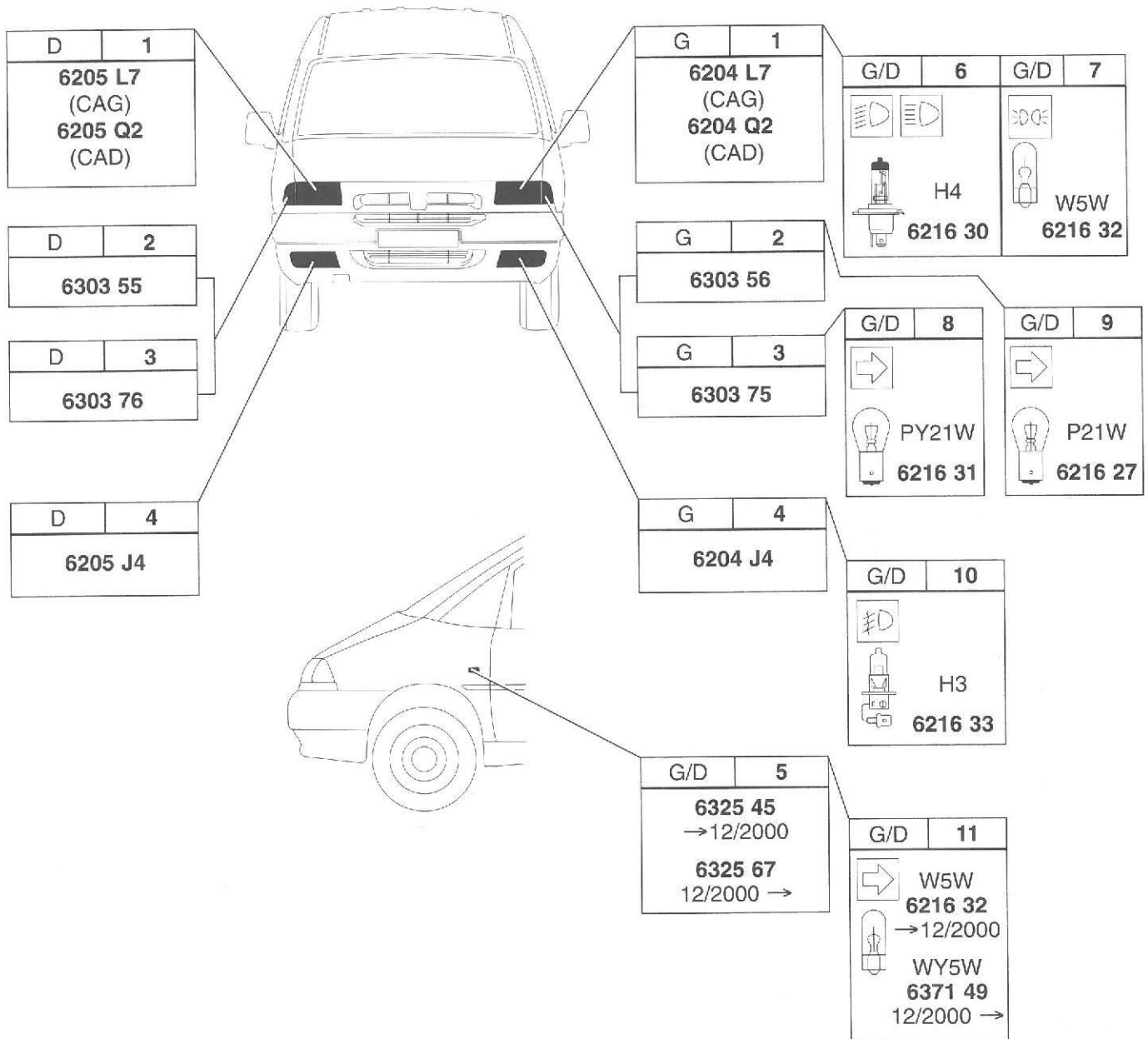
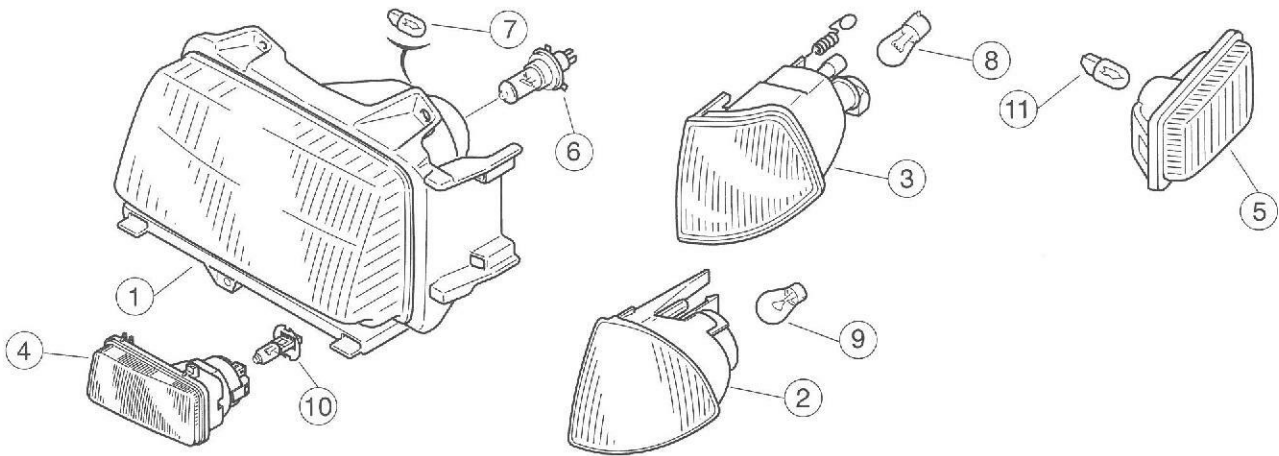


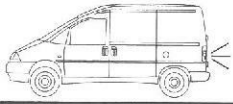
CITROËN BERLINGO II



VOLET - TAILGATE - PORTON - ESTORE - HECKKLAPPE - SPORTELLINO - KLEP
 PLANCHER CABINE - FLOOR CAB - PISO CABINA - CHÁO CABINE - PRITSCHENWAGEN MIT FAHRERHAUS - FONDO CABINA - PLANCHER CABINE
 2 PORTES ARRIERE - 2 REAR DOORS - 2 PUERTAS TRASERAS - 2 PORTAS DE TRAS - 2 TÜREN HINTEN - 2 PORTIERE POSTERIORI - 2 ACHTERPORTIEREN
 SAUF PLANCHER CABINE - EXCEPT FLOOR CAB - SALVO PISO CABINA - SALVO CHÁO CABINE - AUSSER PRITSCHENWAGEN MIT FAHRERHAUS - SALVO FONDO CABINA - BEHALVE PLANCHER CABINE

CITROËN JUMPY

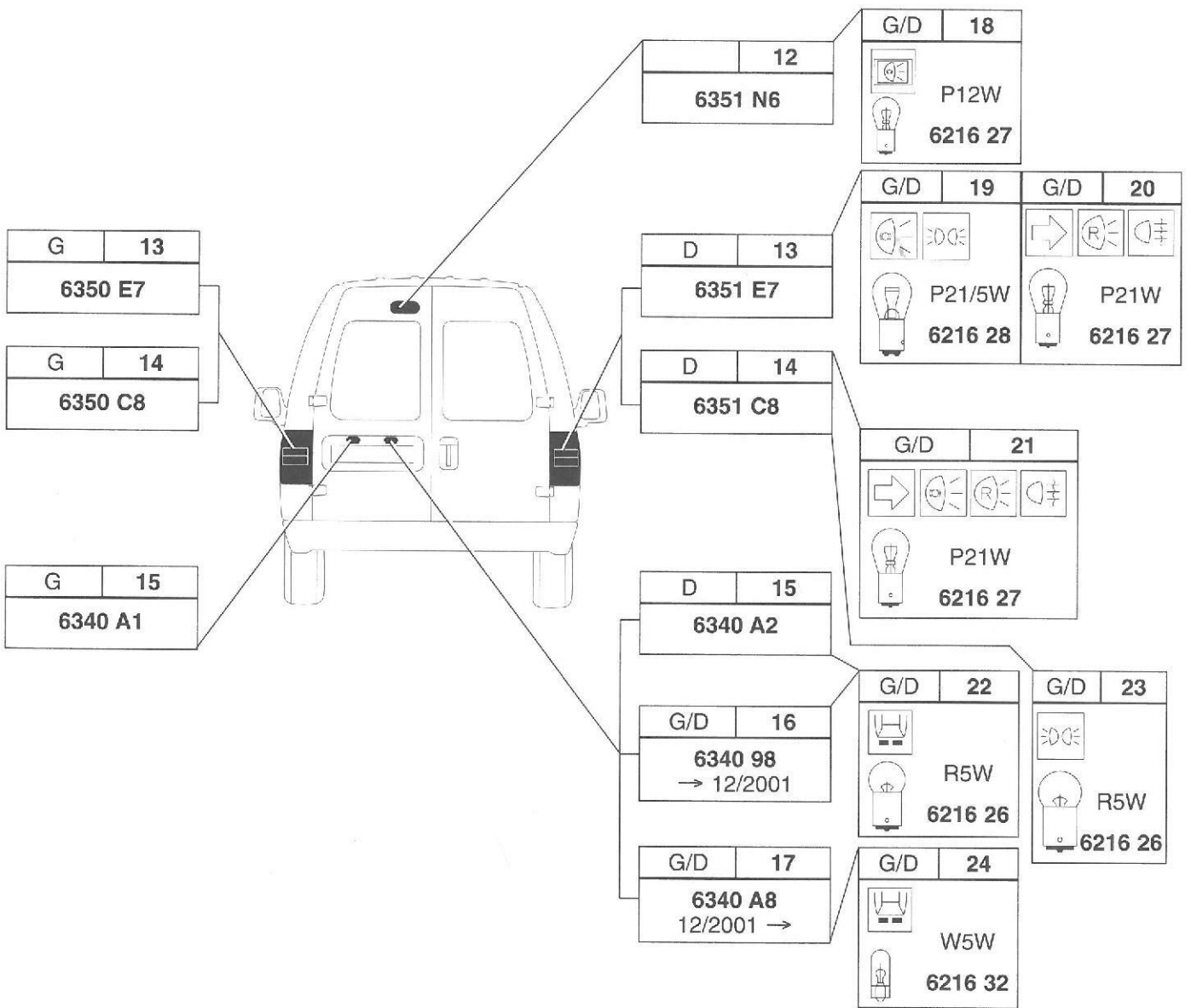
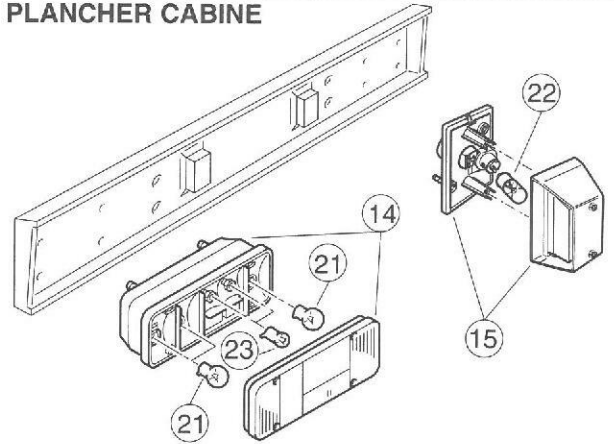
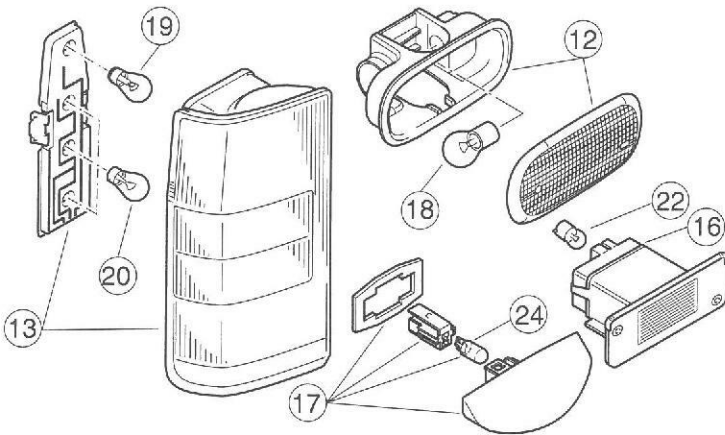




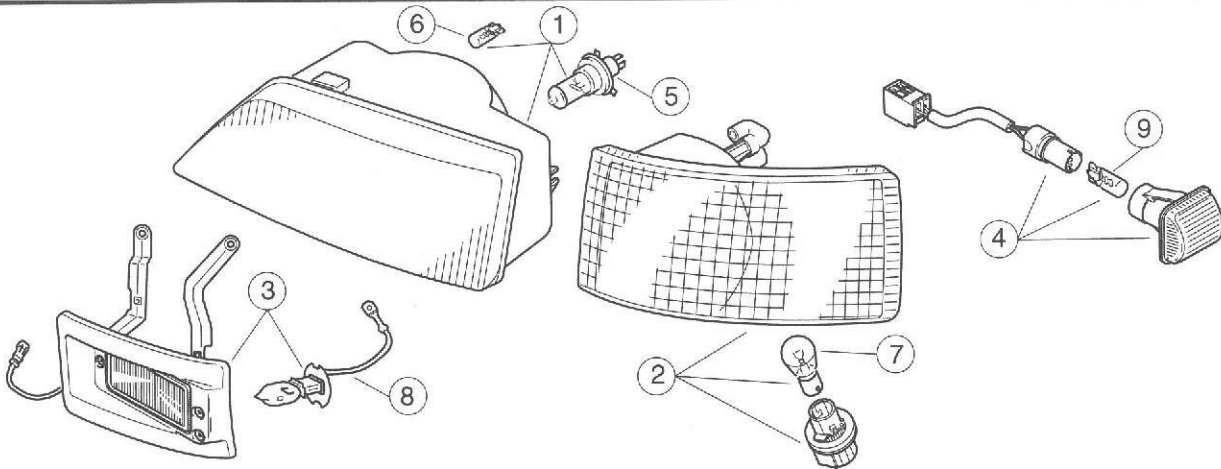
CITROËN JUMPY

SAUF PLANCHER CABINE

PLANCHER CABINE



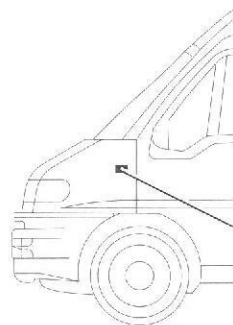
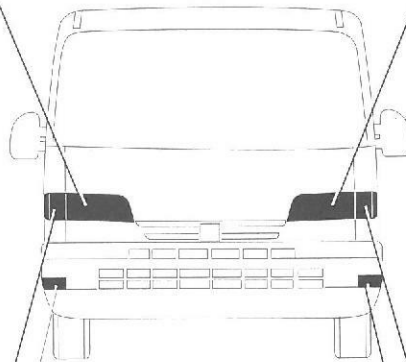
CITROËN JUMPER → 02/2002



D	1
6205 J6 (r)	(CAG) → 08/2000
6205 J7 (s)	(CAG) → 08/2000
6205 L1 (s)(t)	(CAG) → 08/2000
6205 S4 (r)(t)	(CAG) → 08/2000
6205 Y8 (w)	(CAG) 09/2000 →
6205 Y9 (x)	(CAG) 09/2000 →
6205 J8 (s)	(CAD) → 08/2000
6205 K4 (r)	(CAD) → 08/2000
6205 N8 (s)(t)	(CAD) → 08/2000
6205 S5 (r)(t)	(CAD) → 08/2000
6205 Z0 (w)	(CAD) 09/2000 →
6205 Z1 (x)	(CAD) 09/2000 →

D	2
6303 44	

D	3
6205 L3	



G	1
6204 J6 (r)	(CAG) → 08/2000
6204 J7 (s)	(CAG) → 08/2000
6204 L1 (s)(t)	(CAG) → 08/2000
6204 S4 (r)(t)	(CAG) → 08/2000
6204 Y8 (w)	(CAG) 09/2000 →
6204 Y9 (x)	(CAG) 09/2000 →
6204 J8 (s)	(CAD) → 08/2000
6204 K4 (r)	(CAD) → 08/2000
6204 N8 (s)(t)	(CAD) → 08/2000
6204 S5 (r)(t)	(CAD) → 08/2000
6204 Z0 (w)	(CAD) 09/2000 →
6204 Z1 (x)	(CAD) 09/2000 →

G	2
6303 43	

G	3
6204 L3	

G/D	4
6325 36	

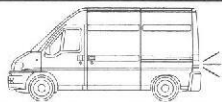
G/D	5	G/D	6
	H4		T4W
	6216 30		6216 25

G/D	7
	PY21W
	6216 31

G/D	8
	H3
	6216 33

G/D	9
	W5W
	6216 32

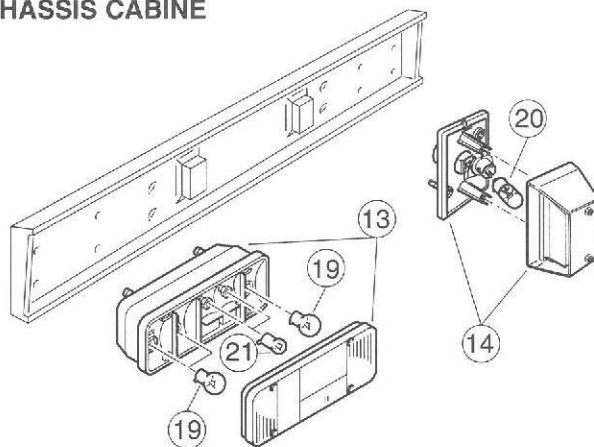
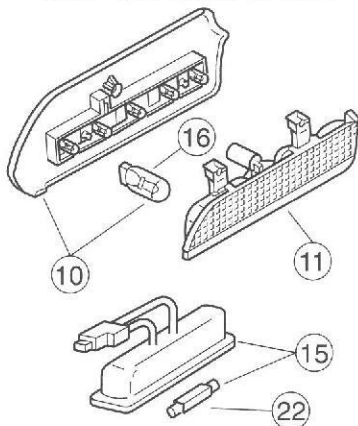
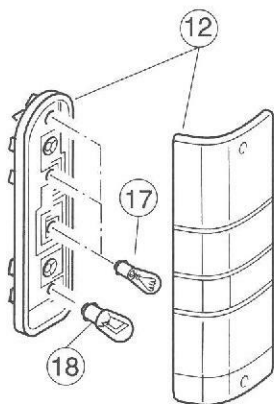
(r) ESSUIE PROJECTEUR - HEADLAMP WIPER - LIMPIA FARO - LIMPA FAROIS - SCHEINWERFERWISCHER - TERGIFARO - KOPLAMPWISSER
 (s) SANS ESSUIE PROJECTEUR - WITHOUT HEADLAMP WIPER - SEM LIMPIA FARO - SEM LIMPA FAROIS - AUSSER SCHEINWERFERWISCHER - SENZA TERGIFARO - BEHALVE KOPLAMPWISSER
 (t) VOIE ELARGIE - WIDE BODY - VIA ENSANCHADA - VIA ELARGADA - VERBREITERTE SPUR - VISTA PANORAMICA - VERLENGTE SPIEGELSTEIN
 (w) FACE AVANT NON ELARGIE - NON ENLARGED FRONT FACE - CARA DELANTERA NO ENSANCHADA - FREITE NÃO ALARGADA - FRONT NICHT VERBREITERT - FACCIA ANTERIORE NON ALLARGATA - FRONT ZONDER VERBREDE SPORING
 (x) FACE AVANT ELARGIE - ENLARGED FRONT FACE - CARA DELANTERA ENSANCHADA - FREITE ALARGADA - FRONT VERBREITERT - FACCIA ANTERIORE ALLARGATA - FRONT MET VERBREDE SPORING



CITROËN JUMPER → 02/2002

SAUF CHASSIS CABINE

CHASSIS CABINE



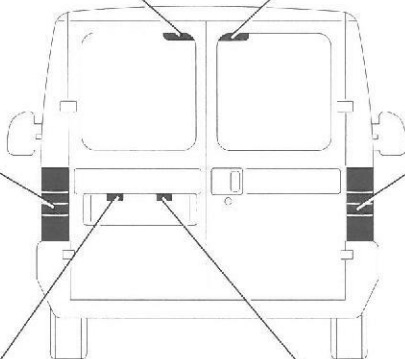
G	10
6350 N3	

G	11
6350 N5	

G	12
6350 C7	

G	13
6350 C8 (CAG) ZF 07 698 774 (CAD)	

G	14
6340 69	



D	10
6351 N3	

D	11
6351 N5	

D	12
6351 C7	

D	13
6351 C8 (CAG) ZF 07 698 773 (CAD)	

D	14
6340 70	

D	15
6340 92 → S 15751870 deo 6542 XN (1) → 15229479 6340 A8 S 15751871 →	

G/D	16
W5W 6216 32	

G/D	17
P21W 6216 27	

G/D	18
P21/4W 6216 52	

G/D	19
P21W 6216 27	

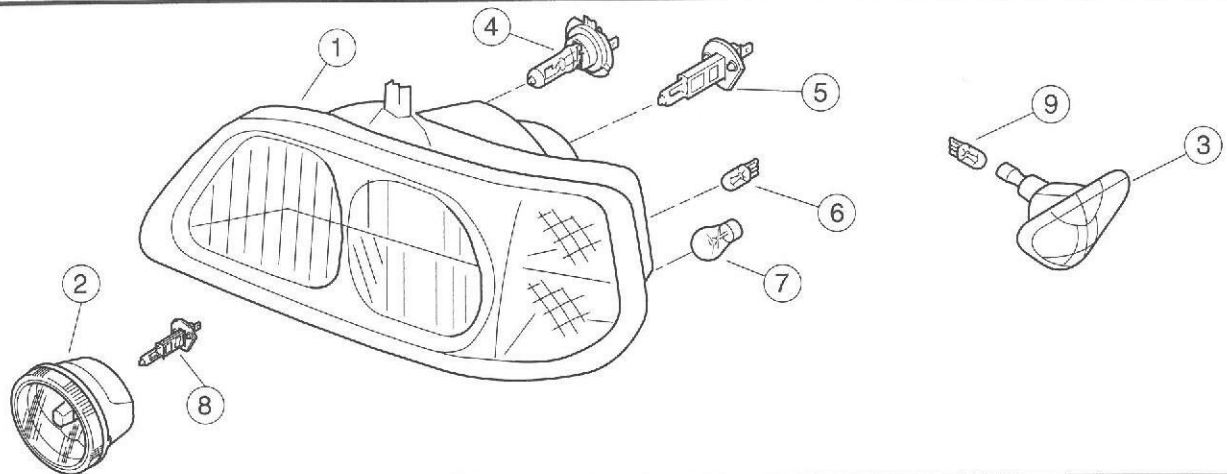
G/D	20
R5W 6216 26	

G/D	21
R5W 6216 26	

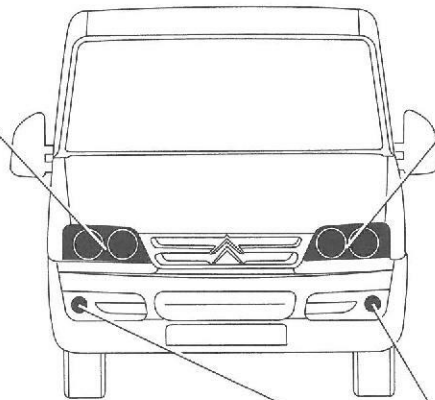
G/D	22
C5W 6216 29 → S 15751870	
W5W 6216 32 S 15751871 →	

CHASSIS CABINE : CHASSIS CAB - CHASSIS CABINA - CHASSIS CABINE - FAHRGESTELL PRITSCHÉ - SCOCCA CABINA - CHASSIS CABINE - TELAIO CABINA - CHASSIS CABINE
 SAUF CHASSIS CABINE : EXCEPT CHASSIS CAB - SALVO CHASSIS CABINA - EXCEPTO CHASSIS CABINE - AUSSER FAHRGESTELL PRITSCHÉ - SALVO SCOCCA CABINA - BEHALVE CHASSIS CABINE - SALVO TELAIO
 CABNA - BEHALVE CHASSIS CABINE

CITROËN JUMPER 02/2002 →



D	1
	6206 10
	RP 6205 ZJ
	+ 6212 64
	(CAG)
	6206 11
	RP 6205 ZK
	+ 6212 64
	(CAD)



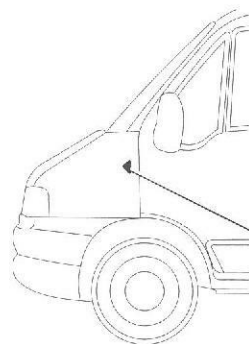
G	1
	6208 10
	RP 6204 ZJ
	+ 6212 65
	(CAG)
	6208 11
	RP 6204 ZK
	+ 6212 65
	(CAD)

G/D	4	G/D	5
	H7		H1
	6216 56		6216 47

G/D	6	G/D	7
	W5W		PY21W
	6216 32		6216 31

G/D	2
	6208 26

G/D	8
	H1
	6216 47



G/D	3
	6325 F4

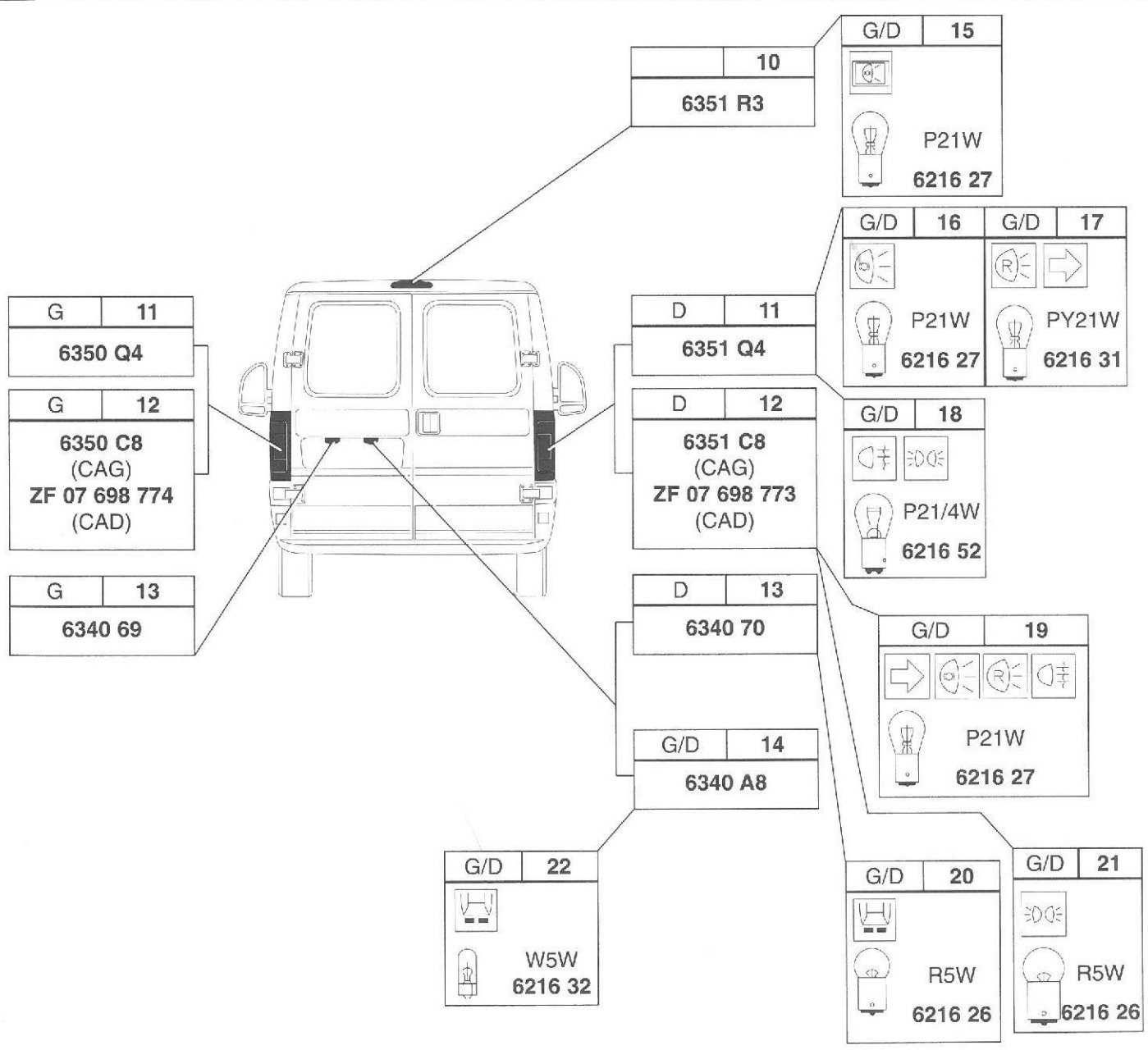
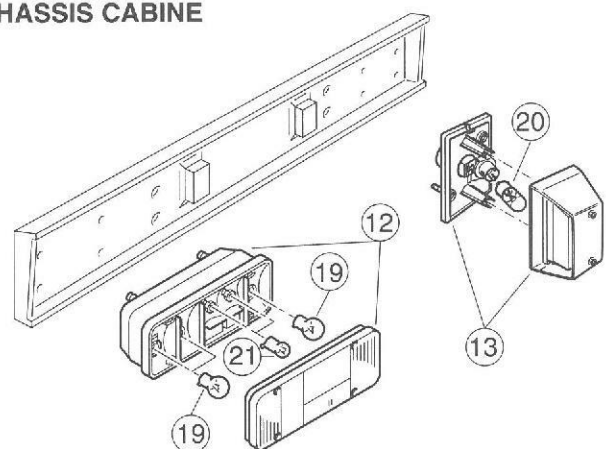
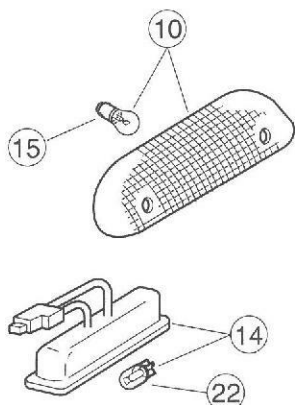
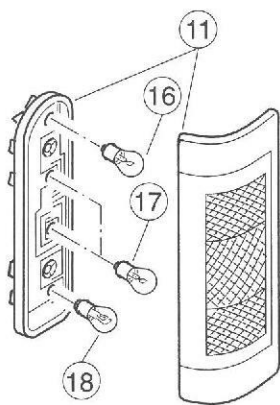
G/D	9
	W5W
	6216 32



CITROËN JUMPER 02/2002 →

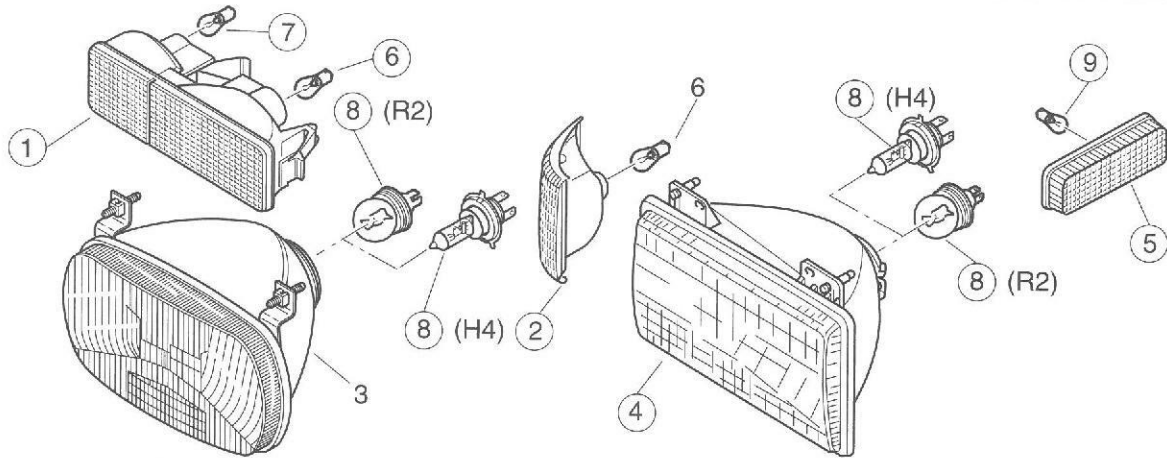
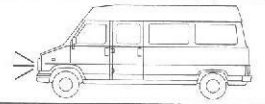
SAUF CHASSIS CABINE

CHASSIS CABINE



CHASSIS CABINE : CHASSIS CAB - CHASSIS CABINA - CHASSIS CABINE - FAHRGESTELL PRITSCHKE - SCOCCHA CABINA - CHASSIS CABINE - TELAIO CABINA - CHASSIS CABINE
 SAUF CHASSIS CABINE : EXCEPT CHASSIS CAB - SALVO CHASSIS CABINA - EXCEPTO CHASSIS CABINE - AUSSER FAHRGESTELL PRITSCHKE - SALVO SCOCCHA CABINA - BEHALVE CHASSIS CABINE - SALVO TELAIO CABINA - BEHALVE CHASSIS CABINE

CITROËN C25



D	2
ZF 07 661 821	
07/90 →	

G/D	3
95 598 573	
→ 00413553	
R2 (CAG)	
95 598 572	
→ 00413553	
H4 (CAG)	
95 619 719	
→ 00413553	
NFP	
(CAD)	

D	4
96 023 421 (j)	
S 00413554 →	
H4 (CAG)	
ZF 07 660 573 (a)	
05/90 →	
H4 (CAG)	
96 023 419 (j)	
S 00413554 →	
R2 (CAG)	
ZF 07 660 569 (a)	
05/90 →	
R2 (CAG)	
96 023 425 (j)	
S 00413554 →	
H4 (CAD)	
Sauf (N) (S) (SF)	
ZF 07 660 579 (a)	
S 00413554 →	
H4 (CAD)	
Sauf (N) (S) (SF)	
ZF 07 660 581 (a)	
05/90 →	
H4 (CAD)	
(N) (S) (SF)	
96 023 423 (j)	
S00413554 →	
R2 (CAD)	
ZF 07 660 577 (a)	
05/90 →	
R2 (CAD)	

G/D	1
95 565 893	
(NFP)	
→ 06/84	
95 598 574	
07/84 → 06/90	

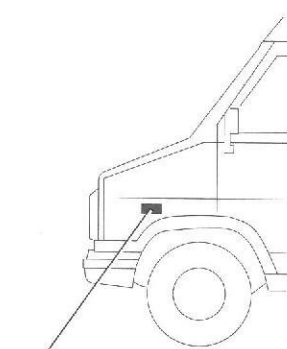
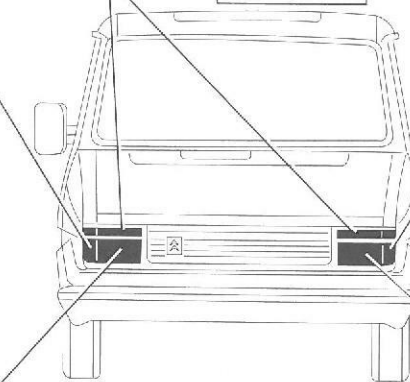
G/D	6
P21W	
6216 27	

G/D	7
R5W	
6216 26	

G	2
ZF 07 661 822	
07/90 →	

G/D	3
95 598 573	
→ 00413553	
R2 (CAG)	
95 598 572	
→ 00413553	
H4 (CAG)	
95 619 719	
→ 00413553	
NFP	
(CAD)	

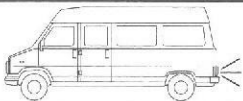
G	4
96 023 422 (j)	
S 00413554 →	
H4 (CAG)	
ZF 07 660 574 (a)	
05/90 →	
H4 (CAG)	
96 023 420 (j)	
S 00413554 →	
R2 (CAG)	
ZF 07 660 570 (a)	
05/90 →	
R2 (CAG)	
96 023 426 (j)	
S 00413554 →	
H4 (CAD)	
Sauf (N) (S) (SF)	
ZF 07 660 580 (a)	
S 00413554 →	
H4 (CAD)	
Sauf (N) (S) (SF)	
ZF 07 660 582 (a)	
05/90 →	
H4 (CAD)	
(N) (S) (SF)	
96 023 424 (j)	
S00413554 →	
R2 (CAD)	
ZF 07 660 578 (a)	
05/90 →	
R2 (CAD)	



G/D	5
6325 22	
→ 04/90	
6325 30	
05/90 →	

G/D	9
W5W	
6216 32	

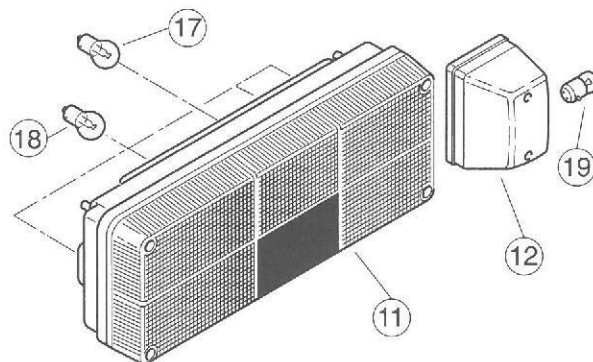
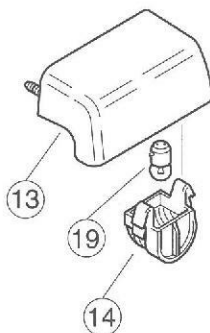
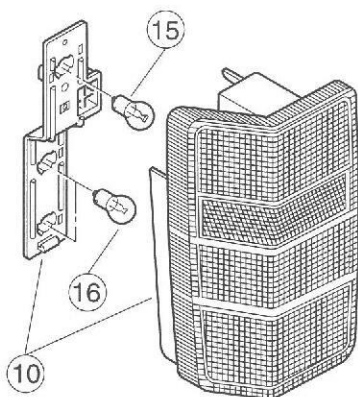
G/D	8
R2	
6216 42	
NFP	
H4	
6216 43	
NFP	



CITROËN C25

FOURGON

CHASSIS CABINE



G	10
ZF 07 567 805 (CAG)	
ZF 07 567 807 (CAD)	

G	11
ZF 05 948 275 (CAG)	
→ 07/84	
ZF 07 567 811 (CAG)	
07/84 → 05/90	
6350 C8 (CAG)	
05/90 →	
ZF 07 567 813 NFP (CAD)	
→ 05/90	
ZF 07 698 774 (CAD)	
05/90 →	

G	12
6340 69	

D	10
ZF 07 567 804 (CAG)	
ZF 07 567 806 (CAD)	

D	11
ZF 05 948 274 (CAG)	
→ 07/84	
ZF 07 567 810 (CAG)	
07/84 → 05/90	
6351 C8 (CAG)	
05/90 →	
ZF 07 567 812 NFP (CAD)	
→ 05/90	
ZF 07 698 773 (CAD)	
05/90 →	

D	12
6340 70	

	13
6340 68	

	14
6348 26	

G/D	15
P21/5W	
6216 28	

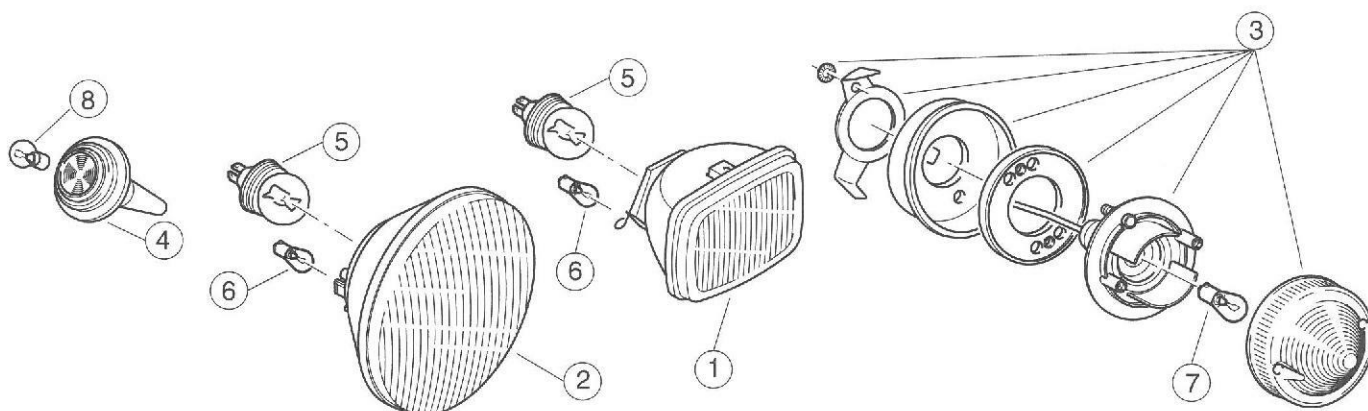
G/D	16
P21W	
6216 27	

G/D	17
R5W	
6216 26	

G/D	18
P21W	
6216 27	

G/D	19
W5W	
6216 26	

2 CV



D	3
95 611 065 (PAM) Sauf XT XT NFP	

G/D	1
95 623 250 deo 95 623 249 (1) (CAG) 1 POS 5 505 727 12/76 → (CAG) 2 POS 95 623 251 NFP deo 95 623 249 (1) 11/77 → (CAD)	

G/D	5	G/D	6
R2 6216 42 ** NFP 6216 41 *		T4W 6216 25	

G/D	2
95 623 247 deo 95 623 249 (1) NFP (CAG) 95 623 248 NFP 7/79 → (CAD)	

G	3
95 611 064 (PAM) Sauf XT XT NFP	

G/D	7
P21W 6216 27	

G/D	4
5 503 138 (I) (DK) (N) 01/81 →	

G/D	8
T2W 6216 38	

* - BLANCHE - WHITE - BLANCA - BRANCA - WEISS - BIANCO - WIT
** - JAUNE - YELLOW - AMARILLA - AMARELA - GELB - GIALLO - GEEL

DEO - DEMANDE EN OUTRE - ORDER IN ADDITION - PEDIR ADEMÁS - PEDIDO ALÉM DE - ZUSÄTZLICHE MONTAGE VON - A CONDIZIONE DI MONTRE MET BULEVERING

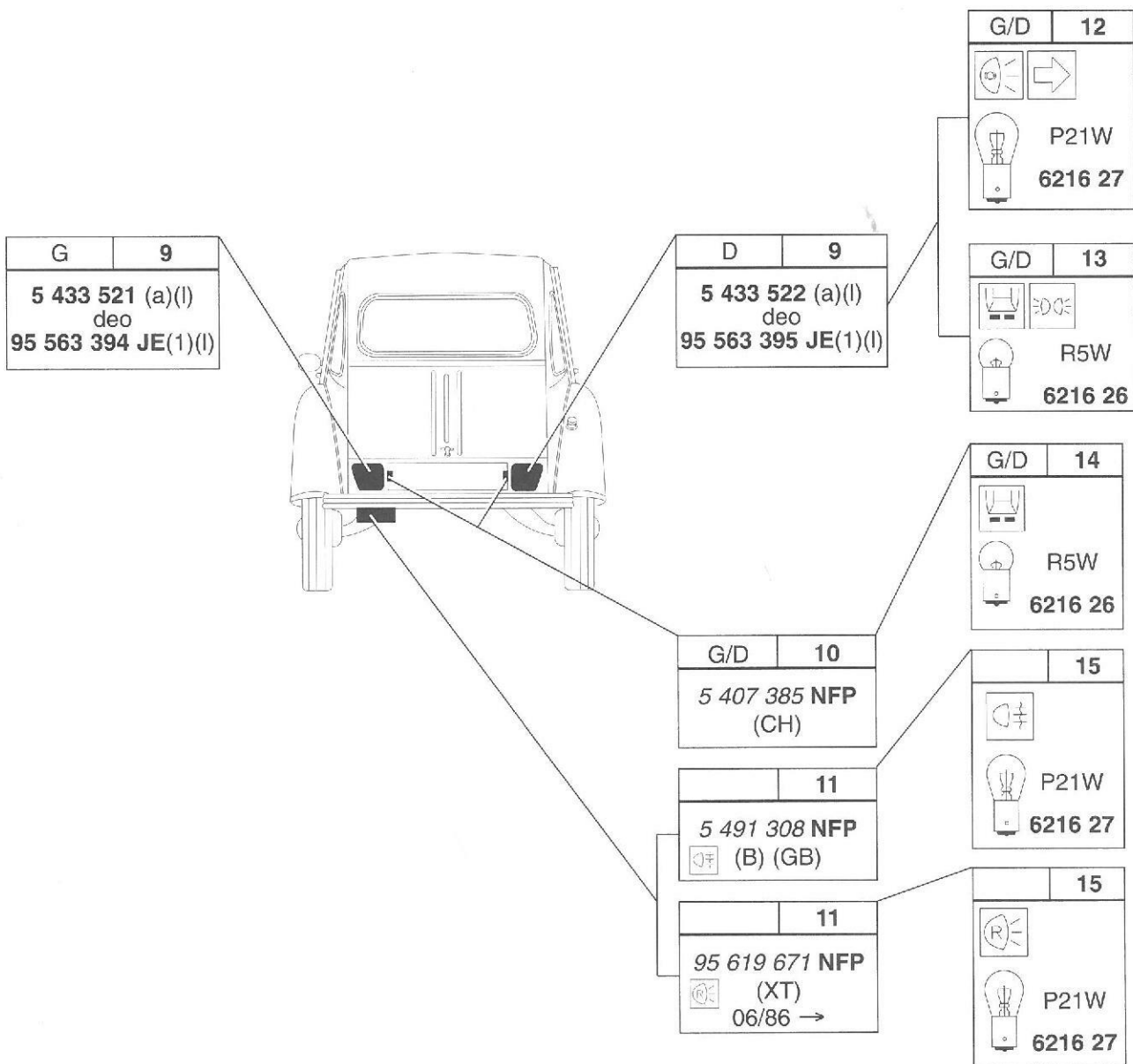
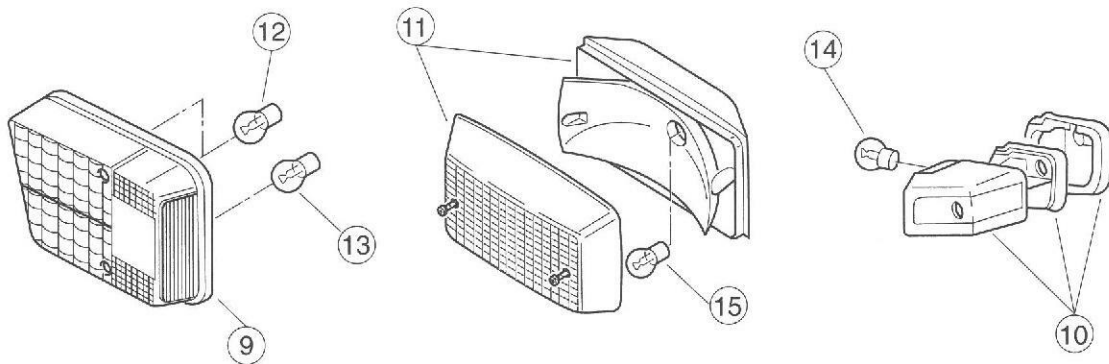
PAM - PRET A MONTER - PARTS KITS - PAM - PRONTO A MONTAR - KOMPLETTSATZ - PRONTO MONTAGGIO - PAM-SET

XT - EXPORT - EXPORT - EXPORTACION - EXPORTAÇÃO - EXPORT - EXPORT - EXPORT

NFP - NE FOURNISSEONS PLUS - NOT SUPPLIED ANY MORE - NO SE SIRVE MAS - NÃO FORNECEMOS MAIS - NICHT MEHR LIEFERBAR - NON SI VENDE PIÙ - NIET MEER LEVERBAAR

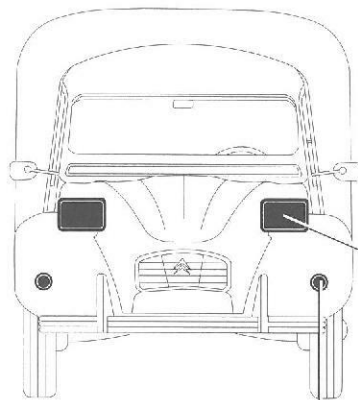
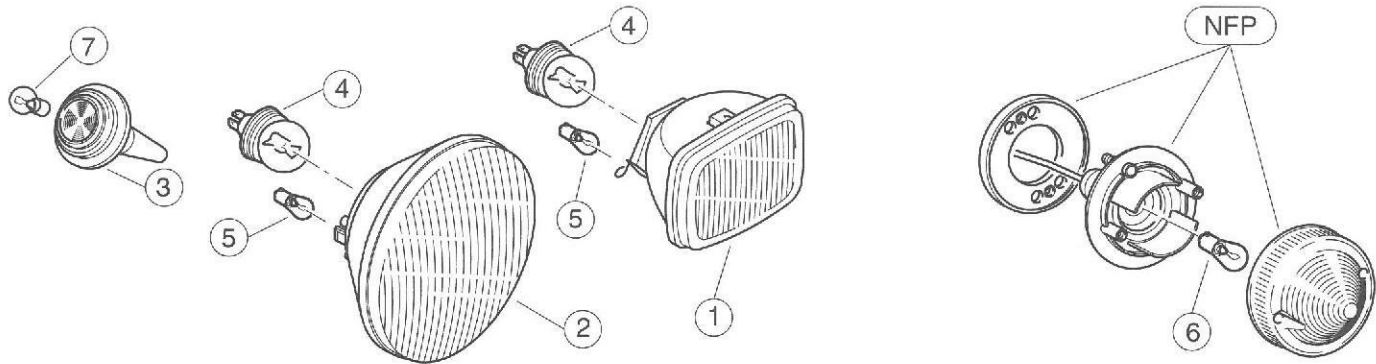
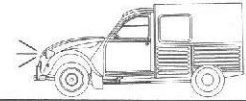


2 CV



(a) SEIMA
 (l) ALTISSIMO
 XT - EXPORT - EXPORT - EXPORTACION - EXPORTAÇÃO - EXPORT - EXPORT - EXPORT
 DEO - DEMANDE EN OUTRE - ORDER IN ADDITION - PEDIR ADEMAS - PEDIDO ALÉM DE - ZUSÄTZLICHE MONTAGE VON - A CONDIZIONE DI MONTRE MET BIJLEVERING

AZU - AKS

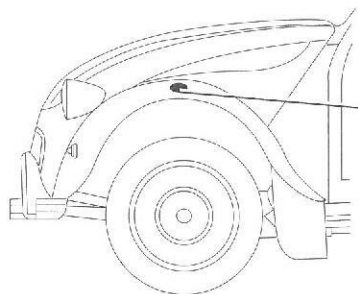


G/D	1
95 623 250	
deo	
95 623 249 (1)	
(CAG) 1 POS	
5 505 727	
12/76 →	
(CAG) 2 POS	
95 492 141	
NFP	
(CAD)	

G/D	4	G/D	5
	R2		T4W
	6216 42 **		6216 25
	NFP		
	07/72 →		07/72 →
	6216 41 *		
	07/72 →		

G/D	2
95 623 247	
deo	
95 623 249 (1)	
→ 09/74	

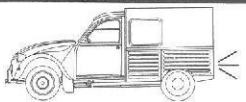
G/D	6
	P21/5W
	6216 28



G/D	3
5 503 138	

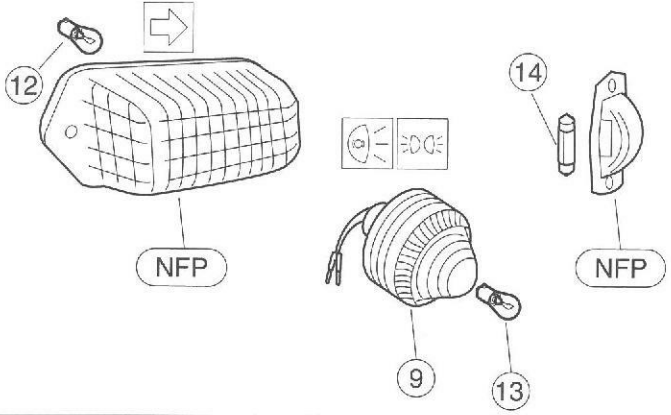
G/D	7
	T4W
	6216 25

NFP - NE FOURNISSONS PLUS - NOT SUPPLIED ANY MORE - NO SE SIRVE MAS - NÃO FORNECEMOS MAIS - NICHT MEHER LIEFERBAR - NON SI VENDE PIÙ - NIET MEER LEVERBAAR
 DEO : DEMANDE EN OUTRE - ORDER IN ADDITION - PEDIR ADEMÁS - PEDIDO ALÉM DE - ZUSÄTZLICHE MONTAGE VON - A CONDIZIONE DI MONTRE MET BIJEVERING
 * BLANCHE - WHITE - BLANCA - BRANCA - WEISS - BIANCO - WIT
 ** JAUNE - YELLOW - AMARILLA - AMARELA - GELB - GIALLO - GEEL

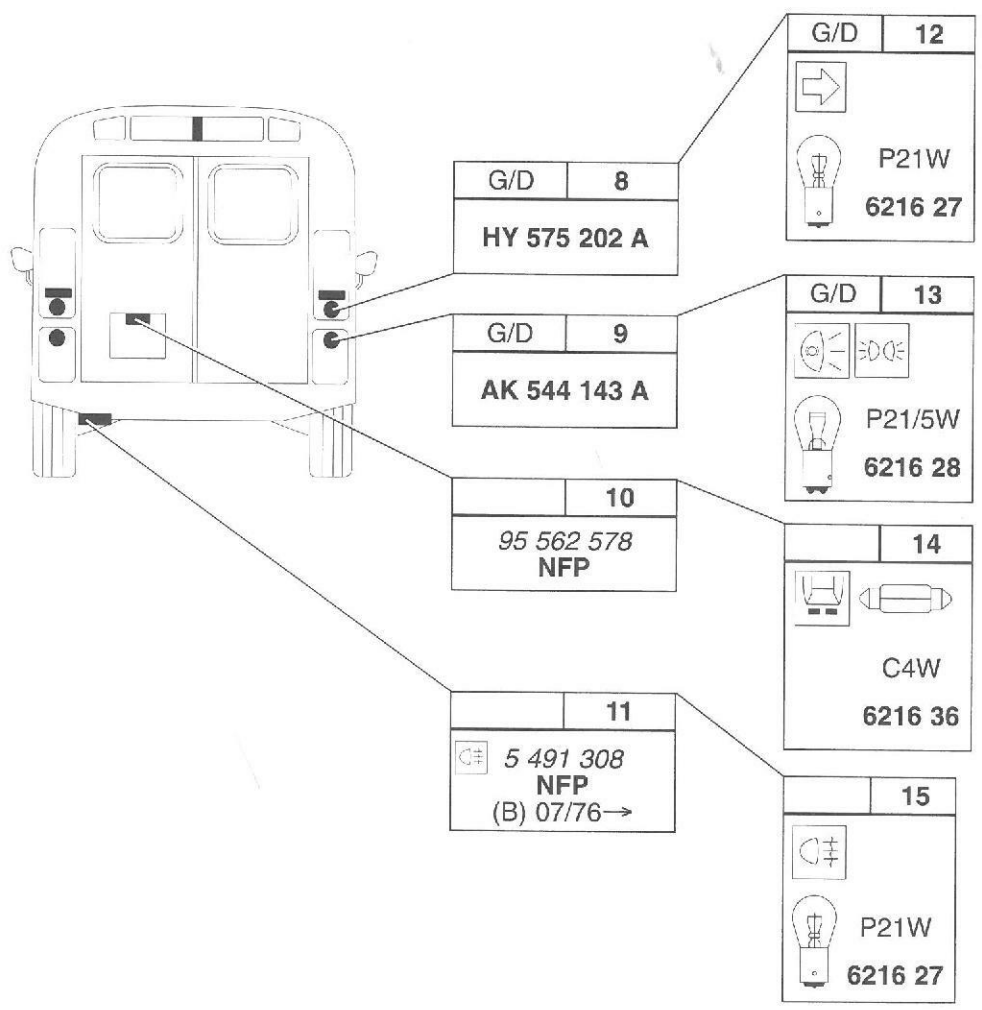
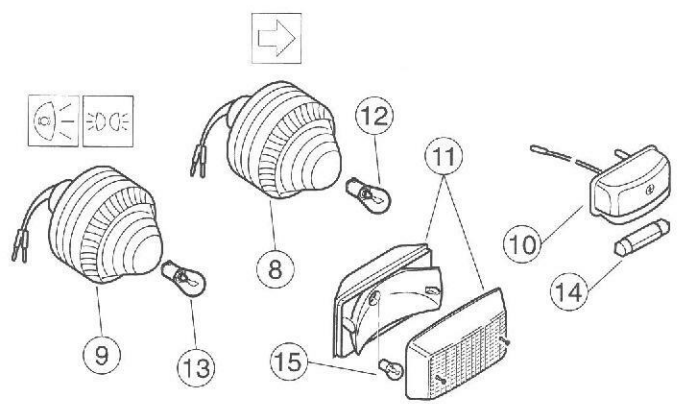


AZU - AKS

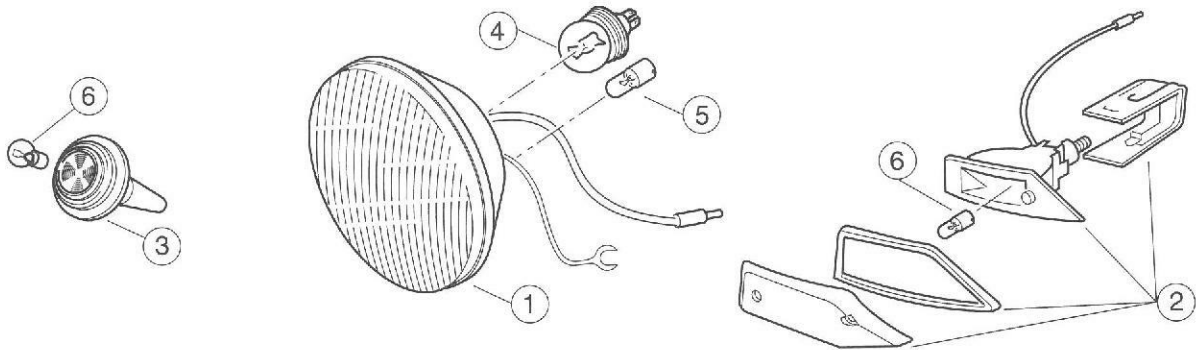
AZU



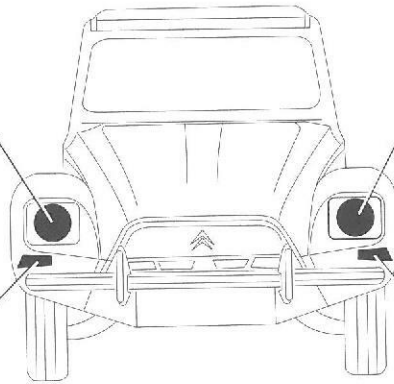
AKS



DYANE



D	1
AY 541 219 A (b) →12/78	
95 539 463 (b) 12/78 →	
AY 541 181 A (k) NFP	



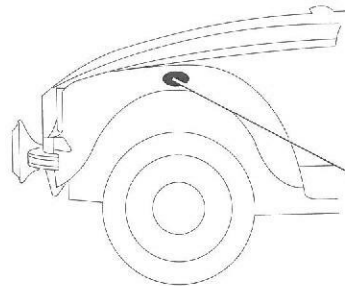
G	1
AY 541 218 A (b) NFP →12/78	
95 539 463 (b) 12/78 →	
AY 541 181 A (k)	

G/D	4	G/D	5
R2 6216 42 **		T4W	
NFP 6216 41 *		6216 25	

D	2
AY 575 012 A (a) (l) 10/76 →	
AY 575 253 A (g) (l) 10/76 →	

G	2
AY 575 011 A (a) (l) 10/76 →	
AY 575 252 A (g) (l) 10/76 →	

G/D	6
T2W 6216 38	



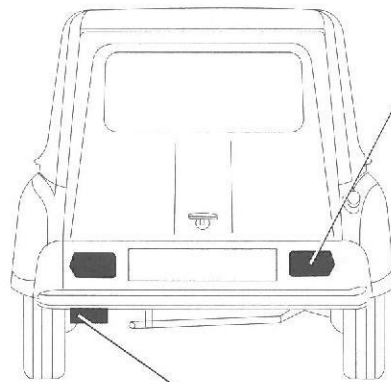
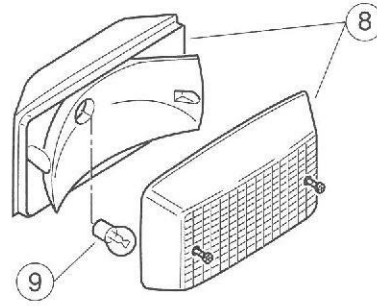
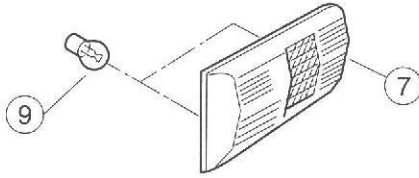
G/D	3
5 503 138 (XT) 01/71 →	

G/D	6
T2W 6216 38	

(a) SEIMA
 (b) CIBIE
 (k) MARCHAL
 (g) AXO
 XT - EXPORT - EXPORT - EXPORTACION - EXPORTAÇÃO - EXPORT - EXPORT - EXPORT
 * BLANCHE - WHITE - BLANCA - BRANCA - WEISS - BIANCO - WIT
 ** JAUNE - YELLOW - AMARILLA - AMARELA - GELB - GIALLO - GEEL



DYANE



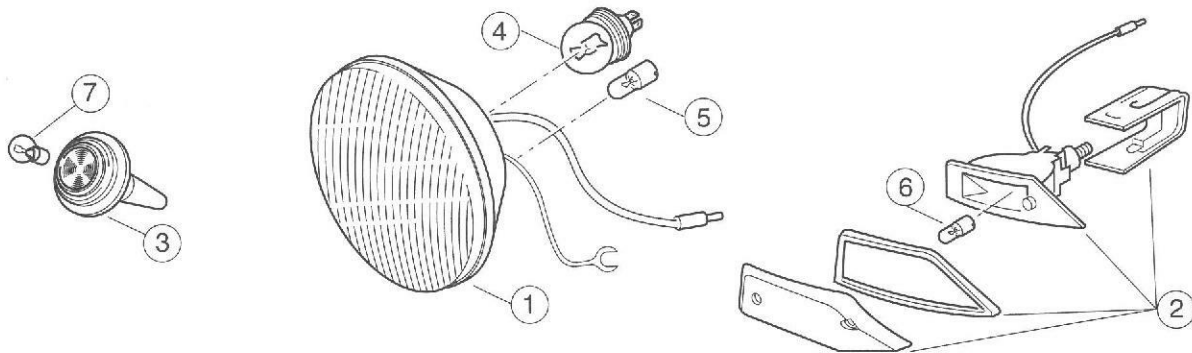
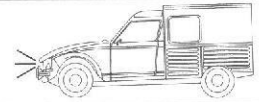
G/D	7
5 474 432	
Sauf (XT)	
6/75 →	
XT	
NFP	

G/D	9
	P21W
	6216 27

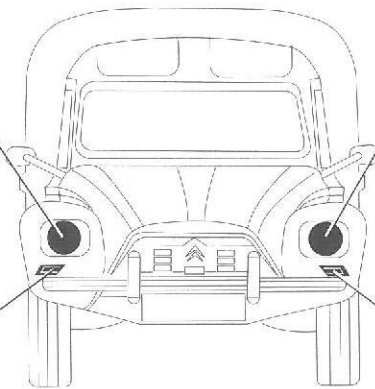
	8
	5 491 308 NFP
	(B)
	(GB) 10/79 →

	9
	P21W
	6216 27

ACADIANE



D	1
AY 541 219 A (b)	→12/78
95 539 463 (b)	12/78 →
AY 541 181 A (k)	



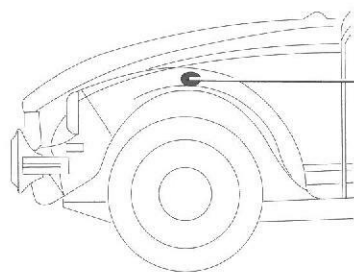
G	1
AY 541 218 A (b)	→12/78
95 539 463 (b)	12/78 →
AY 541 181 A (k)	

G/D	4	G/D	5
	R2		T4W
	6216 42 **		6216 25
	NFP		
	6216 41 *		

D	2
AY 575 012 A (a)	
AY 575 253 A (g)	

G	2
AY 575 011 A (a)	
AY 575 252 A (g)	

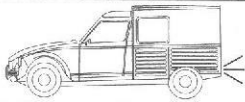
G/D	6
	P21W
	6216 27



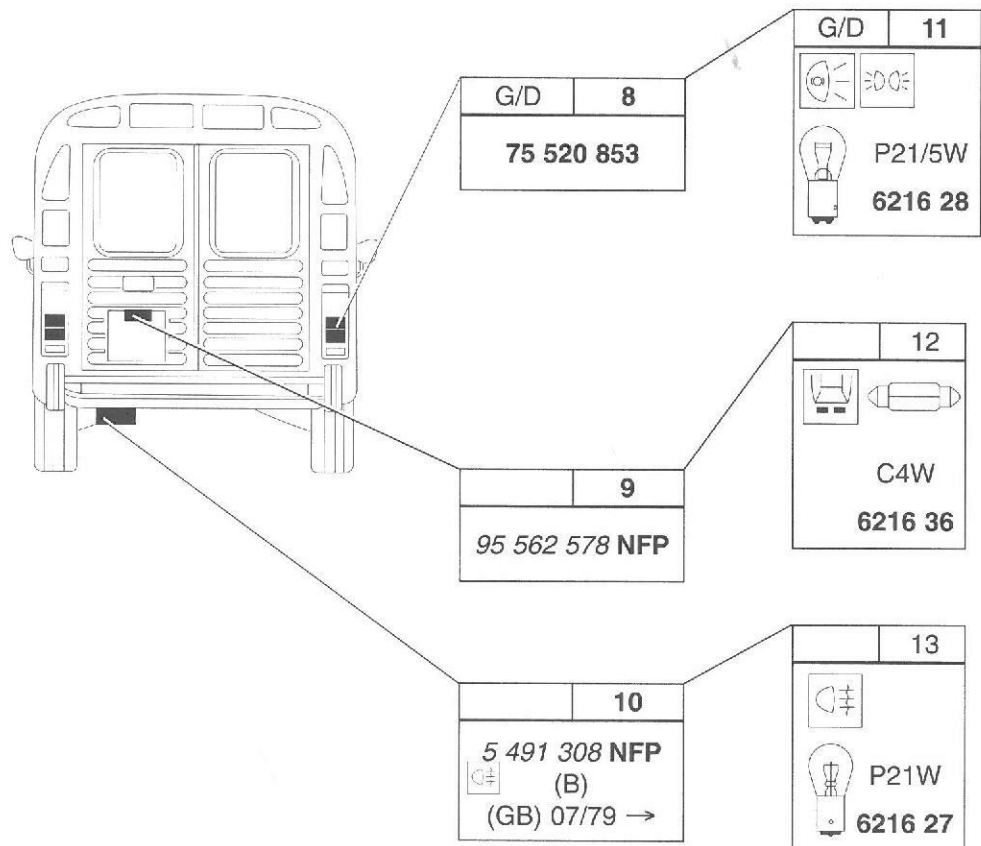
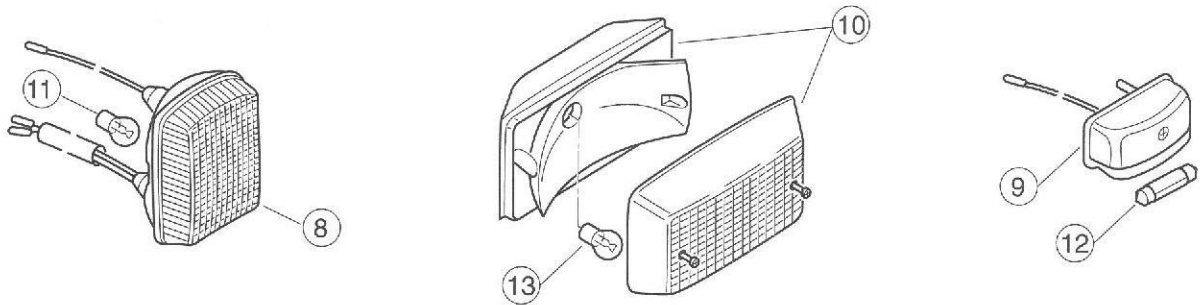
G/D	3
5 503 138	(XT)

G/D	7
	T2W
	6216 38

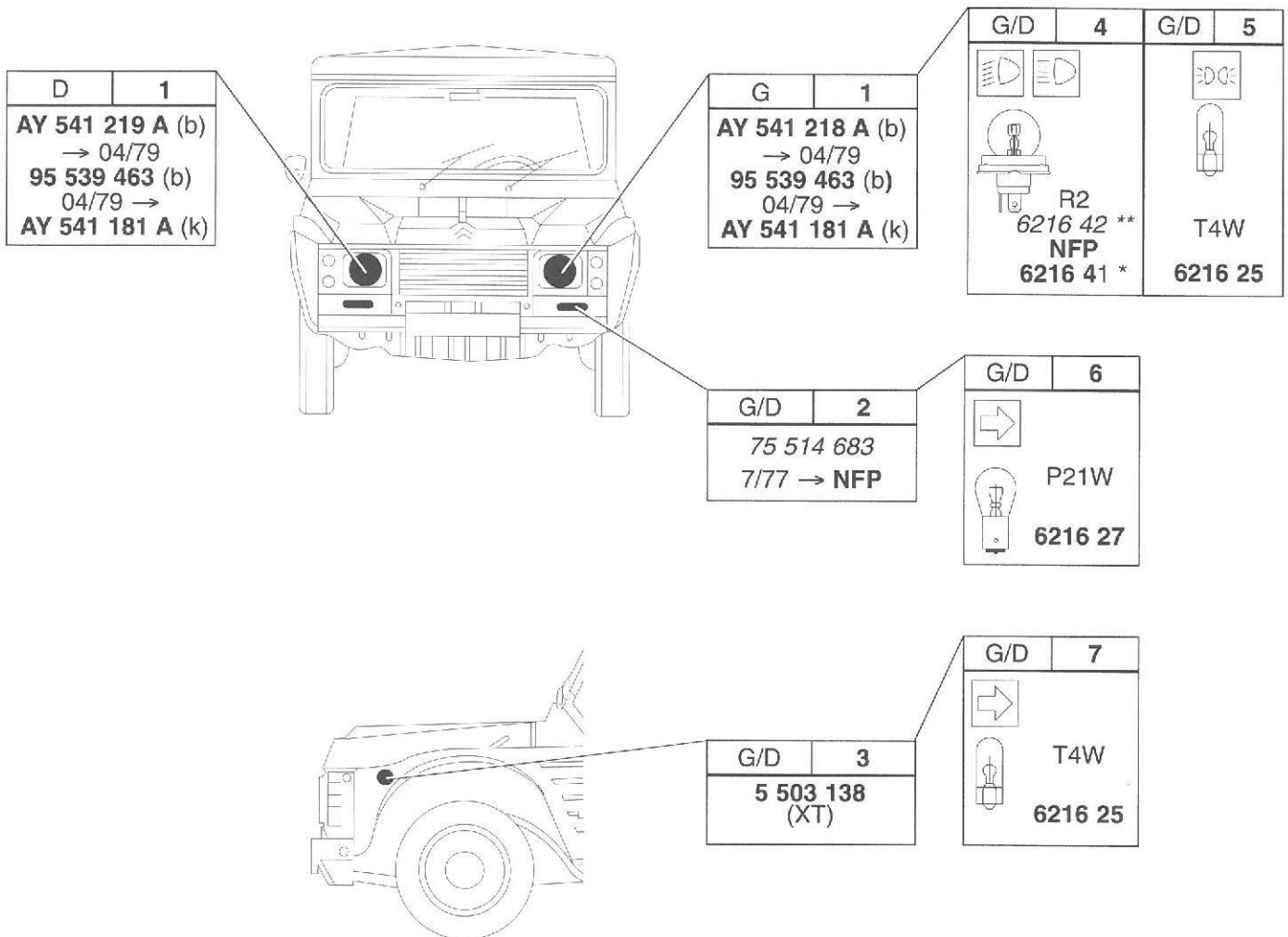
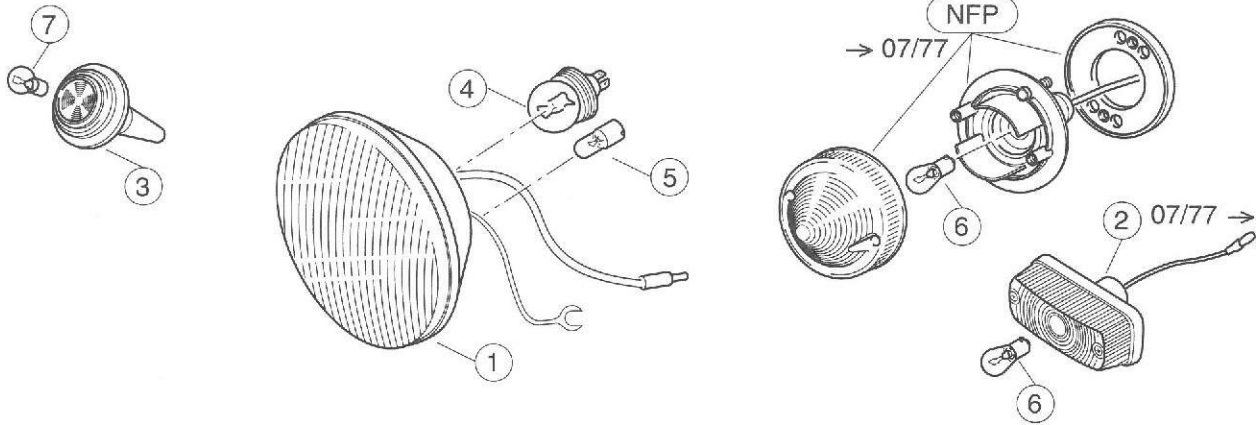
(a) SEIMA
 (b) CIBIE
 (k) MARCHAL
 (g) AXO
 * BLANCHE - WHITE - BLANCA - BRANCA - WEISS - BIANCO - WIT
 ** JAUNE - YELLOW - AMARILLA - AMARELA - GELB - GIALLO - GEEL
 XT - EXPORT - EXPORT - EXPORTACION - EXPORTAÇÃO - EXPORT - EXPORT - EXPORT



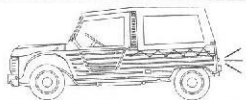
ACADIANE



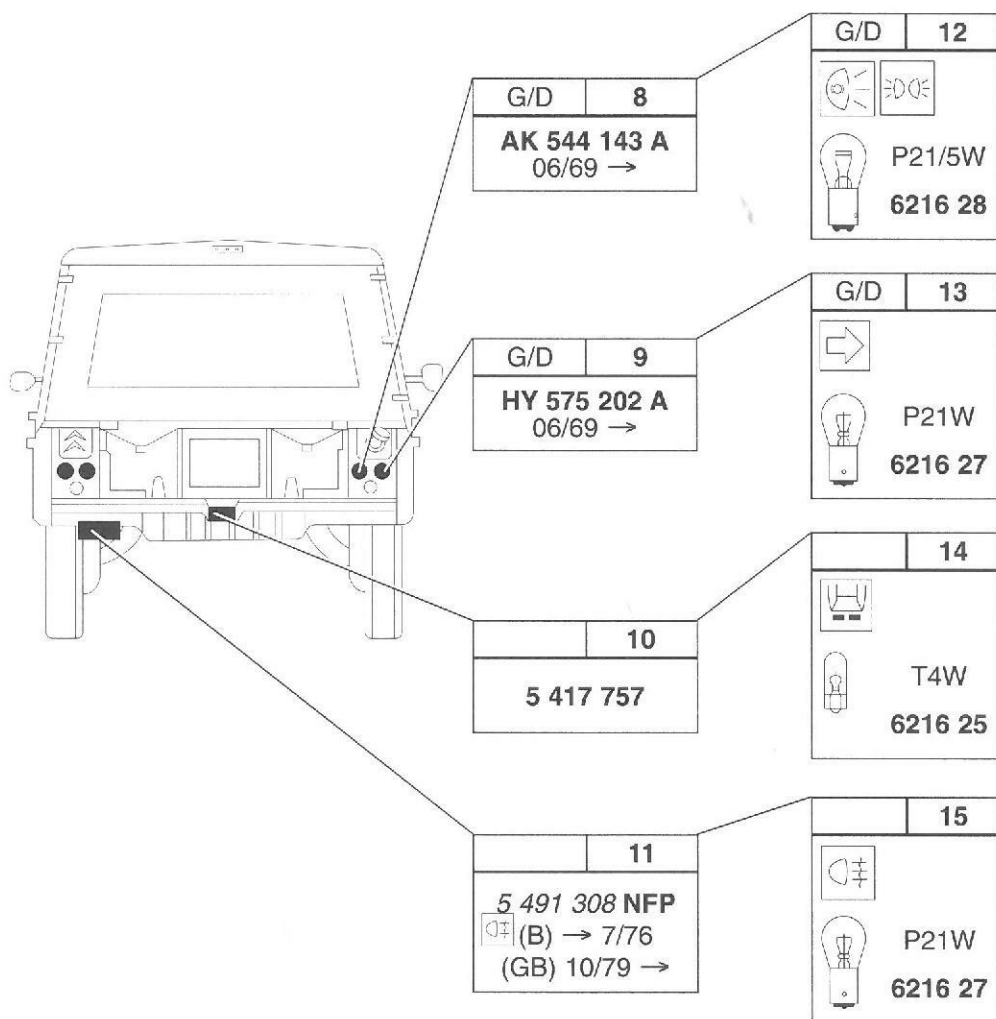
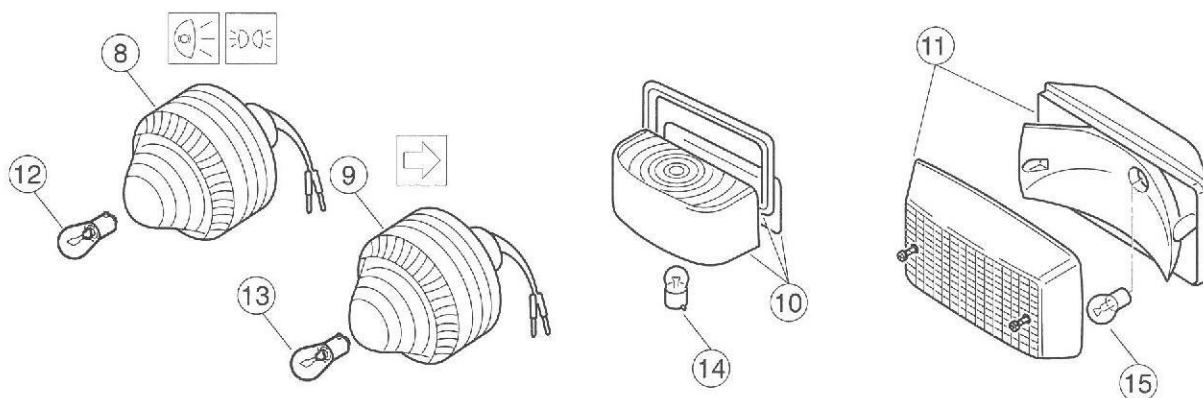
MEHARI



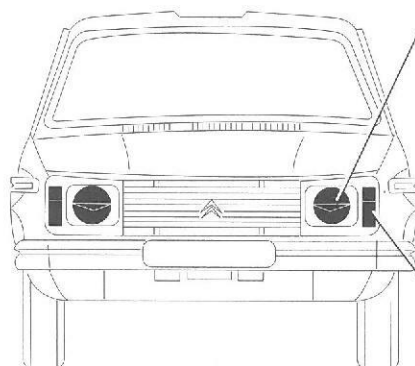
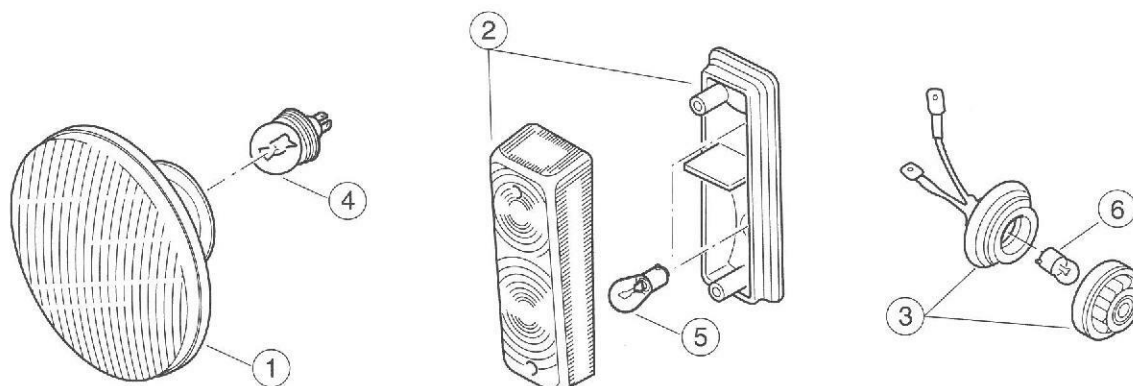
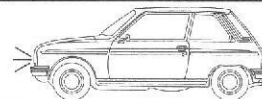
(b) CIBIE
(k) MARCHAL
BLANCHE - WHITE - BLANCA - BRANCA - WEISS - BIANCO - WIT
** JAUNE - YELLOW - AMARILLA - AMARELA - GELB - GIALLO - GEEL
XT - EXPORT - EXPORT - EXPORTACION - EXPORTAÇÃO - EXPORT - EXPORT - EXPORT



MEHARI



LN - LNA

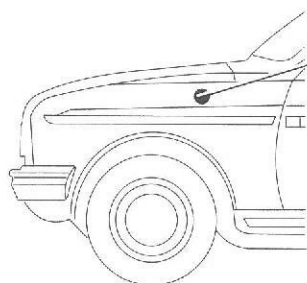


G/D	1
5 488 804	
Sauf 1124 cm3	
95 590 120	
NFP	
1124 cm3	
(CAG)	
95 590 121	
NFP	
1124 cm3	
(CAD)	

G/D	4
R2	
6216 42 **	
NFP	
6216 41 *	

G/D	2
5 489 166	

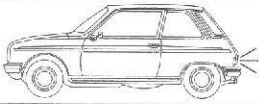
G/D	5
P21/5W	
6216 28	



G/D	3
5 503 138	
(XT)	

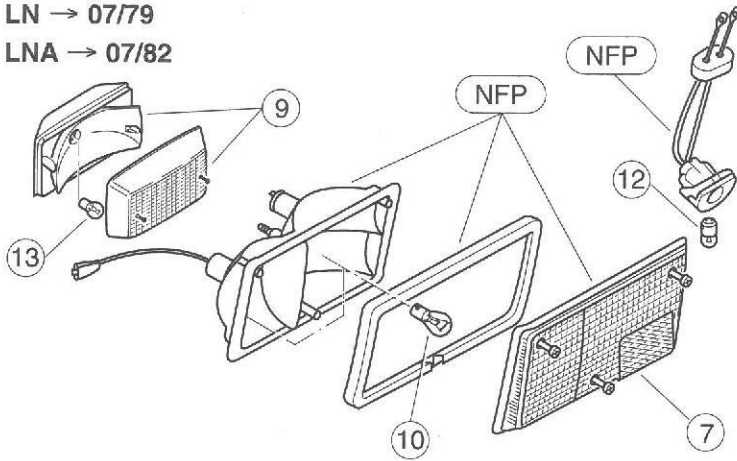
G/D	6
T4W	
6216 25	

* BLANCHE - WHITE - BLANCA - BRANCA - WEISS - BIANCO - WIT
 ** JAUNE - YELLOW - AMARILLA - AMARELA - GELB - GIALLO - GEEL
 XT - EXPORT - EXPORT - EXPORTACION - EXPORTAÇÃO - EXPORT - EXPORT - EXPORT

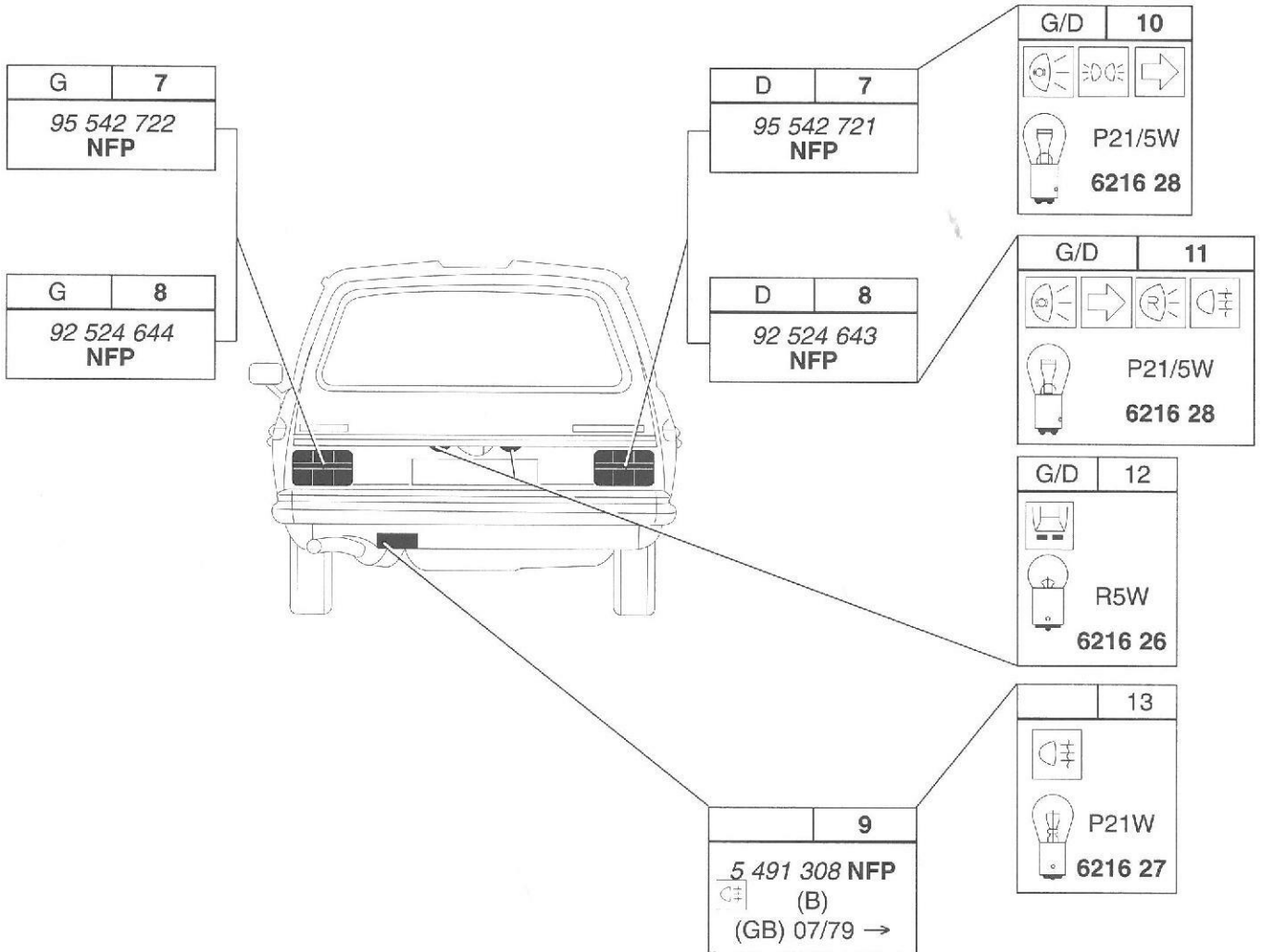
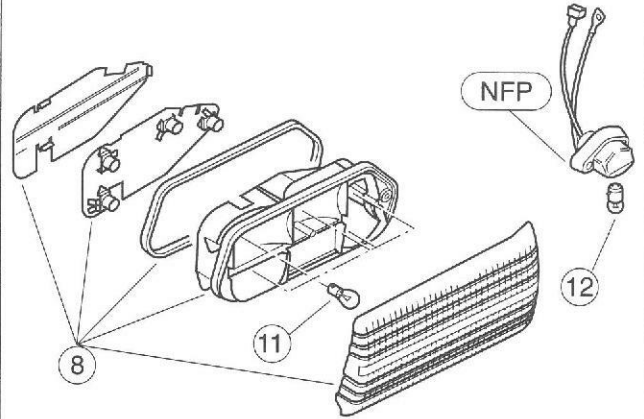


LN - LNA

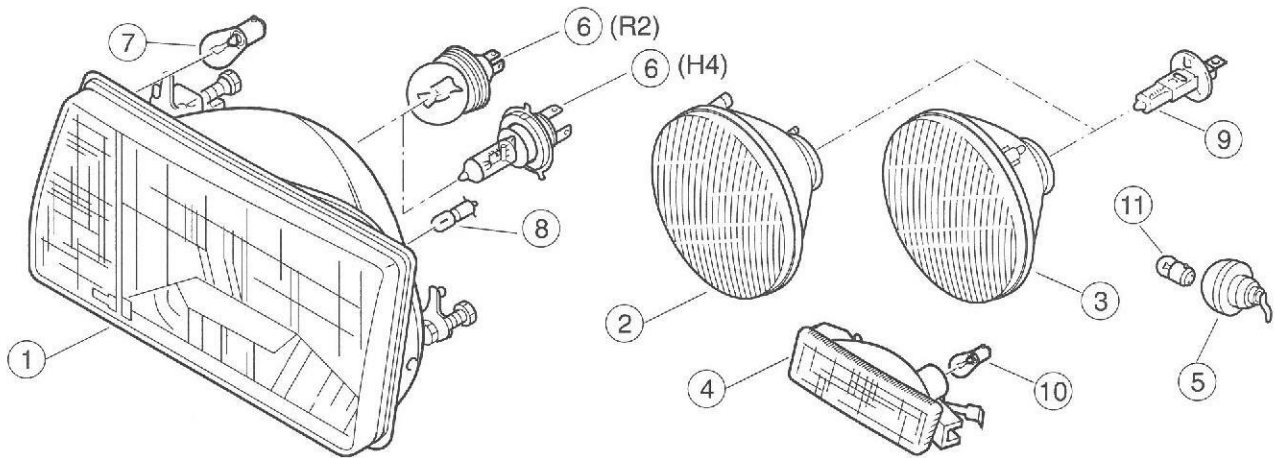
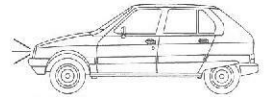
LN → 07/79
LNA → 07/82



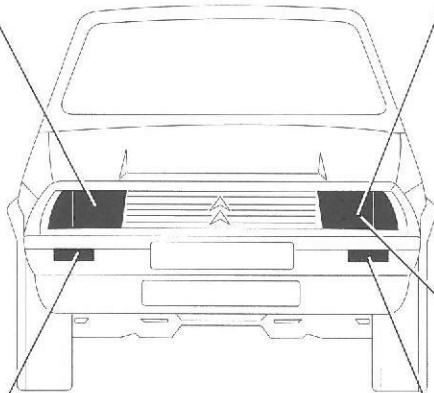
LNA 07/82 →



VISA



D	1
95 535 309	652 cm ³
95 535 311	
1124 - 1219 - 1360	cm ³
	(CAG)
95 548 216 NFP	
1219 → 07/82	
1124 cm ³	
	(CAD)



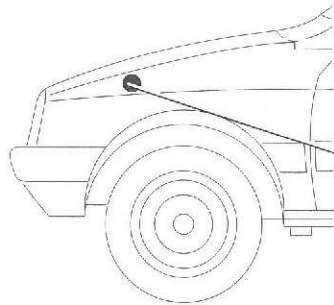
G	1
95 535 308	652 cm ³
95 535 310	
1124 - 1219 - 1360	cm ³
	(CAG)
95 548 215	
	NFP
	(CAD)

G/D	2
95 597 182	
	NFP

G/D	3
95 597 179	
	NFP

G	4
95 614 884	

D	3
95 614 885	



G/D	5
5 503 138	
	(I)

G/D	6
	R2
	6216 42 **
	NFP
	6216 41 *
	H4
	6216 43 **
	NFP
	6216 30 *

G/D	7
	P21/5W
	6216 28

G/D	8
	T4W
	6216 25

G/D	9
	H1
	6216 47

G/D	10
	P21/5W
	6216 28

G/D	11
	T4W
	6216 25

* BLANCHE - WHITE - BLANCA - BRANCA - WEISS - BIANCO - WIT

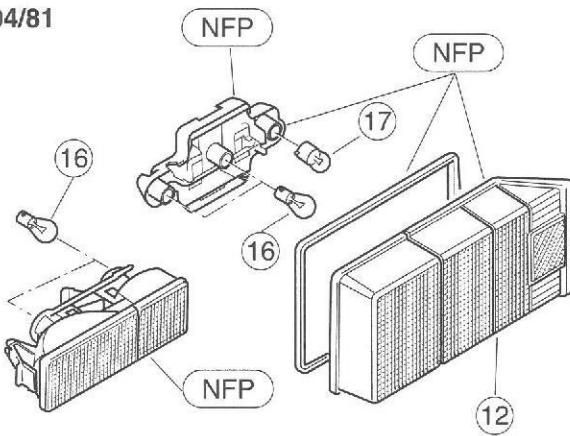
** JAUNE - YELLOW - AMARILLA - AMARELA - GELB - GIALLO - GEEL

NFP - NE FOURNISSONS PLUS - NOT SUPPLIED ANY MORE - NO SE SIRVE MAS - NÃO FORNECEMOS MAIS - NICHT MEHR LIEFERBAR - NON SI VENDE PIÙ - NIET MEER LEVERBAAR

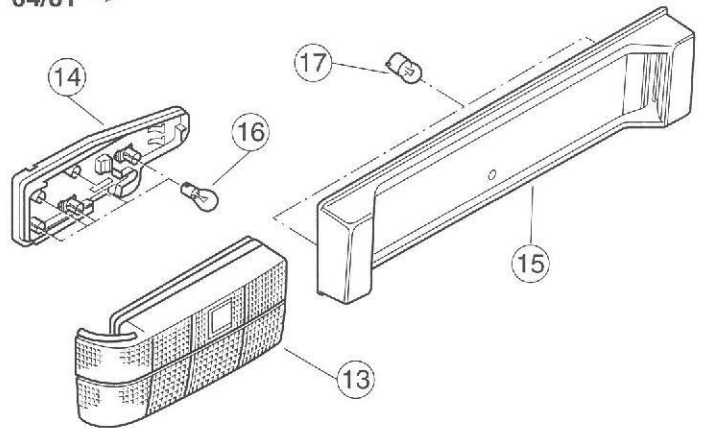


VISA

→ 04/81



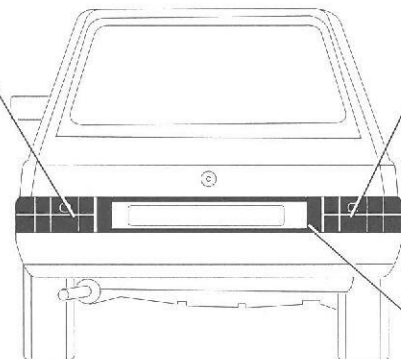
04/81 →



G	12
95 545 818	
NFP	

G	13
6350 C3	

G	14
95 614 803	



D	12
95 545 819	
NFP	

D	13
6351 C5	

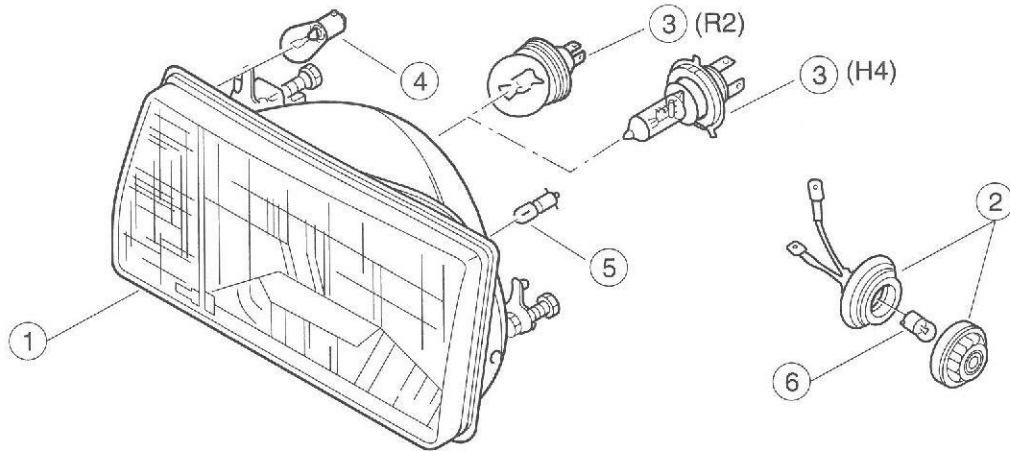
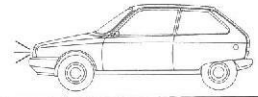
D	14
95 567 780	

G/D	16
	P21/5W
	6216 28

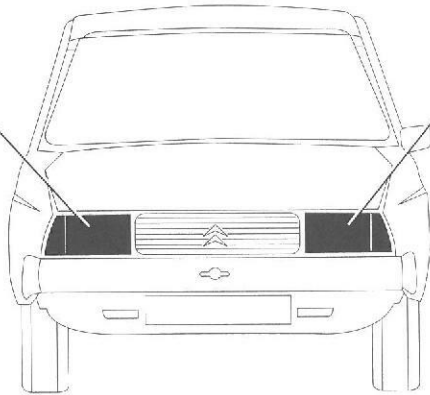
	15
95 567 646 SE	
NFP	
PLATINE	

G/D	17
	R5W
	6216 26

AXEL

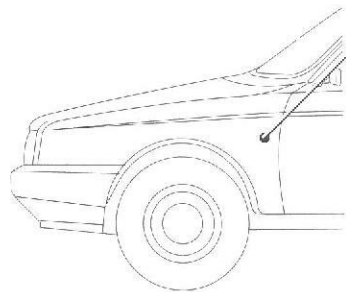


D	1
95 552 277 NFP (R2)	
95 552 263 NFP (H4)	



G	1
95 552 276 NFP (R2)	
95 552 262 NFP (H4)	

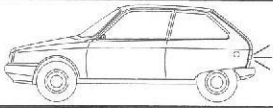
G/D	3	G/D	4				
 R2 6216 42 ** NFP 6216 41 *		 P21/5W 6216 28					
 H4 6216 43 ** NFP 6216 30 *		<table border="1"> <tr> <td>G/D</td> <td>5</td> </tr> <tr> <td colspan="2"> T4W 6216 25 </td> </tr> </table>		G/D	5	 T4W 6216 25	
G/D	5						
 T4W 6216 25							



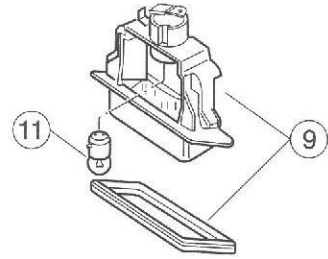
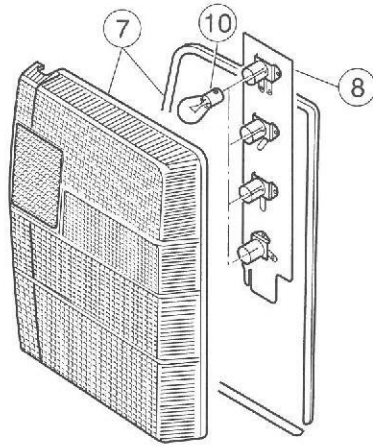
G/D	2
5 503 138	

G/D	6
 T4W 6216 25	

* BLANCHE - WHITE - BLANCA - BRANCA - WEISS - BIANCO - WIT
 ** JAUNE - YELLOW - AMARILLA - AMARELA - GELB - GIALLO - GEEL



AXEL

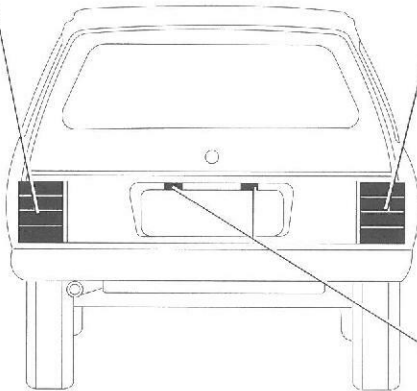


G	7
95 552 271 NFP	

D	7
95 552 272 NFP	

G/D	8
95 552 273 NFP	

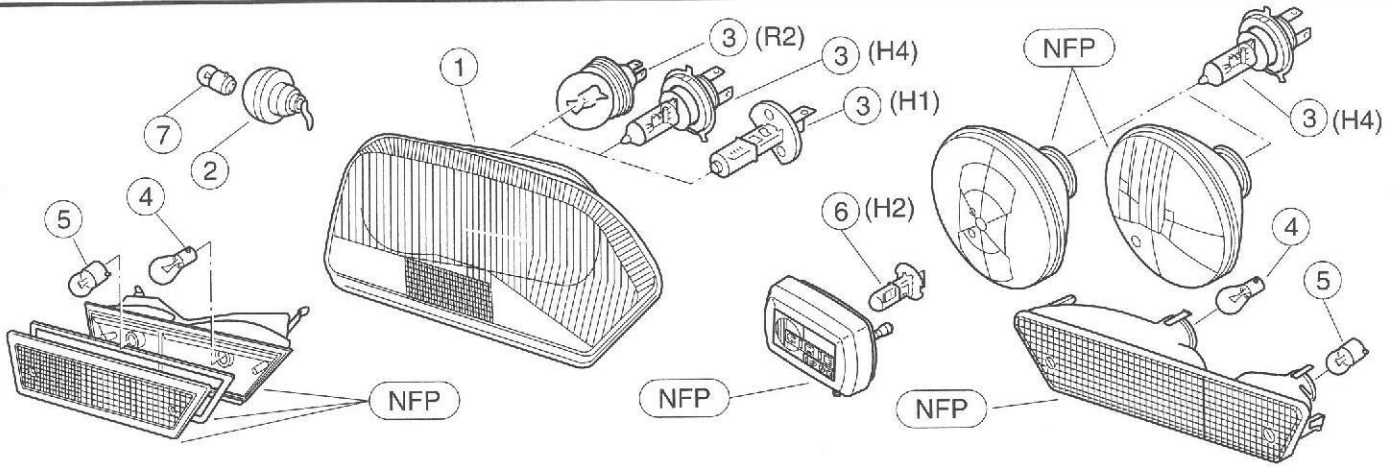
G/D	10
	P21/5W 6216 28



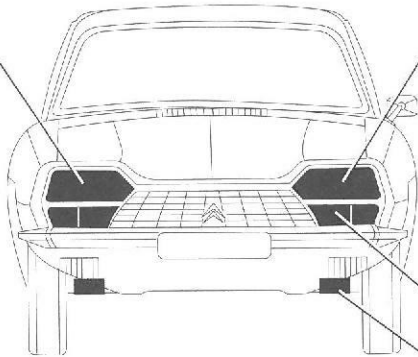
G/D	9
95 593 391 NFP	

G/D	11
	R5W 6216 26

GS - GSA



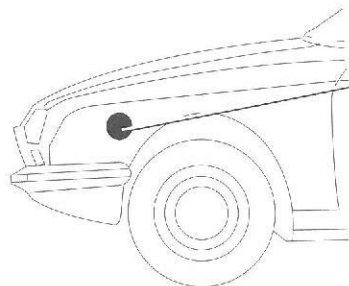
D	1
GX 60 123 01A	
NFP	
(H1) (R2)	
5 507 417	
NFP	
(H4) 7/76 →	



G	1
GX 60 122 01A	
NFP	
(H1) (R2)	
5 507 416	
NFP	
(H4) 7/76 →	

G/D	3
	R2
	6216 42 **
	NFP
	6216 41 *
	H4
	6216 43 **
	NFP
	6216 30 *
	H1
	6216 47

G/D	4	G/D	5
	P21W		R5W
	6216 27		6216 26

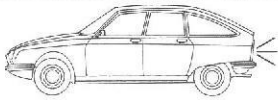


G/D	2
5 503 138	
(XT)	

G/D	6
	H2
	6216 39

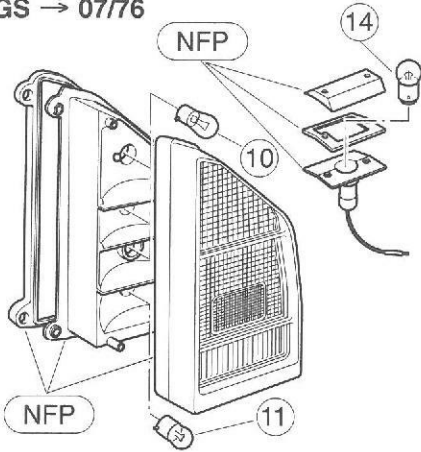
G/D	7
	T4W
	6216 25

* BLANCHE - WHITE - BLANCA - BRANCA - WEISS - BIANCO - WIT
 ** JAUNE - YELLOW - AMARILLA - AMARELA - GELB - GIALLO - GEEL
 XT - EXPORT - EXPORT - EXPORTACION - EXPORTAÇÃO - EXPORT - EXPORT - EXPORT

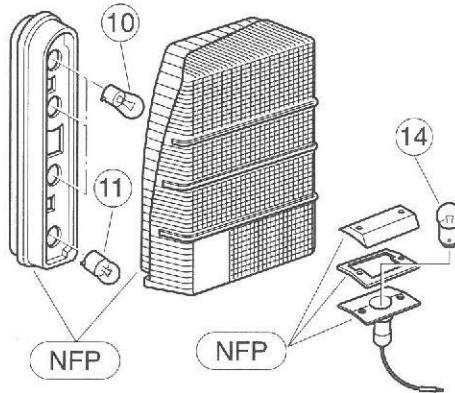


GS - GSA

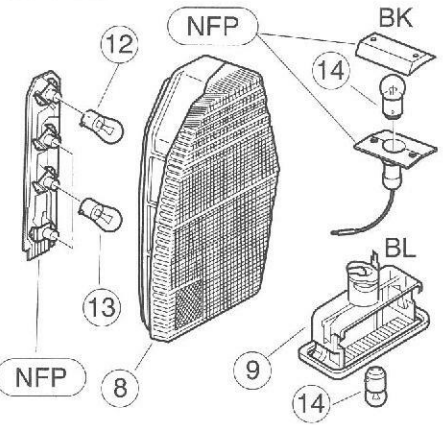
GS → 07/76



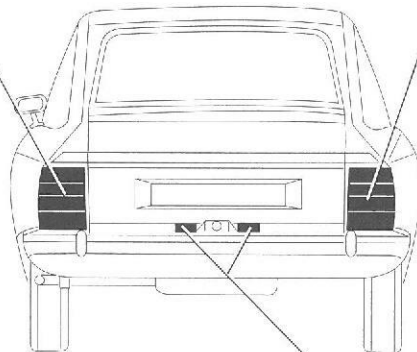
GS 07/76 → 06/80



GSA 06/80 →



G	8
95 544 030 (BL)	
5 501 908 NFP (BK)	



D	8
95 544 031 NFP (BL)	
5 501 908 NFP (BK)	

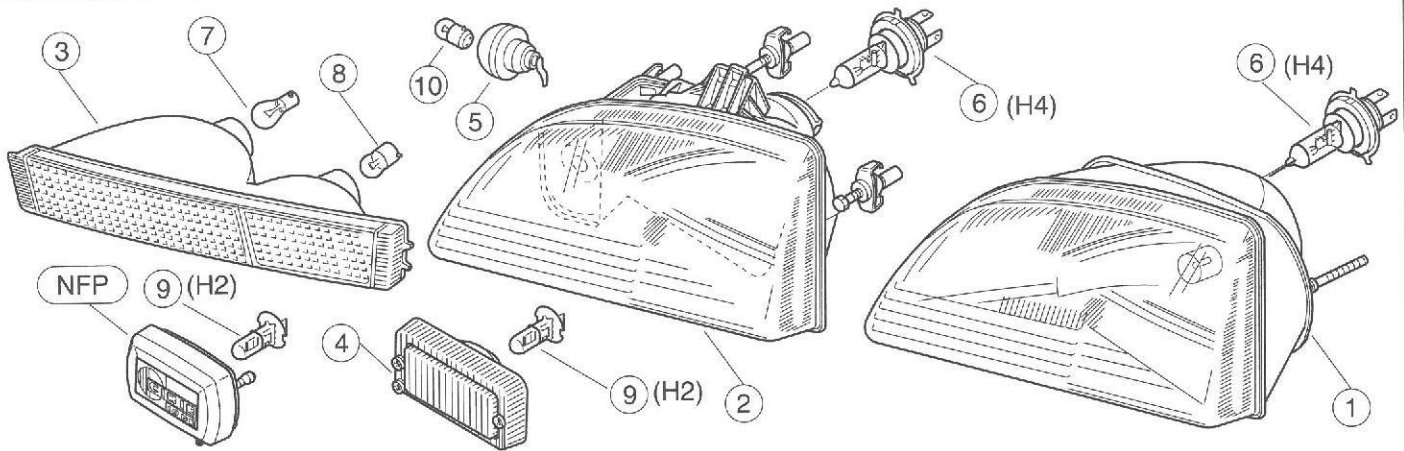
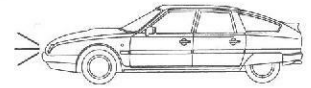
G/D	10	G/D	11
	P21W 6216 27		R5W 6216 26

G/D	12
	P21/5W 6216 28

G/D	13
	P21W 6216 27

G/D	9
95 494 778 (BL)	

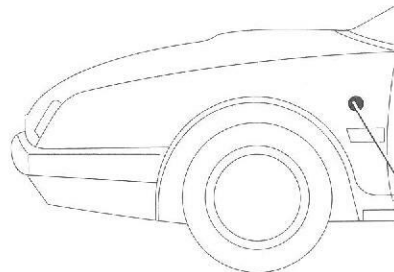
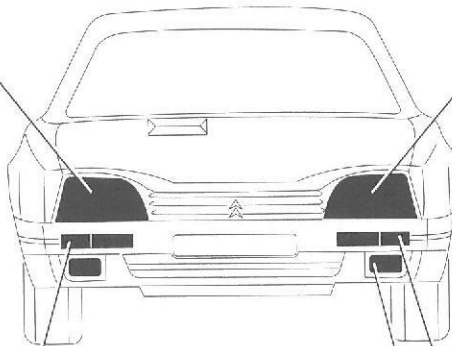
G/D	14
	R5W 6216 26

CX

D	1
5 486 456(b)	
→ 06/82 NFP	
Sauf XT	
XT NFP	
95 564 183 (b)	
06/85 →	
Sauf XT	
XT NFP	
95 494 285(a)	
06/85 →	
Sauf XT	
XT NFP	

D	2
95 611 510	
06/81 →	
(CAG)	
95 611 511	
06/85 →	
(CAG) XT	
95 611 512 NFP	
06/85 →	
(CAD)	

D	3
95 572 785	
→ 06/85	
95 616 036	
06/85 →	



G	1
5 486 455(b)	
→ 06/82	
Sauf XT	
XT NFP	
95 564 182(b)	
06/85 →	
Sauf XT	
XT NFP	
95 494 284(a)	
06/85 →	
Sauf XT	
XT NFP	

G	2
95 611 507	
06/81 →	
(CAG)	
95 611 508	
06/85 →	
(CAG) XT	
95 611 509 NFP	
06/85 →	
(CAD)	

G	3
95 572 784	
→ 06/85	
95 616 035	
06/85 →	

G/D	4
95 624 928	
Sauf XT	
95 624 929	
XT	

G/D	5
5 503 138	
(XT)	

G/D	6
	R2 → 07/76
	6216 42 **
	NFP
	6216 41 *
	H4 07/76 →
	6216 43 **
	NFP
	6216 30 *

G/D	7	G/D	8
	P21W		R5W
	6216 27		6216 26

G/D	9
	H2
	6216 39

G/D	10
	T4W
	6216 25

(a) SEIMA

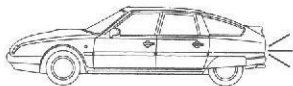
(b) CIBIE

* BLANCHE - WHITE - BLANCHE - BRANCA - WEISS - BIANCO - WIT

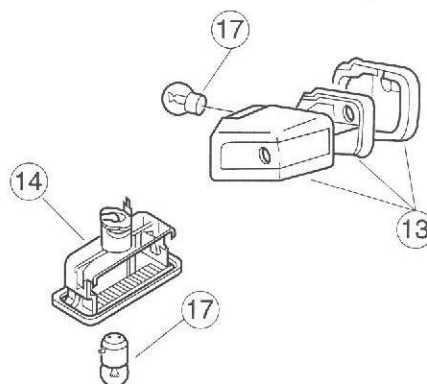
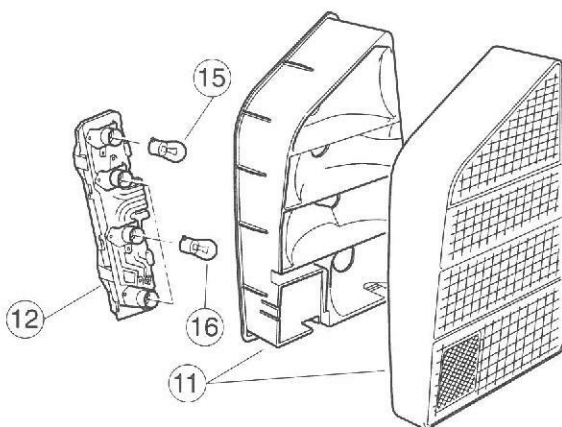
** JAUNE - YELLOW - AMARILLA - AMARELA - GELB - GIALLO - GEEL

XT - EXPORT - EXPORT - EXPORTACION - EXPORTAÇÃO - EXPORT - EXPORT - EXPORT

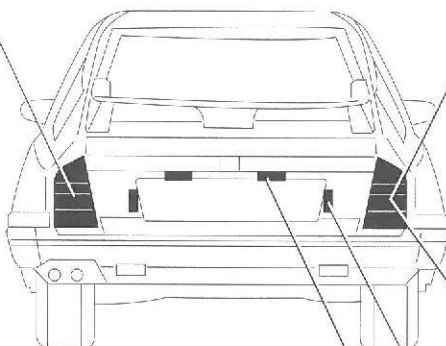
NFP - NE FOURNISSEMENT PLUS - NOT SUPPLIED ANY MORE - NO SE SIRVE MAS - NÃO FORNECEMOS MAIS - NICHT MEHR LIEFERBAR - NON SI VENDE PIÙ - NIET MEER LEVERBAAR



CX



G	11
	95 653 970 (a) NFP
	(BL) → 06/85
	95 653 972 (b) (BL)
	5 482 749 (w) NFP
	(BK) → 07/79
	95 543 912 (x)
	(BK) 07/76 →



D	11
	95 653 971 (a) NFP
	(BL) → 06/85
	95 653 973 (b) (BL)
	5 482 750 (w) NFP
	(BK) → 07/79
	95 543 913 (x)
	(BK) 07/76 →

G/D	15
	P21/5W 6216 28

G/D	12
	5 483 981 (a) NFP (BL)
	95 543 914 NFP (BK)

G/D	16
	P21W 6216 27

G/D	13
	5 407 385 NFP

G/D	14
	95 494 778

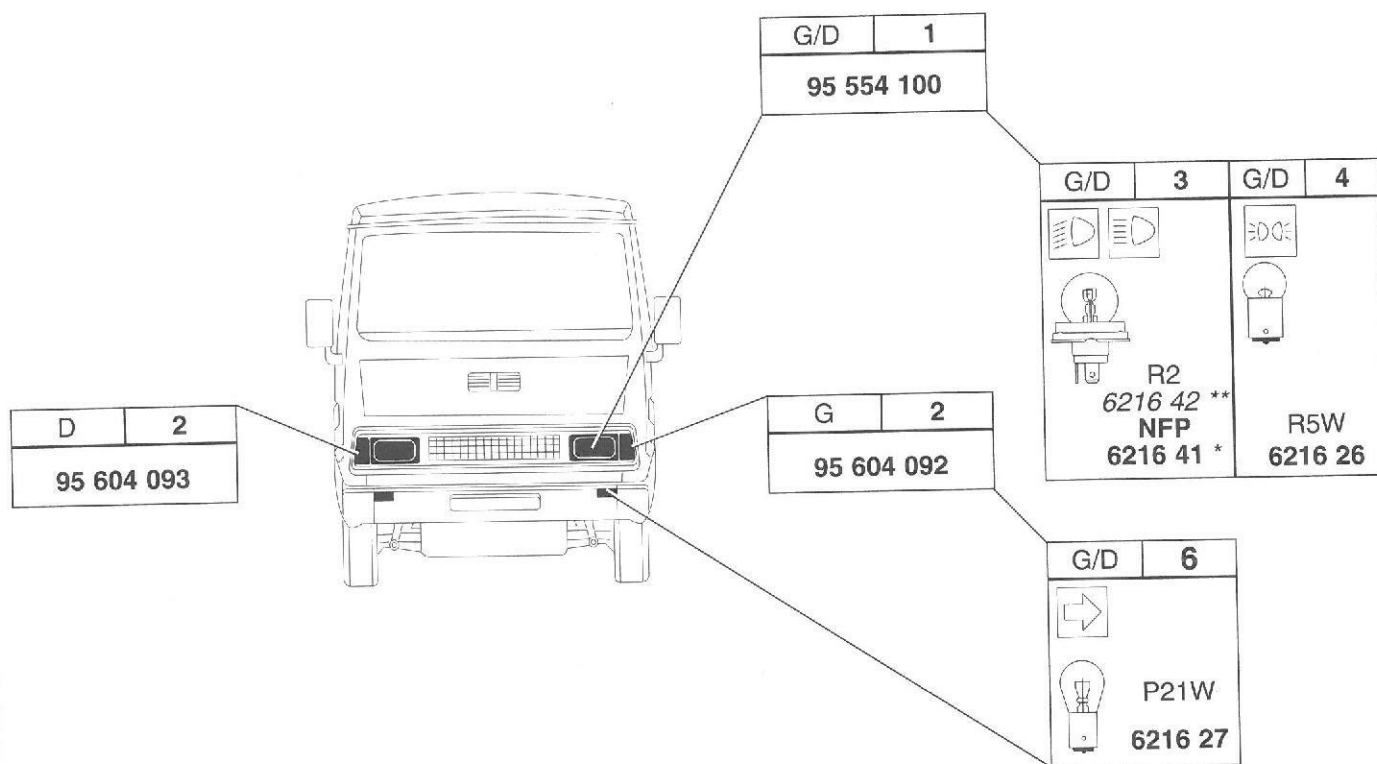
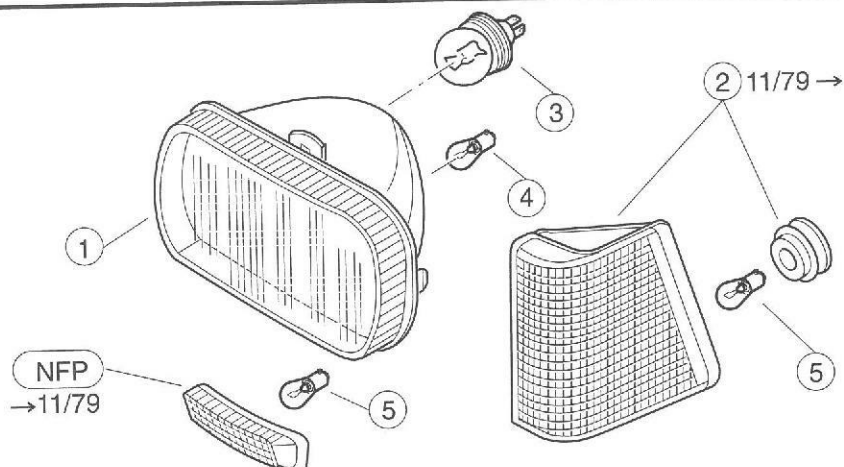
G/D	17
	R5W 6216 26

(a) SEIMA
(b) CIBIE

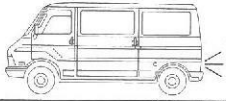
(w) SANS PHARE ANTI BROUILLARD - WITHOUT FOG LIGHTS - SIN ANTINEBLA - SEM FAROIS DE NEVOEIRO - OHNE NEBELLEUCHTE - SENZA FARO ANTINEBBIA - ZONDER BREEDSTRALERS
(x) AVEC PHARE ANTI BROUILLARD - WITH FOG LIGHTS - CON ANTINEBLA - COM FAROIS DE NEVOEIRO - MIT NEBELLEUCHTE - CON FARO ANTINEBBIA - MET BREEDSTRALERS

NFP - NE FOURNISSEONS PLUS - NOT SUPPLIED ANY MORE - NO SE SIRVE MAS - NÃO FORNECEMOS MAIS - NICHT MEHR LIEFERBAR - NON SI VENDE PIU - NIET MEER LEVERBAAR

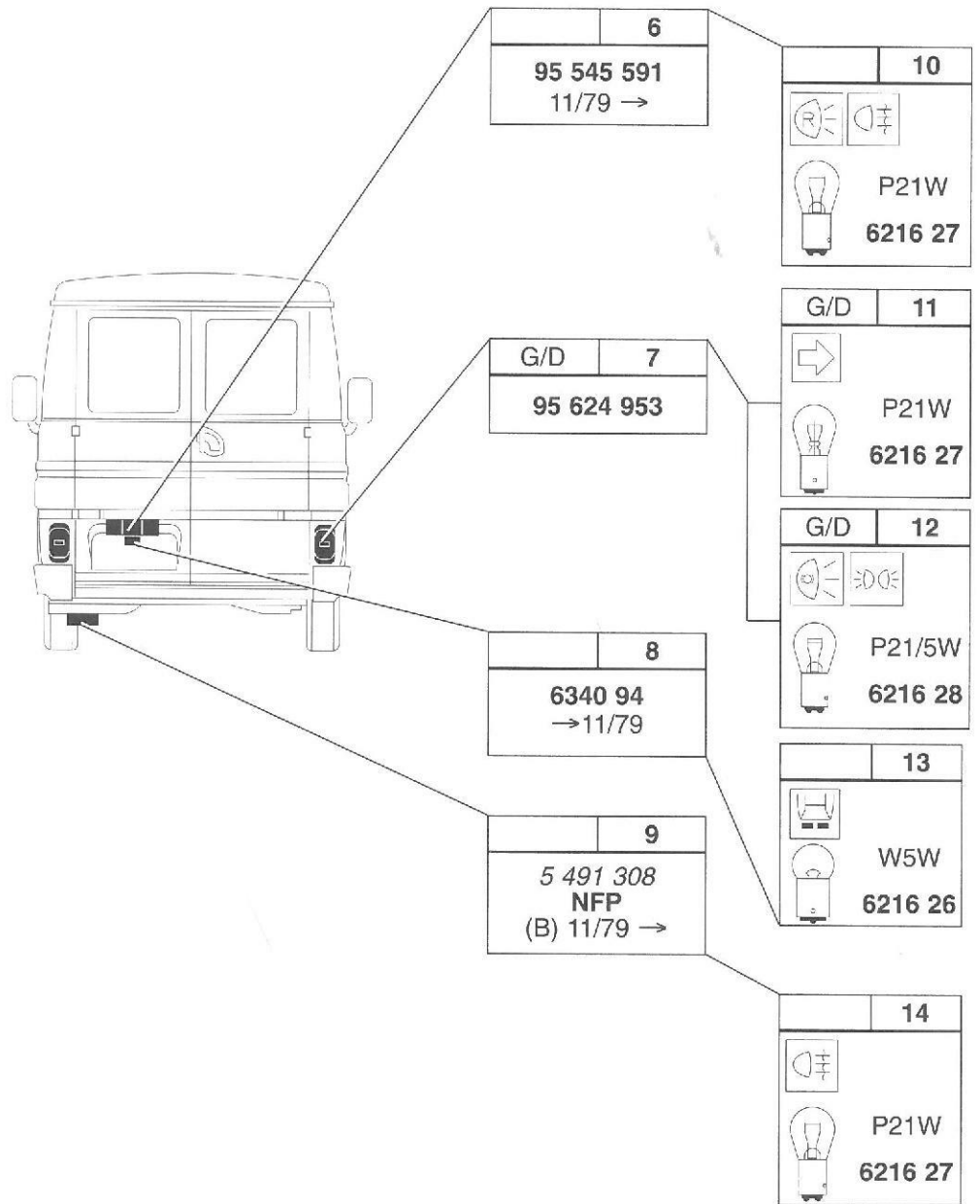
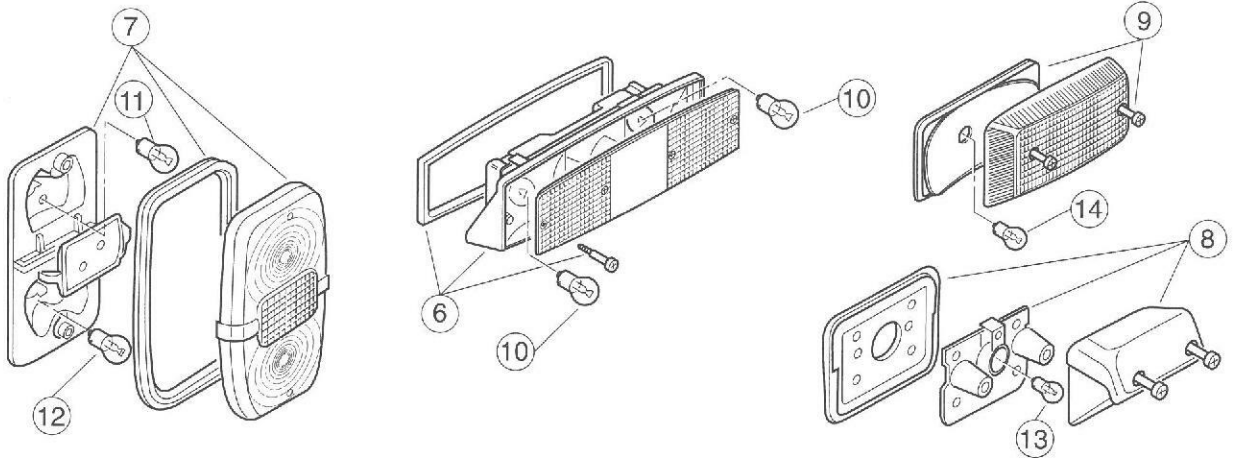
C35



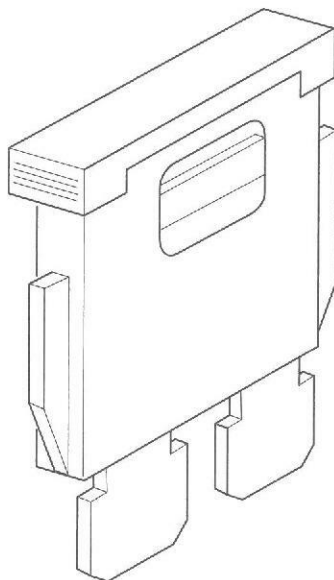
* BLANCHE - WHITE - BLANCA - BRANCA - WEISS - BIANCO - WIT
 ** JAUNE - YELLOW - AMARILLA - AMARELA - GELB - GIALLO - GEEL



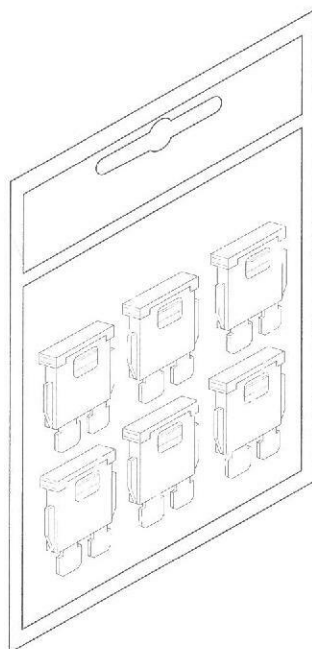
C35

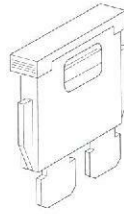



FUSIBLE
FUZES
FUSIBLE
FUSÍVEL
SICHERUNG
FUSIBILE
ZEKERING





CARTE DE FUSIBLES
FUZE CARD
TARJETA DE FUSIBLE
PLACA DE FUSÍVEL
SICHERUNGSKARTE
SCHEDA DI FUSIBILE
ZEKERINGKAART
















 5x20	A	1A	2A	3,15A	5A
	N°	6997 Q1	6997 Q2	6997 Q3	6997 Q4
	U.V.	10	10	10	10

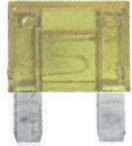

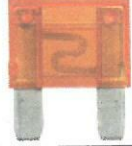


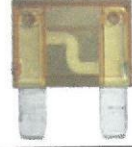


 6,3x32	A	2A	5A	10A	15A	20A	25A	30A	35A
	N°	6997 Q5	6997 Q6	6997 Q7	6997 Q8	6997 Q9	6997 R0	6997 R1	6997 R2
	U.V.	10	10	10	10	10	10	10	10

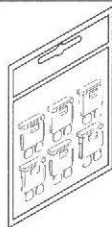
 7x32	A	5A	10A	15A	20A	25A	30A
	N°	6997 R3	6997 R4	6997 R5	6997 R6	6997 R7	6997 R8
	U.V.	5	5	5	5	5	5

					
A	5A	8A	10A	16A	25A
N°	6997 R9	6997 S0	6997 S2	6997 S3	6997 S4
U.V.	10	10	10	10	10

										
A	2A	3A	4A	5A	7,5A	10A	15A	20A	25A	30A
N°	6997 N3	6997 N4	6997 N5	6997 N6	6997 N7	6997 N8	6997 N9	6997 P0	6997 P1	6997 P2
U.V.	10	10	10	10	10	10	10	10	10	10

					
A	2A	3A	5A	7,5A	10A
N°	6997 N0	6997 N1	6997 L0	6997 L1	6997 L2
U.V.	20	20	20	20	20
					
A	15A	20A	25A	30A	40A
N°	6997 L3	6997 L4	6997 L5	6997 L6	6997 N2
U.V.	20	20	20	20	20

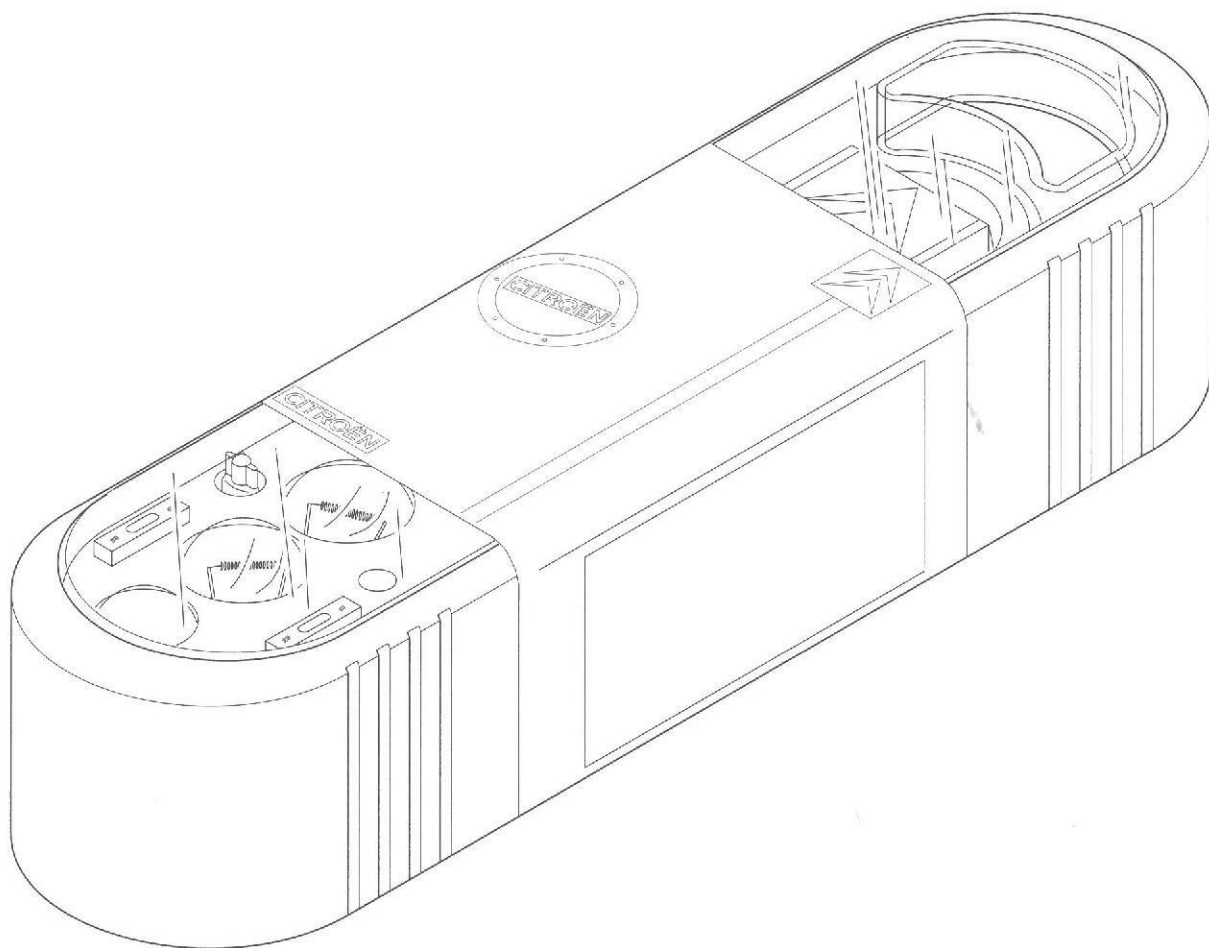
				
A	20A	30A	40A	50A
N°	6997 P3	6997 P4	6997 P5	6997 P6
U.V.	10	10	10	10
				
A	60A	70A	80A	100A
N°	6997 P7	6997 P8	6997 P9	6997 Q0
U.V.	10	10	10	10

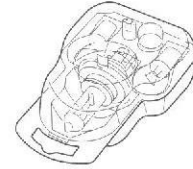
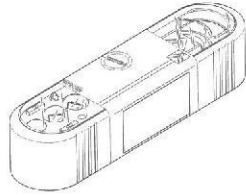


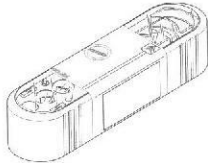
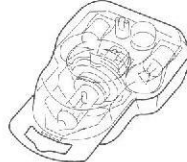
CARTE DE FUSIBLES

			N°
Xsara - Xantia - Xm	1	RADIO	9485 01
	2	5A	
	2	10A	
	1	15A	
	1	20A	
	1	25A	
	2	30A	

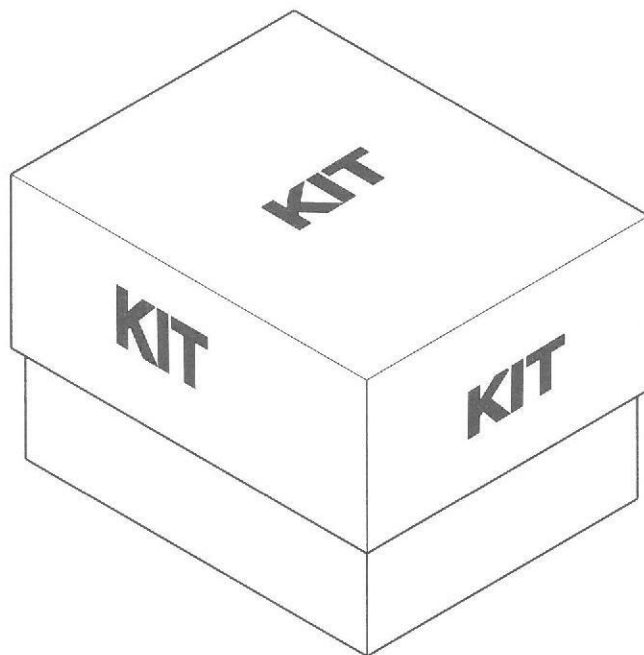
COFFRET DE LAMPES
BULB KIT
ESTUCHE DE LAMPARAS
GLÜHLAMPENSET
SCATOLA LAMPADE
KOFFERT JE MET
RESERVEVELAMPEN



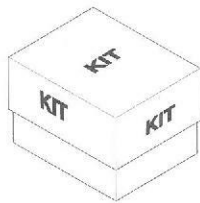


		N°
Ax - C15	R2 CE	ZC 9 885 043 U
Zx - Xantia - Xm - Evasion - Jumpy	H1	ZC 9 885 096 U
Ax - Saxo - Zx - Xsara → 08/2000 Xsara Picasso → 11/2002 - Berlingo 1 Bx - C15 - Cx - Jumper 1	H4	ZC 9 885 044 U
C3	H1 / H7	9485 19
Xsara → 08/2000	H7	9485 14
Xsara 09/2000 →	H1 / H3 / H7	9485 18
Xsara Picasso 11/2002 → - Berlingo 2 - C2	H4	9485 23
C5 BL	H4 / H7	9485 22
C5 BK	H4 / H7	9485 17
C8	H1 / H7	9485 20
Jumper 2	H1 / H7	9485 21
		N°
Ax - C15	R2 CE	9485 07
Zx - Xantia - Xm - Evasion - Jumpy	H1	9485 09
Ax - Saxo - Zx - Xsara → 08/2000 Xsara Picasso → 11/2002 - Berlingo 1 Bx - C15 - Cx - Jumper 1	H4	9485 05
Xsara → 08/2000	H7	9485 15
Xsara BK	H1/H3/H7	9485 18 deo 6216 52
Xsara VTS 09/2000 →	H1/H3/H7	9485 18 deo 6216 59

"ACCESSOIRIE" ANTI-BROUILLARD
"ACCESSORY" FOG LAMPS
"ACCESORIO" ANTINIEBLA
"ACESORIO" ANTI- NEVOEIRO
"ZUBEHÖR" NEBELLEUCHTE
"ACCESORIO" ANTINEBBIA
"ACCESSOIRIE" BREEDSTRALER

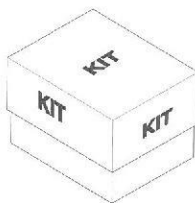


"ACCESSOIRIE" LONGUE PORTEE
"ACCESSORY" DRIVING LAMPS
"ACCESORIO" LARGO DISTANCIA
"ACESORIO" LONGO ALCANCE
"ZUBEHÖR" FERNSCHEINWERFER
"ACCESORIO" LUNGA PORTATA
"ACCESSOIRIE" VERSTRALER



KIT ANTI-BROUILLARD

		N°
Ax → 07/91	KIT COMPLET	ZC 9 875 557 U
Bx 07/86 →	Bloc optique sans lampe	95 624 929
Cx 07/85 →	lampe	6216 33
Ax 07/91 →	KIT COMPLET	NFP
	Projecteur G	ZC 9 875 970 U
	Projecteur D	ZC 9 875 969 U
	Boitier G	ZC 9 885 063 U
	Boitier D	ZC 9 885 064 U
	Bloc optique	95 624 929
	Interrupteur	95 639 976 ZL
Saxo *	KIT COMPLET	9482 07
	Projecteur G	6204 N6
	Projecteur D	6205 N6
	Interrupteur	96 134 916 ZL
C3 - C3 Pluriel - C2	KIT COMPLET N° OPR 9317 →	9482 35
Zx	KIT COMPLET Sauf (Volcane)	ZC 9 875 960 U
	Projecteur G	ZC 9 875 970 U
	Projecteur D	ZC 9 875 969 U
	Interrupteur CAG	96 028 350 ZL
	Interrupteur CAD	96 109 472 ZL
	KIT COMPLET (Volcane)	9482 13
	Projecteur G	95 659 512
	Projecteur D	95 659 512
	Interrupteur CAG	96 028 350 ZL
Xsara → 08/2000	KIT COMPLET	9482 09
	Projecteur G	6204 R4
	Projecteur D	6205 R4
	Interrupteur	6253 73
Xsara Picasso	KIT COMPLET → N° OPR 9491	9482 20
	KIT COMPLET N° OPR 9492 →	9482 40



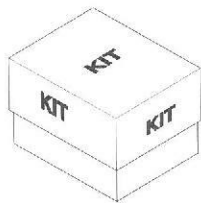
KIT ANTI-BROUILLARD

N°

		N°
Xantia → 12/97	KIT COMPLET (JAUNE)*	ZC 9 885 169 U
	Projecteur G + boîtier	ZC 9 885 174 U
	Projecteur D + boîtier	NFP
	KIT COMPLET * (BLANC)**	ZC 9 885 085 U
	Projecteur G + boîtier	ZC 9 885 123 U
	Projecteur D + boîtier	ZC 9 885 124 U
	Support interrupteur * (Version X)	96 106 130 ZL
	Obturbateur *	6552 AC
Xantia 01/98 →	KIT COMPLET (BLANC)*	9482 10
	Projecteur G	6204 S1
	Projecteur D	6205 S1
Xm 07/94 →	KIT COMPLET	ZC 9 885 176 U
	Projecteur G	6303 39
	Projecteur D	6303 40
	Interrupteur	6552 HQ
Evasion → 28/04/1996	KIT COMPLET → 28/04/96 → N° OPR 7111	9482 01 (Finition X) (1)+(2)
	Relais (1)	6555 33
	Lot d'obturbateur (2) → 05/96	8236 G9
	Projecteur G	6204 J4
	Projecteur D	6205 J4
	Interrupteur	6552 CC

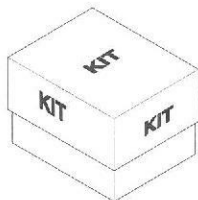
KIT ANTI-BROUILLARD - FOG LAMP KIT - KIT ANTINEBLA - KIT FARÓIS DE NEVOEIRO - NEBELLEUCHTENSATZ - KIT ANTINEBBIA - BREEDSTRALERSET - KIT ANTINEBBIA - BREEDSTRALERSET
 * BLANCHE - WHITE - BLANCA - BRANCA - WEISS - BIANCO - WIT
 ** JAUNE - YELLOW - AMARILLA - AMARELA - GELB - GIALLO - GEEL

★ CAT. 14.725



KIT ANTI-BROUILLARD

		N°
Evasion 05/96 →	KIT COMPLET 29/04/96 → N° OPR 7112 →	9482 12 (Finition X)+(3)
	Relais (3)	6555 33
	Projecteur G	6204 J4
	Projecteur D	6205 J4
	Interrupteur	6253 68
Berlingo 1	KIT COMPLET	9482 08
	Projecteur G	ZC 9 875 970 U
	Projecteur D	ZC 9 875 969 U
	Interrupteur	6552 QF
	Boitiers G et D	9682 J7
Berlingo 2	KIT COMPLET	9482 42
Jumpy	KIT COMPLET	9682 E4
	KIT COMPLET Jumpy combi 05/2000 →	9482 38
	Projecteur G	ZC 9 875 970 U
	Projecteur D	ZC 9 875 969 U
	Interrupteur	6552 QF
	Boitiers G et D	9682 J6
Jumper 1	KIT COMPLET	9482 32
	Projecteur G	9482 05
	Projecteur D	9482 04
	Interrupteur	6552 91 → 07/99 6554 31 07/99 →
	Boitiers G et D	9682 J8
Jumper 2	KIT COMPET	9482 36



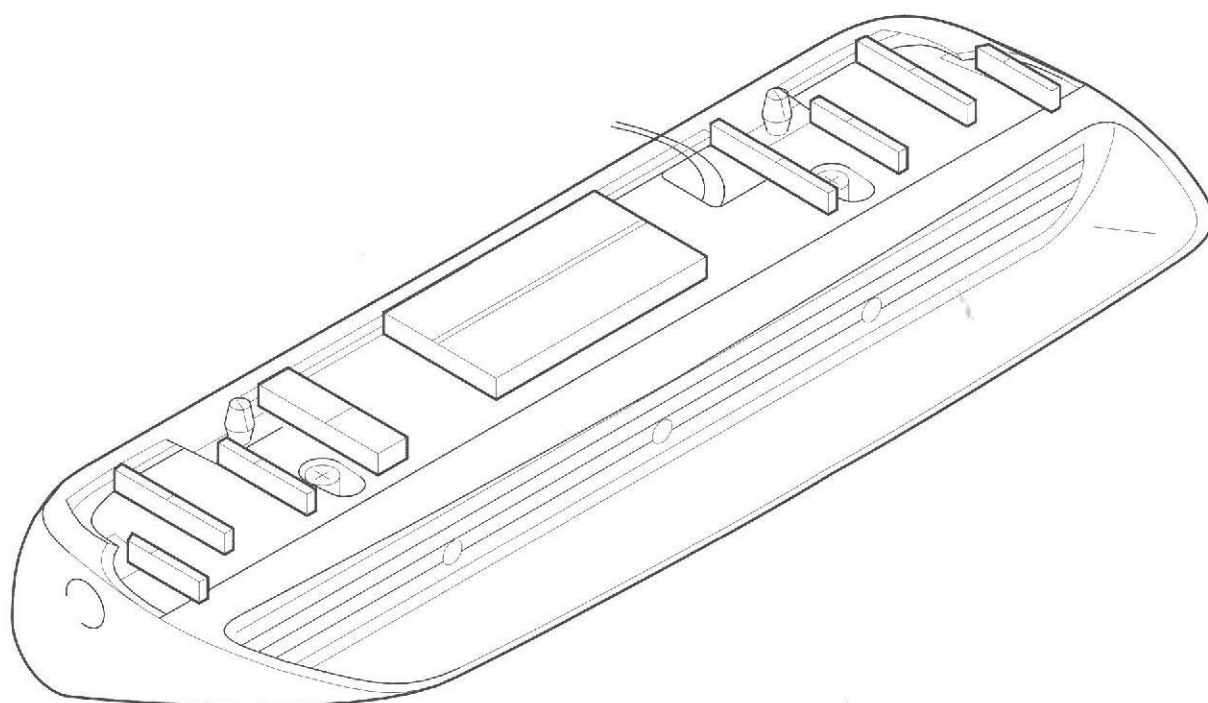
ENSEMBLE DE MONTAGE POUR KIT ANTI-BROUILLARD

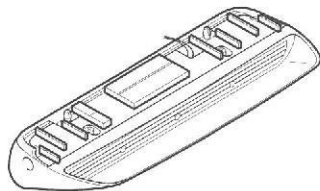
		N°
Ax →7/91	Nécessaire complet	NFP
	Faisceau interrupteur à relais	ZC 9 875 496 U
Bx 07/86 →	Interrupteur	97 523 100
Cx 07/85 →	Faisceau interrupteur à relais	ZC 9 875 496 U

KIT LONGUE PORTEE

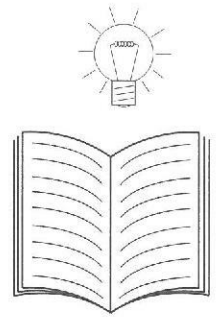
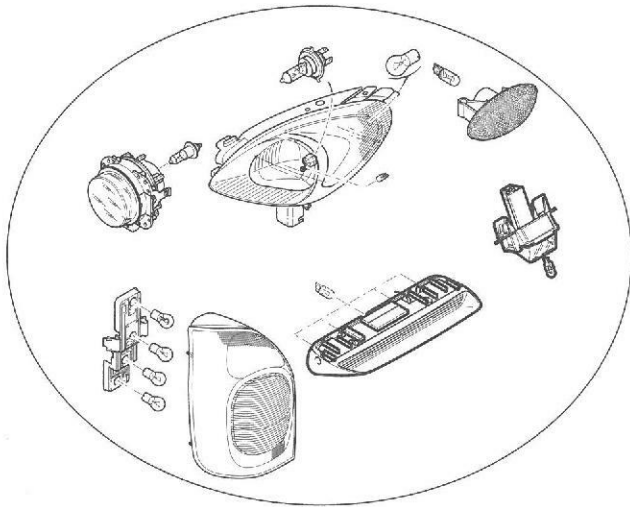
		N°
Ax 07/91 →	KIT COMPLET	ZC 9 885 062 U NFP
	Boitier G	ZC 9 885 063 U
	Boitier D	ZC 9 885 064 U
	Bloc optique	ZC 9 875 559 U
	Interrupteur	95 639 976 ZL
Ax → 07/91	KIT COMPLET	NFP
Bx 07/86 →	Bloc optique	ZC 9 875 559 U
Cx 07/85 →	Lampe	6216 33

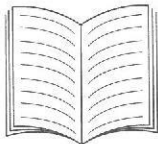
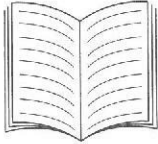
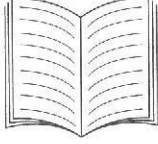
FEU DE STOP CENTRAL "ACCESSOIRE"
HIGHT LEVEL BRAKE LIGHT "ACCESSORY"
PILOTO DE STOP CENTRAL "ACCESORIO"
FAROLIM STOP CENTRAL - "ACESSORIO"
ZUSATZSTOPPLEUCHTE,ZUBEHÖR "ZUBEHÖR"
FANALE TERZA LUCE STOP "ACCESSORIO"
DERDE REMILICHT MONTAGE "ACCESSOIRIE"

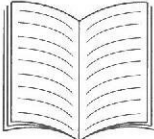
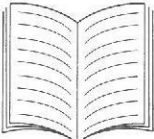
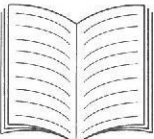


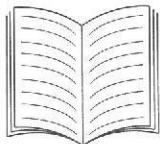
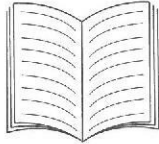
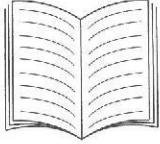


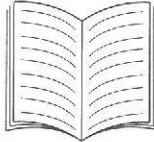
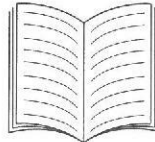
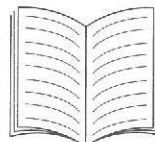
		N°
Ax Zx BK		9484 01
Zx BL		9484 03
Zx BL	(Spécifique becquet 9400 15)	9484 06
Zx BL Bx BL Cx		<i>9484 05</i> NFP
Xantia BL	S'intègre dans le becquet inférieur 9400 11	<i>9484 05</i> NFP <i>9484 02</i> NFP 9484 04
Xm BL	Sauf avec vitre AR de confort	<i>9484 05</i> NFP
Xm BK		9484 01
Evasion → 07/97	S'intègre dans le becquet 9400 01	9484 04

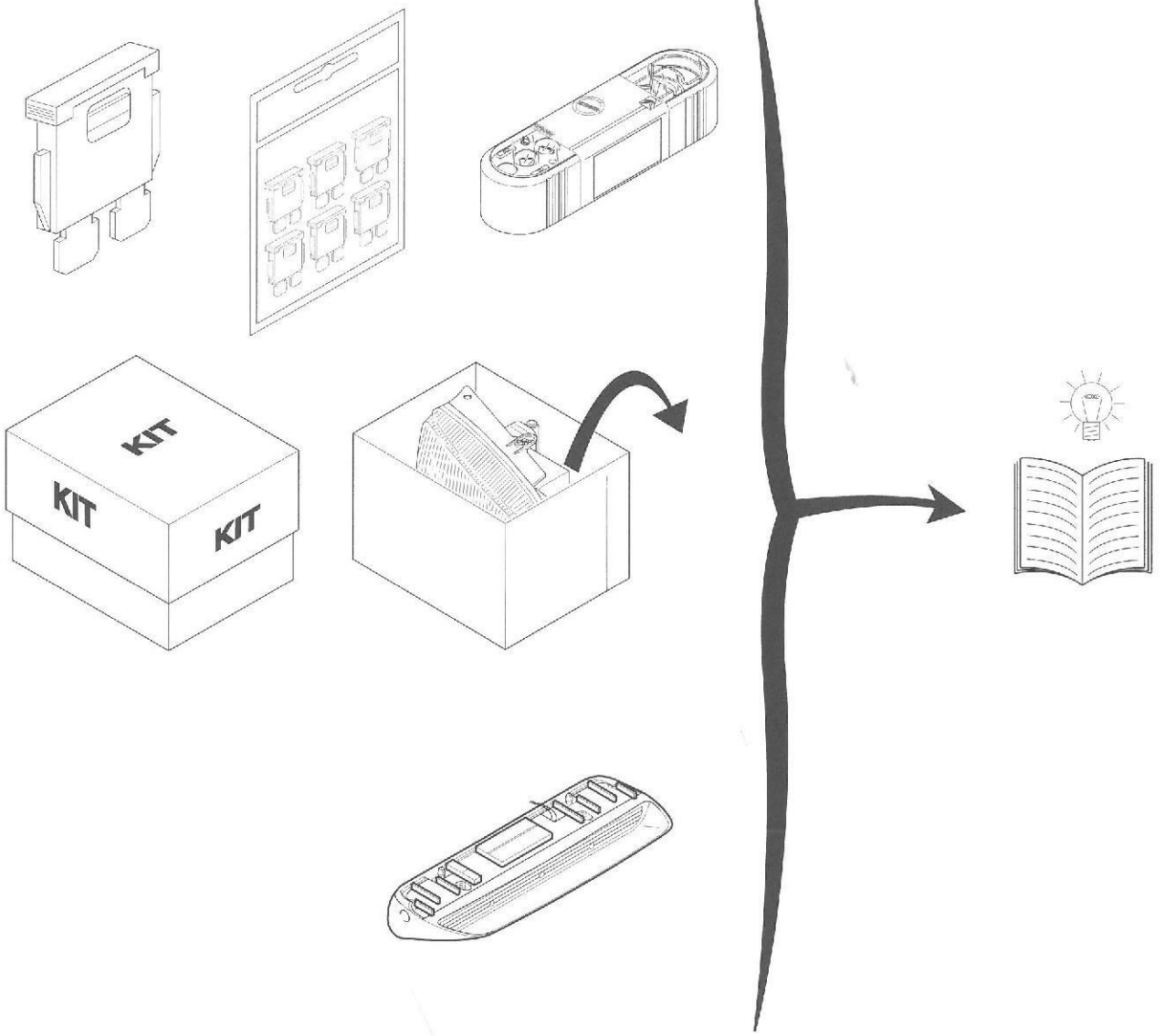


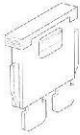
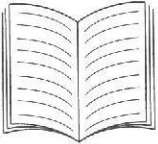

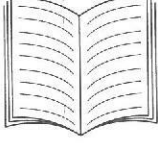
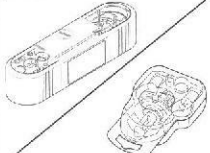
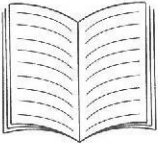
N°		N°		N°	
6204 G9	42	6204 ZX	14	6205 ZL	18
6204 H1	42	6204 ZW	14	6205 ZN	18
6204 H6	36	6205 G9	42	6205 ZX	14
6204 H7	36	6205 H1	42	6205 ZW	14
6204 H8	36-38	6205 H6	36	6206 10	54
6204 H9	36-38	6205 H7	36	6206 11	54
6204 J0	36-38	6205 H8	36-38	6206 15	40
6204 J4	42-50-89-90	6205 H9	36-38	6206 16	40
6204 J6	52	6205 J0	36-38	6206 17	40
6204 J7	52	6205 J4	42-50-89-90	6206 23	40
6204 J8	52	6205 J6	52	6208 10	54
6204 K4	52	6205 J7	52	6208 11	54
6204 L1	52	6205 J8	52	6208 15	40
6204 L3	52	6205 K4	52	6208 16	40
6204 L5	30	6205 L1	52	6208 17	40
6204 L7	50	6205 L3	52	6208 23	40
6204 N5	12	6205 L5	30	6208 26	54
6204 N6	12-88	6205 L7	50	6212 64	54
6204 N8	52	6205 N5	12	6212 65	54
6204 N9	12	6205 N6	12-88	6215 53	41
6204 P6	46	6205 N8	52	6215 55	14
6204 P7	46	6205 N9	12	6216 25	7-11-28-44-52-58 60-62-64-66-67 68-70-72-74-76
6204 Q0	14-16-18	6205 P6	46	6216 26	7-11-21-29-37-39 41-43-44-45-47 49-51-53-55-56 57-59-69-71-73 74-75-76-77-78-79
6204 Q2	50	6205 P7	46	6216 27	7-10-11-13-15-16 17-19-20-21-23-25 27-28-30-31-33-35 36-37-39-41-43 44-45-47-49-50 51-53-55-56-57 58-59-61-63-64 65-66-67-69-74 75-76-77-78-79
6204 R4	22-88	6205 Q2	50	6216 28	7-13-15-17-19-21 23-25-27-29-31-33 35-37-39-41-43-47 49-51-57-60-61-65 67-68-69-70-71 72-73-75-77-79
6204 R5	22	6205 R4	22-88	6216 29	7-53
6204 R6	22	6205 R5	22	6216 30	7-10-12-14-20-22 26-34-44-46-48-50 52-70-72-74-76
6204 R7	22	6205 R6	22	6216 31	7-10-11-12-13-15 14-17-18-19-21-22 23-24-25-26-27-31 32-33-34-35-38-40 42-46-47-48-49-50 52-54-55
6204 R8	22	6205 R7	22	6216 32	7-10-12-13-14-15 16-17-18-19-20-21 22-23-24-25-26-27 28-29-30-31-32-33 34-35-36-37-38-39
6204 R9	32	6205 R8	22		
6204 S0	32	6205 R9	32		
6204 S1	32-89	6205 S0	32		
6204 S4	52	6205 S1	32-89		
6204 S5	52	6205 S4	52		
6204 T7	42	6205 S5	52		
6204 T8	42	6205 T7	42		
6204 W0	26	6205 T8	42		
6204 W1	26	6205 W0	26		
6204 W2	12	6205 W1	26		
6204 W3	12	6205 W2	12		
6204 X2	34	6205 W3	12		
6204 X3	34	6205 W4	26-48		
6204 X4	34	6205 X2	34		
6204 X5	34	6205 X3	34		
6204 X6	24	6205 X4	34		
6204 X7	24	6205 X5	34		
6204 Y2	46	6205 X6	24		
6204 Y8	52	6205 X7	24		
6204 Y9	52	6205 Y2	46		
6204 Z0	52	6205 Y8	52		
6204 Z1	52	6205 Y9	52		
6204 Z6	16	6205 Z0	52		
6204 Z7	16	6205 Z1	52		
6204 ZE	48	6205 Z6	16		
6204 ZF	48	6205 Z7	16		
6204 ZJ	54	6205 ZE	48		
6204 ZK	54	6205 ZF	48		
6204 ZL	18	6205 ZJ	54		
6204 ZN	18	6205 ZK	54		

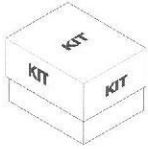
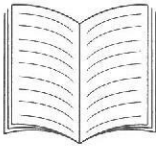

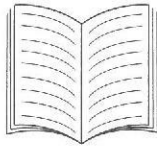
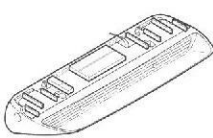
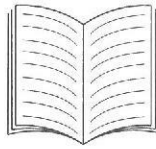
N°		N°		N°	
6216 32 (suite)	40-41-42-43-44-46 47-48-49-50-51-52 53-54-55-56	6340 70	53-55-57	6351 A0	43
6216 33	7-10-20-24-28-30 36-38-42-50-52 88-91	6340 87	11-21-31-33-37 39-43	6351 A1	43
6216 36	7-61-65	6340 92	53	6351 A2	43
6216 38	7-58-62-64	6340 94	45-79	6351 A8	31
6216 39	7-74-76	6340 98	11-29-45-51	6351 A9	21
6216 41	7-10-44-58-60-62 64-66-68-70-72 74-76-78	6340 99	13-23-47	6351 C0	21
6216 47	7-12-14-16-18-20 22-24-26-30-32 34-36-38-40-42 44-48-54-70-74	6340 A1	51	6351 C3	21
6216 52	7-23-25-35-53-55	6340 A2	51	6351 C5	71
6216 56	7-16-18-22-24-34 40-54	6340 A3	13-15-17-23-25 27-35-47-49	6351 C7	53
6216 58	7-34	6340 A5	19-41-43	6351 C8	47-49-51-53-55-57
6216 59	7-24-86	6340 A8	51-53-55	6351 E7	51
6216 64	17	6348 26	57	6351 E9	31
6303 27	42	6350 92	37-39	6351 F0	31
6303 28	42	6350 A6	23-25	6351 F7	13
6303 39	38-89	6350 A8	31-33	6351 F8	43
6303 40	38-89	6350 A9	21	6351 F9	43
6303 41	38	6350 C0	21	6351 G0	13
6303 42	38	6350 C3	71	6351 H0	47
6303 43	52	6350 C4	31-33	6351 H2	47-49
6303 44	52	6350 C7	53	6351 H3	21
6303 55	50	6350 C8	47-49-51-53-55-57	6351 H9	47-49
6303 56	50	6350 E7	51	6351 J1	47-49
6303 59	12	6350 E9	31	6351 J5	23
6303 60	12	6350 F0	31	6351 J6	39
6303 69	32	6350 F7	13	6351 J7	23-25
6303 70	32	6350 H0	47	6351 J8	23-25
6303 75	42-50	6350 H2	47-49	6351 J9	33
6303 76	42-50	6350 H3	21	6351 K0	33
6303 79	46	6350 J1	47-49	6351 K1	33
6303 80	46	6350 J5	23	6351 K2	33
6325 22	56	6350 J7	39	6351 K3	13
6325 30	56	6350 J8	23-25	6351 L0	27
6325 35	20-36	6350 J9	33	6351 L3	43
6325 36	52	6350 K0	33	6351 L4	43
6325 45	12-20-22-30-32 38-42-46-50	6350 K1	33	6351 L8	13
6325 53	44	6350 K2	33	6351 N0	27
6325 59	10-28	6350 K3	13	6351 N3	53
6325 61	24-26-34	6350 L3	43	6351 N5	53
6325 62	12-42-46	6350 L4	43	6351 N6	51
6325 63	32-38	6350 L8	13	6351 N8	35
6325 67	12-22-42-46-50	6350 N0	27	6351 P0	25
6325 74	14-16-18-24-26 34-48	6350 N3	53	6351 P7	35
6325 F1	40	6350 N5	53	6351 P9	35
6325 F3	40	6350 N8	35	6351 Q2	17
6325 F4	54	6350 N9	35	6351 Q3	17
6340 68	57	6350 P0	25	6351 Q4	55
6340 69	53-55-57	6350 P6	35	6351 Q9	41
		6350 P7	35	6351 R3	55
		6350 P9	35	6351 R5	19
		6350 Q3	17	6351 R6	19
		6350 Q4	55	6351 R7	19
		6350 Q9	41	6351 S6	15
		6350 R6	19	6351 S7	15
		6350 R7	19	6371 49	7-12-14-16-18-22 24-26-32-34-38 40-42-46-48-50
		6350 R8	49	6534 JZ	35
		6350 S7	15	6534 KA	35
		6351 99	43	6542 XN	53

N°		N°		N°	
8663 Q4	37	95 618 748	10	95 656 606	21
8663 Q5	37	95 618 749	10	95 656 610	21
5 417 757	67	95 619 020	10	95 656 611	21
5 433 521	59	95 619 021	10	95 659 431	20
5 433 522	59	95 619 034	28	95 659 432	20
5 474 432	63	95 619 035	28	95 659 511	20
5 486 455	76	95 619 036	29	95 659 512	20-88
5 488 804	68	95 619 037	29	95 659 627	10
5 489 166	68	95 619 508	10	95 659 628	10
5 503 138	44-58-60-62-64 66-68-70-72-74 76	95 619 509	10	95 659 631	11
5 505 727	58-60	95 619 656	28	95 659 632	11
75 520 853	65	95 619 657	28	95 659 633	11
94 06 340 660	45	95 623 247	58-60	95 659 634	11
95 494 284	76	95 623 250	58-60	95 659 635	10
95 494 285	76	95 624 928	10-28-76	95 659 636	10
95 494 778	29-75-77	95 624 929	10-28-76	95 661 885	20
95 535 308	44-70	95 624 953	79	95 661 886	20
95 535 309	44-70	95 625 002	10	95 661 887	37-39
95 535 310	70	95 625 003	10	95 661 888	37-39
95 535 311	70	95 630 217	45	95 661 889	37-39
95 539 463	62-64-66	95 630 219	45	95 661 890	37-39
95 543 912	77	95 630 220	45	95 667 947	30
95 543 913	77	95 637 414	36	95 667 948	30
95 545 591	79	95 637 415	36	95 667 949	30
95 554 100	78	95 643 741	10	95 667 950	30
95 564 182	76	95 643 742	10	95 667 956	30
95 564 183	76	95 650 969	36	95 667 957	30
95 567 780	71	95 650 970	36	95 668 015	30
95 572 784	76	95 650 971	36	95 668 016	31
95 572 785	76	95 650 972	36	95 668 017	31
95 587 053	29	95 650 973	36	95 668 018	31
95 587 063	28	95 650 974	36	95 668 019	31
95 587 064	28	95 652 973	37-39	95 668 020	31
95 587 065	28	95 652 974	37-39	95 668 021	31
95 587 066	28	95 652 976	37-39	95 668 022	31
95 598 572	56	95 652 977	37-39	95 668 023	30
95 598 573	56	95 653 141	44	95 668 024	30
95 598 574	56	95 653 142	44	95 563 394 JE	59
95 604 092	78	95 653 143	44	95 563 395 JE	59
95 604 093	78	95 653 144	44	96 023 419	56
95 611 064	58	95 653 961	29	96 023 420	56
95 611 065	58	95 653 962	29	96 023 421	56
95 611 507	76	95 653 963	29	96 023 422	56
95 611 508	76	95 653 964	29	96 023 423	56
95 611 510	76	95 653 972	77	96 023 424	56
95 611 511	76	95 653 973	77	96 023 425	56
95 614 803	71	95 654 069	44	96 023 426	56
95 614 884	44-70	95 654 070	44	96 050 127	29
95 614 885	44-70	95 656 446	29	96 055 817	37-39
95 616 035	76	95 656 447	29	96 168 248	37-39
95 616 036	76	95 656 541	20	96 168 249	37-39
95 616 751	29	95 656 542	20	AK 544 143 A	61-67
95 616 752	29	95 656 543	20	AY 541 219 A	62-64
95 616 753	29	95 656 544	20	AY 575 011 A	62-64
95 616 754	29	95 656 545	20	AY 575 012 A	62-64
95 618 746	10	95 656 546	20	AY 575 252 A	62-64
95 618 747	10	95 656 547	20	AY 575 253 A	62-64
		95 656 548	20	HY 575 202 A	61-67
		95 656 605	21	ZF 05 948 274	57

N°		N°		N°	
ZF 05 948 275	57				
ZF 07 567 804	57				
ZF 07 567 805	57				
ZF 07 567 806	57				
ZF 07 567 807	57				
ZF 07 567 810	57				
ZF 07 567 811	57				
ZF 07 660 569	56				
ZF 07 660 570	56				
ZF 07 660 573	56				
ZF 07 660 574	56				
ZF 07 660 577	56				
ZF 07 660 578	56				
ZF 07 660 579	56				
ZF 07 660 580	56				
ZF 07 660 581	56				
ZF 07 660 582	56				
ZF 07 661 821	56				
ZF 07 661 822	56				
ZF 07 698 773	53-55-57				
ZF 07 698 774	53-55-57				



					
6997 L0	82	9485 01	83	6216 52	86
6997 L1	82			6216 59	86
6997 L2	82			9485 05	86
6997 L3	82			9485 07	86
6997 L4	82			9485 09	86
6997 L5	82			9485 14	86
6997 L6	82			9485 15	86
6997 N0	82			9485 17	86
6997 N1	82			9485 18	86
6997 N2	82			9485 19	86
6997 N3	82			9485 20	86
6997 N4	82			9485 21	86
6997 N5	82			9485 22	86
6997 N6	82			9485 23	86
6997 N8	82			ZC 9 885 043 U	86
6997 N9	82			ZC 9 885 044 U	86
6997 P0	82			ZC 9 885 096 U	86
6997 P1	82				
6997 P2	82				
6997 P3	82				
6997 P4	82				
6997 P5	82				
6997 P6	82				
6997 P7	82				
6997 P8	82				
6997 P9	82				
6997 Q0	82				
6997 Q1	82				
6997 Q2	82				
6997 Q3	82				
6997 Q4	82				
6997 Q5	82				
6997 Q6	82				
6997 Q7	82				
6997 Q8	82				
6997 Q9	82				
6997 R0	82				
6997 R1	82				
6997 R2	82				
6997 R3	82				
6997 R4	82				
6997 R5	82				
6997 R6	82				
6997 R7	82				
6997 R8	82				
6997 R9	82				
6997 S0	82				
6997 S2	82				
6997 S3	82				
6997 S4	82				

					
9482 01	89	6204 J4	89-90	9484 01	94
9482 03	90	6204 N6	88	9484 03	94
9482 07	88	6204 R4	88	9484 04	94
9482 08	90	6204 S1	89	9484 06	94
9482 09	88	6205 J4	89-90		
9482 10	89	6205 N6	88		
9482 12	90	6205 R4	88		
9482 13	88	6205 S1	89		
9482 20	88	6216 33	88-91		
9482 32	90	6253 68	90		
9482 35	88	6253 73	88		
9482 36	90	6303 39	89		
9482 38	90	6303 40	89		
9482 40	88	6552 91	90		
9482 42	90	6552 AC	89		
9682 E4	90	6552 CC	89		
ZC 9 875 557 U	88	6552 HQ	89		
ZC 9 875 960 U	88	6552 QF	90		
ZC 9 885 085 U	89	6554 31	90		
ZC 9 885 169 U	89	6555 33	89-90		
ZC 9 885 176 U	89	8236 G9	89		
		9482 04	90		
		9482 05	90		
		9682 J6	90		
		9682 J7	90		
		9682 J8	90		
		95 624 929	88		
		95 659 512	88		
		97 523 100	91		
		95 639 976 ZL	88-91		
		96 028 350 ZL	88		
		96 106 130 ZL	89		
		96 109 472 ZL	88		
		96 134 916 ZL	88		
		ZC 9 875 496 U	91		
		ZC 9 875 559 U	91		
		ZC 9 875 969 U	88-90		
		ZC 9 875 970 U	88-90		
		ZC 9 885 063 U	88-90		
		ZC 9 885 064 U	88-90		
		ZC 9 885 123 U	89		
		ZC 9 885 124 U	89		
		ZC 9 885 174 U	89		

 Pour connaître les dernières dates de mise à jour, voir DOC FLASH : DIF/DOC/MKSP

DROITS DE PROPRIÉTÉ

"Les droits de propriété intellectuelle relatifs aux informations techniques contenues dans cette brochure appartiennent exclusivement au Constructeur. Toute reproduction et/ou diffusion de tout ou partie de ces informations sont interdites sans autorisation écrite préalable du Constructeur."
"Les informations techniques contenues dans la présente documentation sont destinées exclusivement aux professionnels de la réparation automobile. Dans certains cas, ces informations peuvent concerner la sécurité des véhicules. Elles seront utilisées par les réparateurs automobiles auxquels elles sont destinées, sous leur entière responsabilité, à l'exclusion de celle du Constructeur."
"Les informations techniques figurant dans cette brochure peuvent faire l'objet de mises à jour en fonction de l'évolution des caractéristiques des modèles de chaque gamme.
Nous invitons les réparateurs automobiles à se mettre en rapport périodiquement avec le Constructeur/avec son réseau, pour se procurer les mises à jour nécessaires."


F

 To see the latest update refer to DOC FLASH : DIF/DOC/MKSP

PROPERTY RIGHTS

"The intellectual copyrights relating to the technical information contained in this brochure are the exclusive property of the Manufacturer. Any reproduction and/or distribution of all or part of this information is forbidden without the Manufacturer's preliminary written authorisation."
"The technical information contained in this documentation is intended exclusively for automobile repair professionals. In certain cases, the information may relate to vehicle safety.
It will be used by the automobile repairers to whom it is addressed, on their full responsibility, to the exclusion of the Manufacturer's liability."
"The technical information that figures in this brochure may be updated in accordance with the changing features of models in each range. We would request automobile repairers to get in touch with the Manufacturer/the network at regular intervals, to obtain the necessary updates."


GB

 Para conocer las últimas fechas de puesta al día, ver DOC FLASH : DIF/DOC/MKSP

DERECHOS DE PROPIEDAD

"Los derechos de propiedad intelectual relativos a las informaciones técnicas que figuran en este folleto pertenecen exclusivamente al Constructor. Se prohíbe toda reproducción y/o difusión de la totalidad o parte de estas informaciones sin autorización previa y por escrito del Constructor."
"Las informaciones técnicas que figuran en la presente documentación están destinadas exclusivamente a los profesionales de la reparación de automóviles. En ciertos casos, pueden afectar a la seguridad de los vehículos. Serán utilizadas por los reparadores de automóviles, a quienes están destinadas, bajo su entera responsabilidad, excluyéndose la del Constructor."
"Las informaciones técnicas que figuran en este folleto pueden ser objeto de actualizaciones en función de la evolución de las características de los modelos de cada gama.
Invitamos a los reparadores de automóviles a ponerse en contacto periódicamente con el Constructor/con su red, para conseguir las actualizaciones necesarias."


E

 Para saber as últimas datas de actualizaçao, ver DOC FLASH : DIF/DOC/MKSP

DIREITOS DE PROPRIEDADE

"Os direitos de propriedade intelectual relativos às informações técnicas contidas nesta brochura pertencem exclusivamente ao Construtor. Qualquer reprodução e/ou difusão da totalidade ou parte destas informações são proibidas sem a autorização prévia e escrita do Construtor."
"As informações técnicas contidas na presente documentação destinam-se exclusivamente aos profissionais da reparação automóvel. Em certos casos, estas informações podem referir-se à segurança dos veículos. Serão utilizadas pelos reparadores automóvel a que se destinam, sob a sua total responsabilidade, excluindo a responsabilidade do Construtor."
"As informações técnicas que figuram nesta brochura podem ser objecto de actualizações consoante a evolução das características dos modelos de cada gama.
Os reparadores automóvel são convidados a entrarem periodicamente em contacto com o Construtor/com a sua rede, para obterem as actualizações necessárias."

P

 Die Daten der aktuellen Ausgaben finden Sie in : DOC FLASH : DIF/DOC/MKSP

EIGENTUMSRECHTE

"Die Rechte auf geistiges Eigentum in Verbindung mit den in der vorliegenden Broschüre enthaltenen technischen Informationen stehen ausschließlich dem Hersteller zu. Jede vollständige oder teilweise Reproduktion und/oder Verbreitung dieser Informationen sind ohne vorherige schriftliche Genehmigung des Herstellers verboten."
"Die in der vorliegenden Dokumentation enthaltenen technischen Informationen sind ausschließlich für Autoreparaturfachleute bestimmt. In einigen Fällen können diese Informationen die Sicherheit der Fahrzeuge betreffen. Sie werden von den Kraftfahrzeughandwerkern, für die sie bestimmt sind, in ihrer eigenen Verantwortung benutzt, unter Ausschluß der Verantwortung des Herstellers."
"Die in dieser Broschüre enthaltenen technischen Informationen können je nach Fortentwicklung der verschiedenen Modelle in jeder Produktreihe aktualisiert werden.
Wir fordern die Kraftfahrzeughandwerker auf, sich regelmäßig an den Hersteller/an sein Vertriebsnetz zu wenden, um sich die erforderlichen Aktualisierungen zu beschaffen".


D

 Per conoscere l'ultima data agglomerato vedere DOC FLASH : DIF/DOC/MKSP

DIRITTI DI PROPRIETÀ

"I diritti di proprietà intellettuale riguardanti le informazioni tecniche contenute nel presente manuale appartengono esclusivamente al Costruttore. Qualsiasi riproduzione e/o diffusione di tutto o parte di queste informazioni sono vietate senza autorizzazione preventiva scritta del Costruttore."
"Le informazioni tecniche contenute nella presente documentazione sono destinate esclusivamente agli autoriparatori. In alcuni casi, queste informazioni possono riguardare la sicurezza dei veicoli. Esse verranno utilizzate dagli autoriparatori ai quali esse sono destinate sotto la loro piena responsabilità, ad esclusione di quella del Costruttore."
"Le informazioni tecniche contenute nel presente manuale possono essere oggetto di aggiornamenti in funzione dell'evoluzione delle caratteristiche dei modelli di ogni gamma.
Invitiamo gli autoriparatori a mettersi in contatto periodicamente con il Costruttore/la sua rete, per procurarsi gli aggiornamenti necessari."

I

 Voor de laatste versiedatum, zie DOC FLASH : DIF/DOC/MKSP

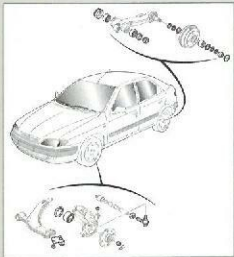
EIGENDOMSRECHT

"Het individuele eigendomsrecht betreffende technische informatie die in deze brochure staat vermeld behoort exclusief aan de Fabrikant. Alle reproductie en/of verspreiding van alles of een gedeelte van deze informatie is verboden zonder voorafgaande, schriftelijke toestemming van de Fabrikant."
"De technische informatie die in deze documentatie staat vermeld is alleen bestemd voor vakmensen in de branche van de automobielreparatie. In bepaalde gevallen kan deze informatie betrekking hebben op de veiligheid van de wagens. Deze wordt gebruikt door automobielreparateurs waarvoor zij is bestemd, onder hun volledig verantwoordelijkheid, waardoor die van de Fabrikant vervalt."
"De technische informatie die in deze brochure staat vermeld kan onderhevig zijn aan aanvullingen als gevolg van een ontwikkeling in de technische gegevens van de modellen van elke serie.
Wij vragen de automobielreparateurs zich regelmatig met de Fabrikant of zijn netwerk in verbinding te stellen, om deze noodzakelijke aanvullingen te verkrijgen."

NL

ROULEMENTS
BEARINGS
RODAMIENTOS
KUGELLAGER
CUSCINETTI
LAGERS

CAT. 14.755



CITROËN

EDITION 1998

RETROVISEURS EXTERIEURS
DOOR MIRRORS
RETROVISORES EXTERIORES
AUSSERSPIEGEL
RETROVISORE ESTERNO
ZUSPIEGEL

CAT. 14.760



08/98

VITRAGE
GLASS
ACRISTALAMENTO
VIDROS
SCHEIBEN
VETRAIA
RUITEN

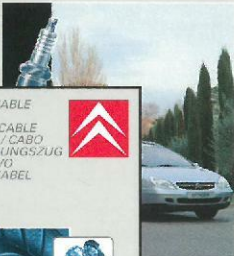
CAT. 14.765



03/2003

BOUGIES
PLUGS
BUJIAS
VELAS
KERZEN
CANDELE
BOUGIES

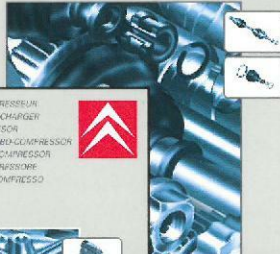
CAT. 14.755



10/2001

TRANSMISSION
DRIVESHAFT
TRANSMISSÃO
GELENKWELLE
TRASMISSIONE
AANDRIJFAS

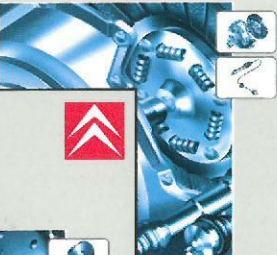
CAT. 14.740



04/2002

EMBRAYAGE COMPLET / CABLE
CLUTCH / CABLE
CONJUNTO EMBRAGUE / CABLE
EMBRAGAGEM COMPLETA / CABO
KUPPLUNGSSATZ / KUPPLUNGZUG
FRIZIONE COMPLETA / CAVO
COMPLETE KOPPELING / KABEL

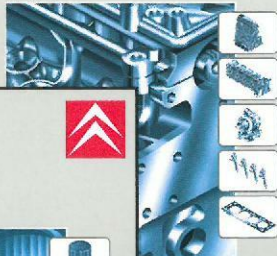
CAT. 14.758



04/2002

MOTEUR - CLASSE TURBOCOMPRESSEUR
ENGINE - CYLINDER HEAD - TURBO CHARGER
MOTOR - CILINDRA - TURBO COMPRESSOR
MOTOR - CABEÇA DE MOTOR - TURBO COMPRESSOR
MOTOR - ZYLINDERKOPF - TURBOCOMPRESSOR
MOTOR - TESTATA - TURBO COMPRESSORE
MOTOR - ZYLINDERKOPF - TURBO COMPRESSO

CAT. 14.784



09/2002

FREINAGE
BRAKES
FREINADO
TRAVÕES
BREMSSE
FRENATA
REMDELEN

CAT. 14.777



10/2002

CITROËN

FILTRATION
FILTERS
FILTROS
FILTRACÃO
FILTER
FILTRAGGIO
FILTERS

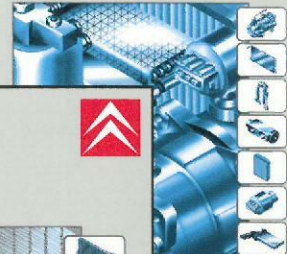
CAT. 14.749



11/2002

CLIMATISATION
AIR CONDITIONING
CLIMATIZACION
AR CONDICIONADO
KLIMAANLAGE
CLIMATIZZAZIONE
AIRCONDITIONING

CAT. 14.761



05/2003

ALTERNATEUR & DEMARTEUR EQUIPE STANDARD
FACTORY EQUIPMENT ALTERNATOR & STARTER MOTOR
CARGO ESTÁNDAR ALTERNADOR & MOTOR DE ARRANQUE
ALTERNADOR & MOTOR DE ARRANQUE PREINSTALADO
WERKS AUSVALEICH GENERATOR & ANLASSER
NORMALEQUIPTE STANDARD ALTERNATOR & MOTORCIVIL
APPARATEVO
FABRICEKIPAL DYNAMO & START MOTOR

CAT. 14.747



05/2003

RADIATEURS
RADIATORS
RADIADORES
RADIADORES
WASSERKÜHLER
RADIATORI
VANUIT

CAT. 14.783



06/2003

COURROIE
BELT
CORREA
CORREA
KELTRIEMEN
CINGHIA
RIEM

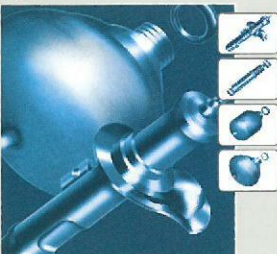
CAT. 14.764



09/2003

SUSPENSION
SUSPENSION
SUSPENSION
SUSPENSÃO
FEDERUNG
SOSPENSIONE
VERING

CAT. 14.746

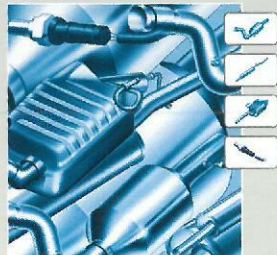


07/2002

CITROËN

ECHAPPEMENT
EXHAUST
ESCAPE
AUSPUFFANLAGE
SICARICO
LITLATEN

CAT. 14.719



08/2002

CITROËN



CITROËN

Automobiles CITROËN - Siège social : Immeuble Colisée III - 12, rue Fructidor - 75835 Paris Cedex 17 France - Tél. : 01 58 79 79 79
www.citroen.fr - S.A. au capital de 16 000 000 euros - R.C.S. Paris 642 050 199 - Siret 642 050 199 00917 - APE 741 J

DIRECTION DES SERVICES ET PIÈCES CITROËN